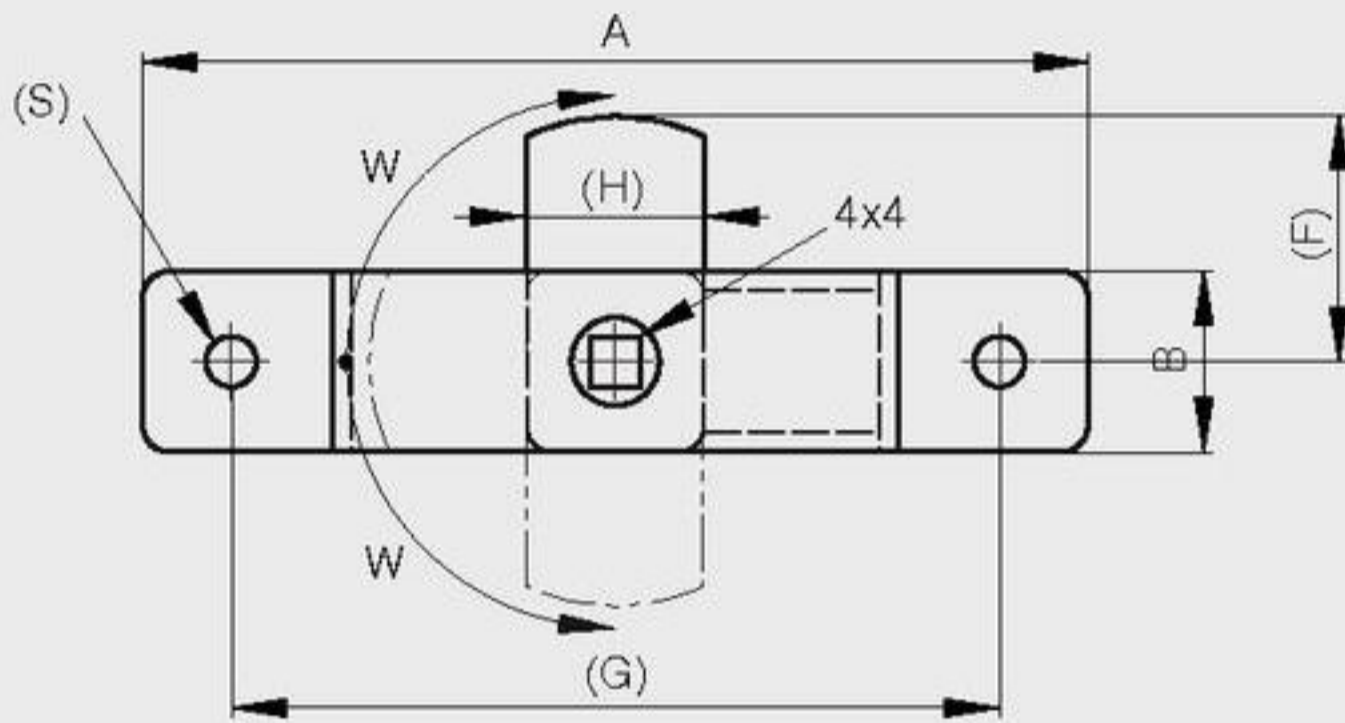


**Budget latches**

A	B	C	D	E	F	G	H	S	W	part number	material	finish	weight
75	14	7	3	2.5	20	61	14	3.6	90°	16-7-3288	steel	zinc plated	32.5g
85	16	8	3	3	23	66	16	3.6	90°	16-7-3289	steel	zinc plated	45g



**Key for part numbers 16-7-3288 and 16-7-3289**

A	B	part number	material	finish	weight
59	21.5	16-7-3313	steel	zinc plated	13g

