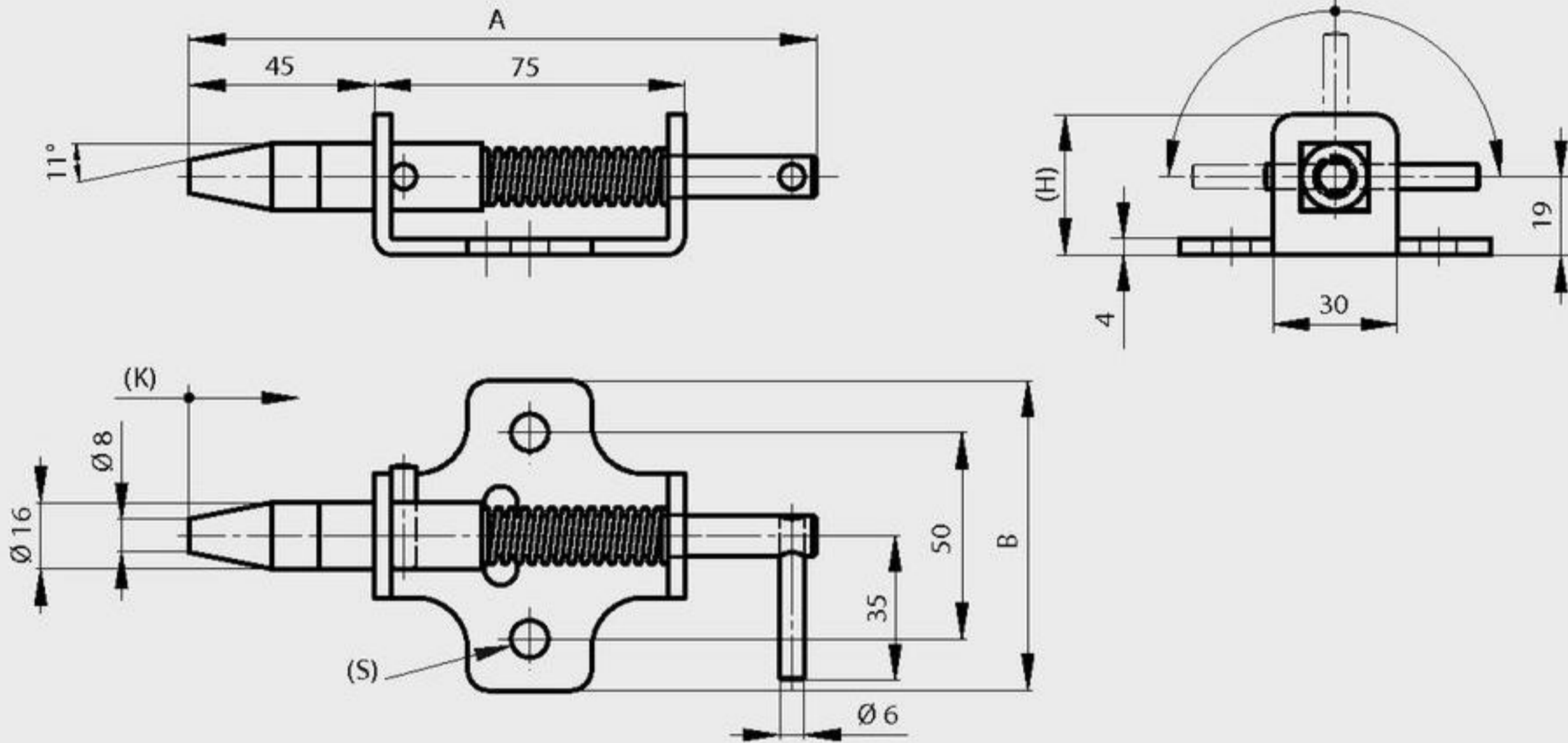


Springloaded bolt with locking system

Heavy duty range

A	B	H	K	S	part number	material	finish	weight
152	75	34	20	9	16-1-4034	steel	zinc plated	340g



Bolt with locking system

new!

Stop when open. Heavy duty range.

A	B	K	part number	material	finish	weight
132	50	17	16-1-9007	steel	zinc plated	172g

