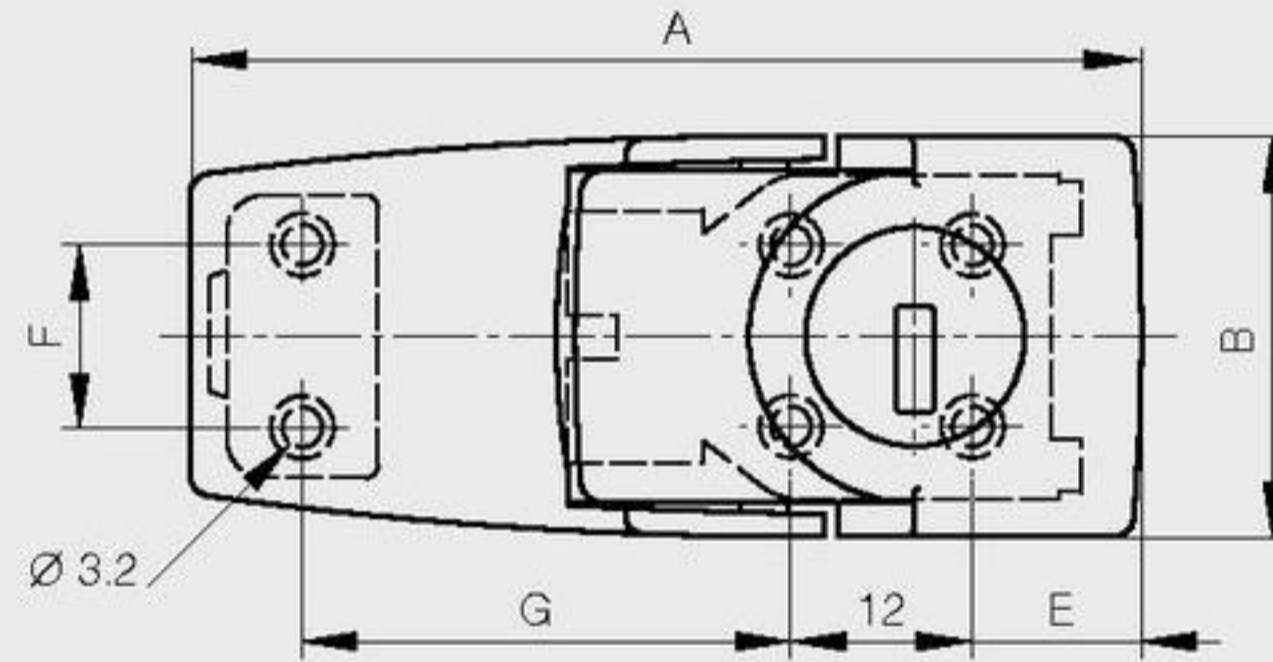
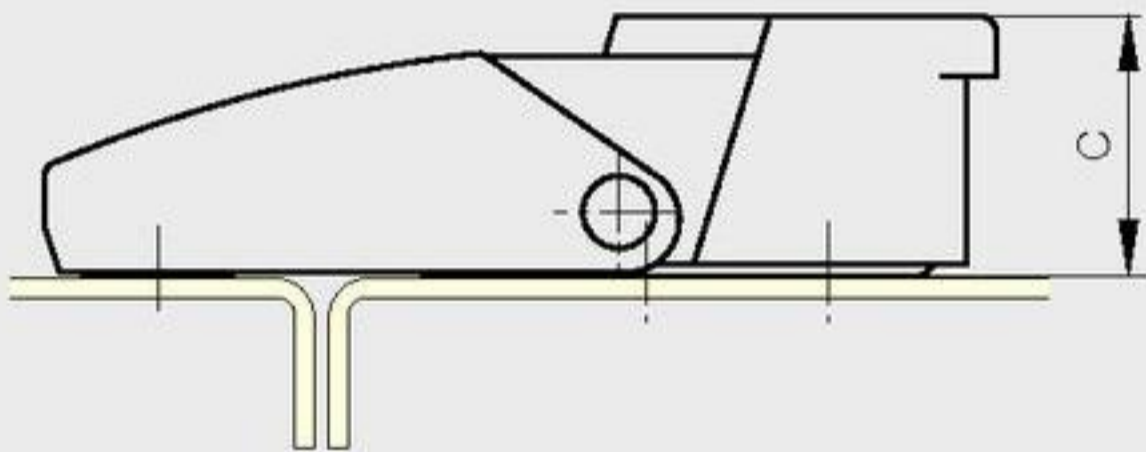


Zinc die-cast toggle latches with lockable options

new!

Available with or without keylock options.
 Strike included.

A	B	C	E	F	G	note	part number	material	finish	weight
64.5	26.5	17.3	13	12	30	with key	16-1-9003	zinc die-cast	black	72g
64.5	26.5	17.3	13	12	30	without key	16-1-9004	zinc die-cast	black	72g
76	32	21	16.8	16	35.5	with key	16-1-9001	zinc die-cast	black	118g
76	32	21	16.8	16	35.5	without key	16-1-9002	zinc die-cast	black	118g



new!

Strike included

A	B	C	E	F	G	part number	material	finish	weight
92	36	25	12	12	28-32	16-1-9005	zinc die-cast	black	168g

