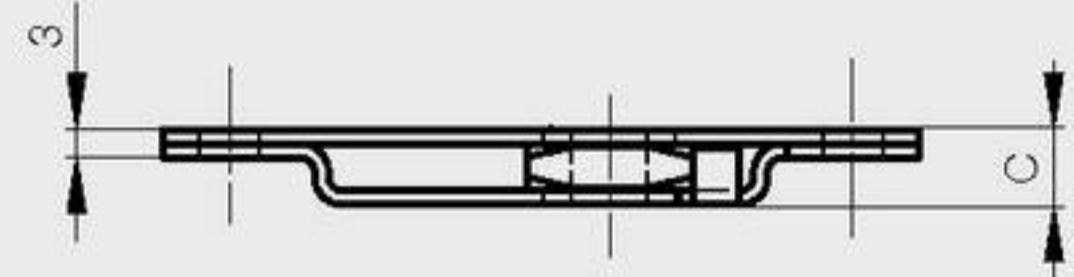
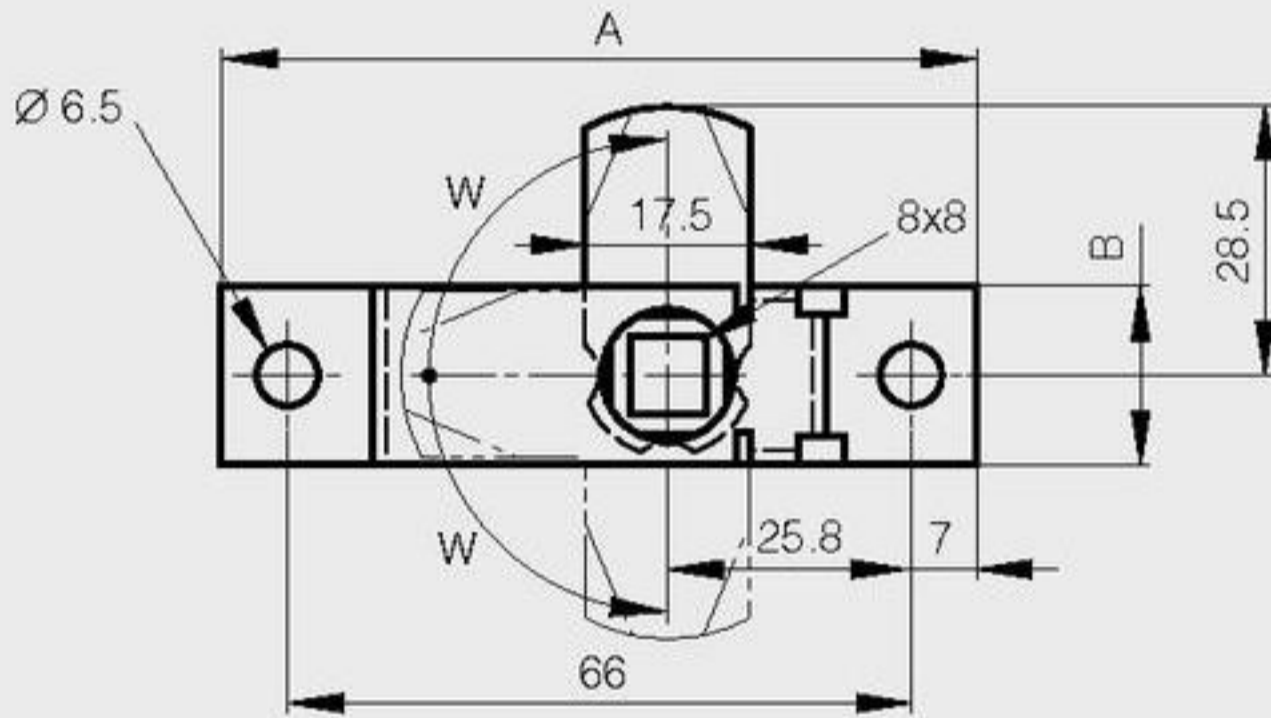


Budget latches

Not handed
 3 indend positions

A	B	C	W	part number	material	finish	weight
80	19	8	90°	16-1-4085	steel	zinc plated	63g
80	19	8	90°	16-1-4086	304 stainless steel	raw	63g



Plastic budget latch with strike plate

Not handed

A	B	C	W	part number	material	finish	weight
83	22	14	90°	16-7-4012	polyamide	black	32g

