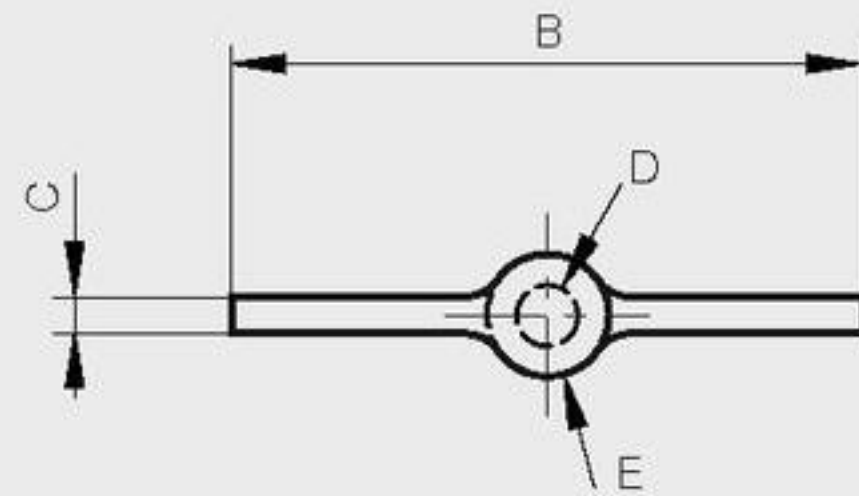
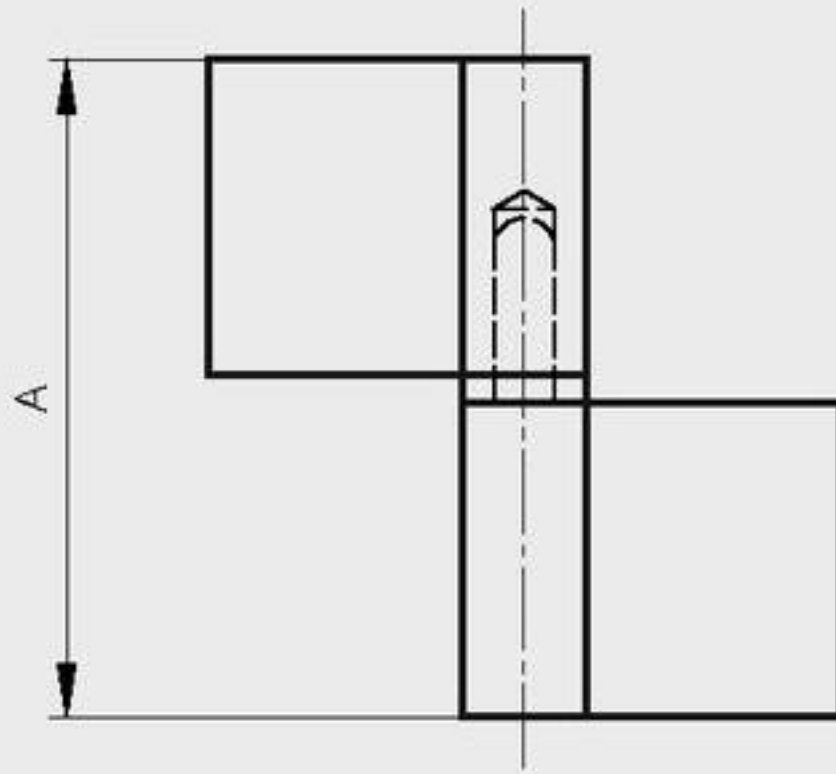


Flag hinges - steel pin - brass washer

Fixed pin

A	B	C	D	E	part number	material	finish	weight
63	80	4.2	8	15.5	14-7-3634	steel	raw	150g
83.5	80	5.1	8	16	14-7-3635	steel	raw	250g
104	92	5.5	9	17	14-7-3636	steel	raw	390g
124	108	6.5	10	19	14-7-3637	steel	raw	600g
144	108	6.5	10	19	14-7-3638	steel	raw	720g



Fixed pin

A	B	C	D	E	note	part number	material	finish	weight
83.5	80	5.1	8	16	type 1 symmetric not shown	14-7-3641	steel	raw	250g
83.5	80	5.1	8	16	type 2 as shown below	14-7-3642	steel	raw	250g
104	92	5.5	9	17	type 1 symmetric not shown	14-7-3643	steel	raw	390g
104	92	5.5	9	17	type 2 as shown below	14-7-3644	steel	raw	390g

