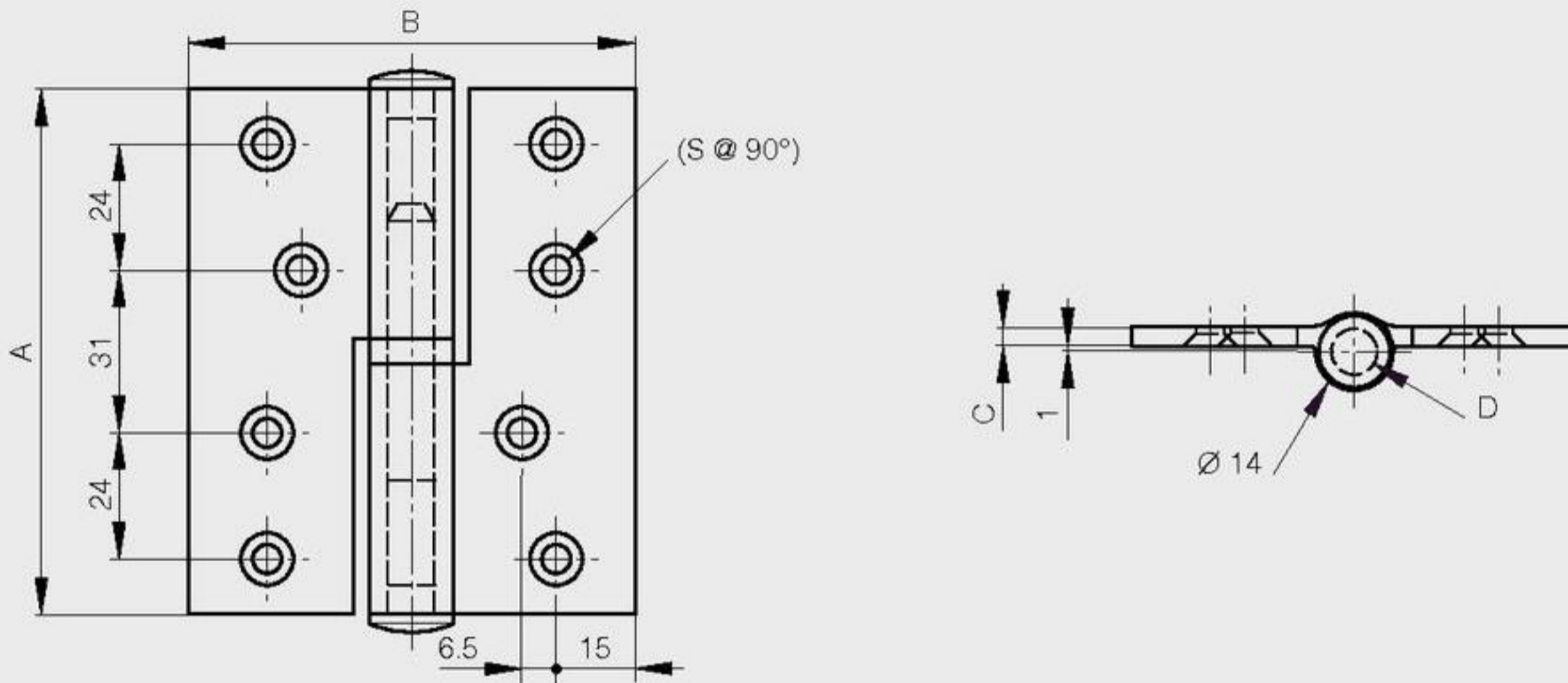


**Aluminium weld-on hinges 100 x 85 mm**

Zinc plated steel pin  
 Nylon sleeve

A	B	C	D	S	note	part number	material	finish	weight
100	85	3.5	9	5.5	type 1 symmetric not shown	14-7-3626	alu	anodised silver	99g
100	85	3.5	9	5.5	type 2 as shown below	14-7-3627	alu	anodised silver	99g



**Aluminium weld-on hinges 100 x 100 mm**

Zinc plated steel pin  
 Nylon sleeve

A	B	C	D	S	note	part number	material	finish	weight
100	100	4	9	6	type 1 symmetric not shown	14-7-3628	alu	anodised silver	106g
100	100	4	9	6	type 2 as shown below	14-7-3629	alu	anodised silver	106g

