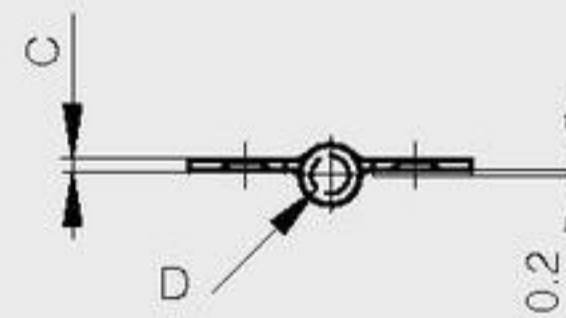
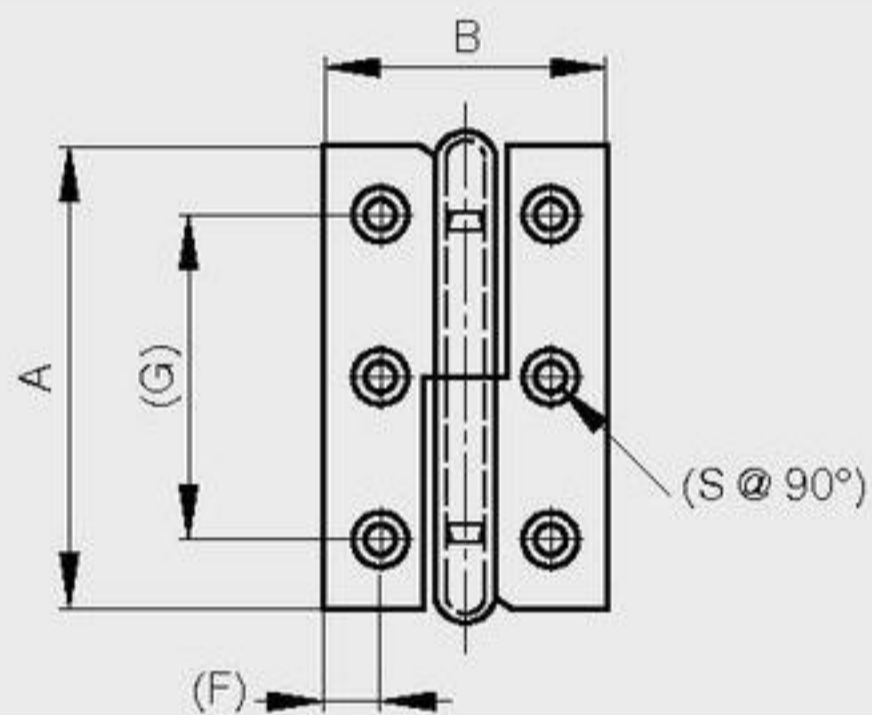


Lift-off hinges

Drilled or undrilled versions

A	B	C	D	F	G	S	note	part number	material	finish	weight
50	30	1.2	4				type 1 symmetric not shown / undrilled	14-7-3378	steel	raw	21g
50	30	1.2	4				type 2 as shown below / undrilled	14-7-3379	steel	raw	21g
60	40	1.5	4				type 1 symmetric not shown / undrilled	14-7-3380	steel	raw	36g
60	40	1.5	4				type 2 as shown below / undrilled	14-7-3381	steel	raw	36g
50	30	1.2	4	6	34	2.5	type 1 symmetric not shown / drilled	14-7-3394	steel	nickel plated	20g
50	30	1.2	4	6	34	2.5	type 2 as shown below / drilled	14-7-3395	steel	nickel plated	20g



A	B	C	D	F	G	S	note	part number	material	finish	weight
30	40	1.2	4	7.7	15	3	type 1 symmetric not shown	14-7-3390	steel	nickel plated	16g
30	40	1.2	4	7.7	15	3	type 2 as shown below	14-7-3391	steel	nickel plated	16g

