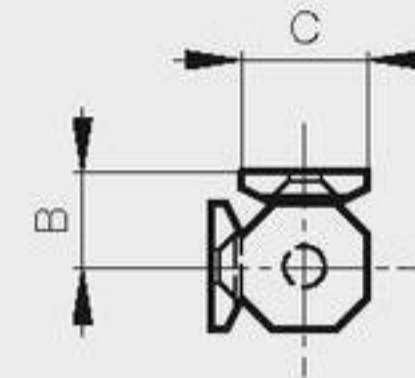
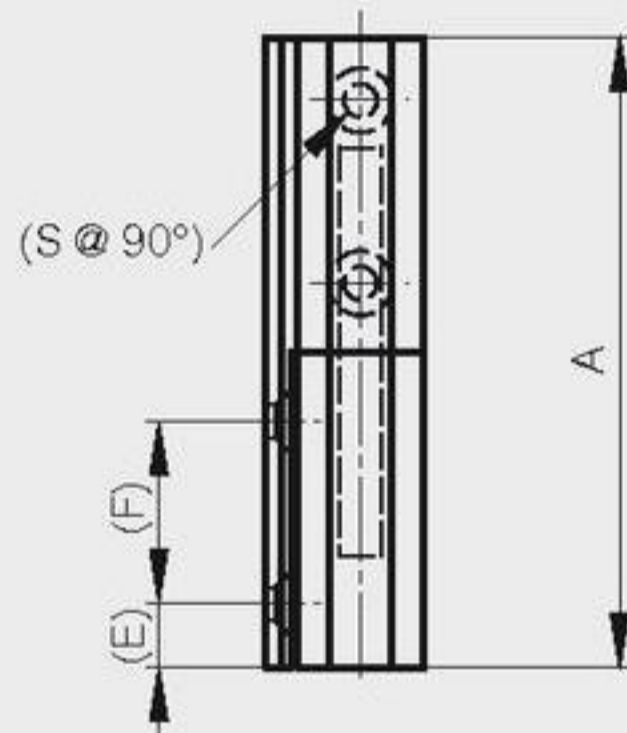


**Brass lift-off hinges**

Raw steel pin

A	B	C	E	F	S	part number	material	finish	weight
40	7.5	10	5	11.5	2.5	14-7-3316	brass	chrome plated	36.7g
40	7.5	10	5	11.5	2.5	14-7-3317	brass	polished	36.7g
50	7.5	10	5	14.5	2.5	14-7-3318	brass	chrome plated	46.6g
50	7.5	10	5	14.5	2.5	14-7-3319	brass	polished	46.6g
50	12	16	6	12.5	5	14-7-3320	brass	chrome plated	116g
50	12	16	6	12.5	5	14-7-3321	brass	polished	116g



**Brass lift-off hinges**

Raw steel pin

A	B	C	E	F	S	part number	material	finish	weight
40	7	10	4.5	10	2.5	14-7-3310	brass	chrome plated	36.5g
40	7	10	4.5	10	2.5	14-7-3311	brass	polished	36.5g
50	7.5	10	5	14	2.5	14-7-3313	brass	chrome plated	52g
50	7.5	10	5	14	2.5	14-7-3314	brass	polished	52g

