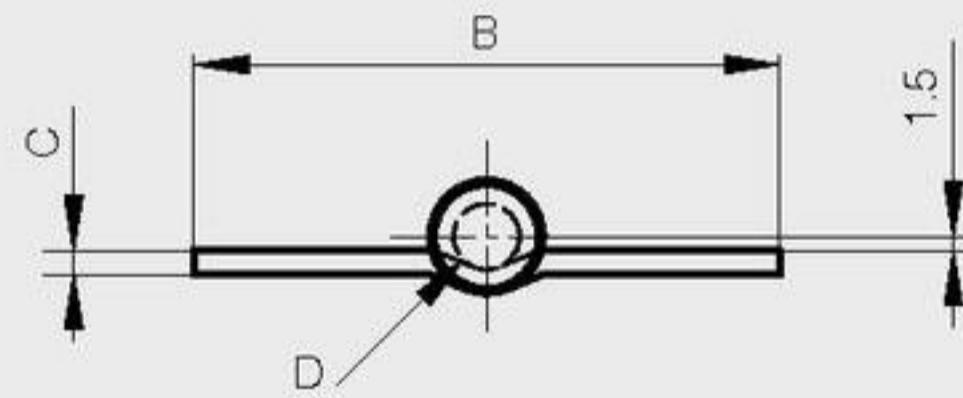
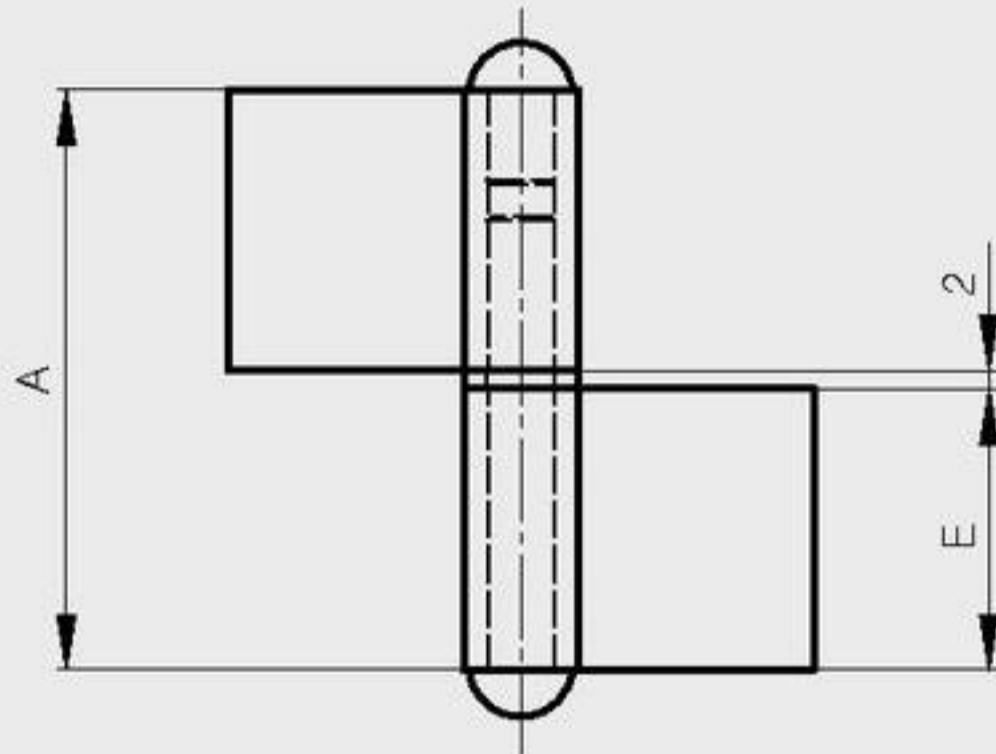


### Flag hinge with washer

Flag hinge with brass washer

A	B	C	D	E	note	part number	material	finish	weight
62	62	2.5	7	30	type 2 as shown below	12-1-3634	steel	raw	87g
62	62	2.5	7	30	type 1 symmetric not shown	12-1-3635	steel	raw	87g



### Flag hinge without washer

A	B	C	D	E	part number	material	finish	weight
60	40	1.5	5.3	30	12-1-3303	steel	raw	38g
80	40	1.5	5.3	40	12-1-3849	steel	raw	51g
80	50	2	6	40	12-1-3304	steel	raw	74g
60	40	1.5	5.3	30	12-1-3769	304 stainless steel	raw	38g
80	50	2	6	40	12-1-3370	304 stainless steel	raw	74g

