

4-270 Hinge Pr01 270°

for nested door

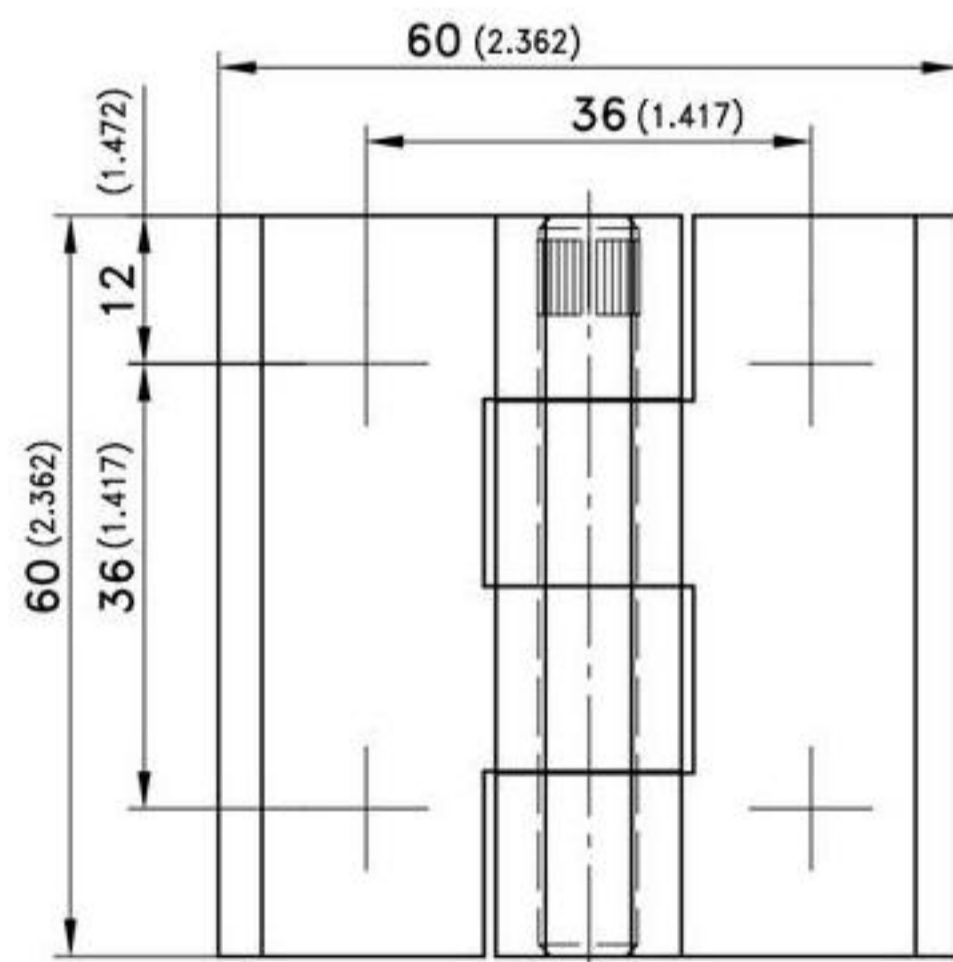
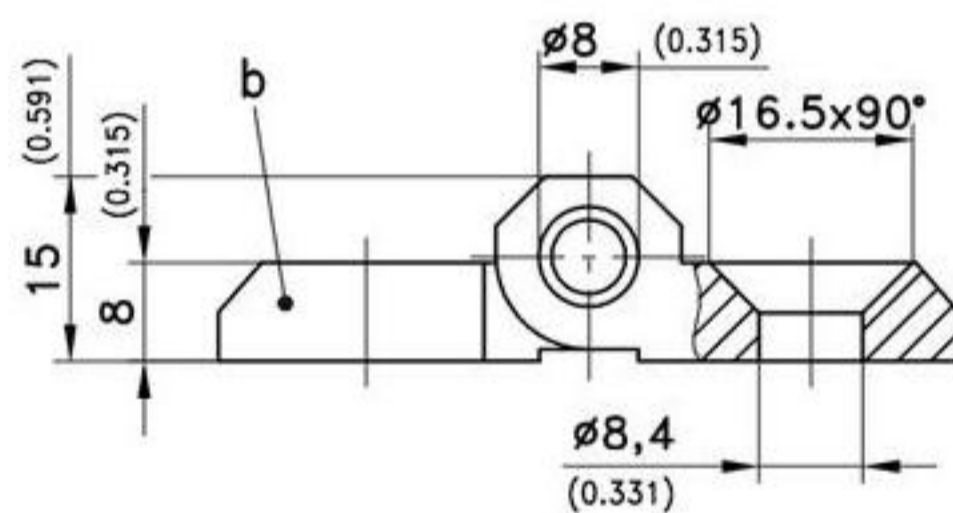
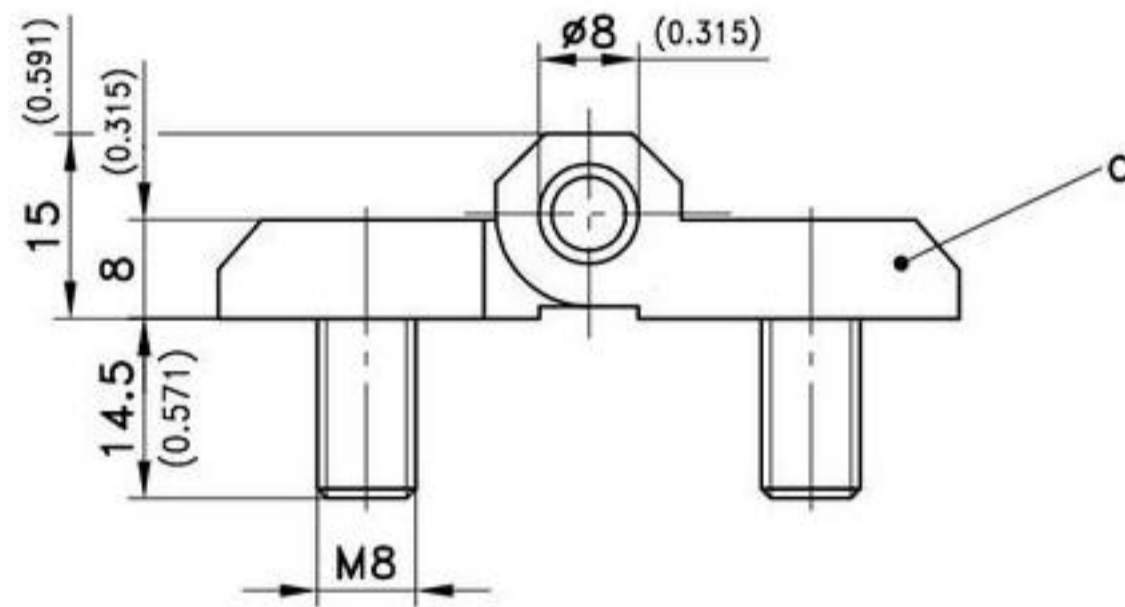


Screw-on Hinge with or without grounding/earthing device.

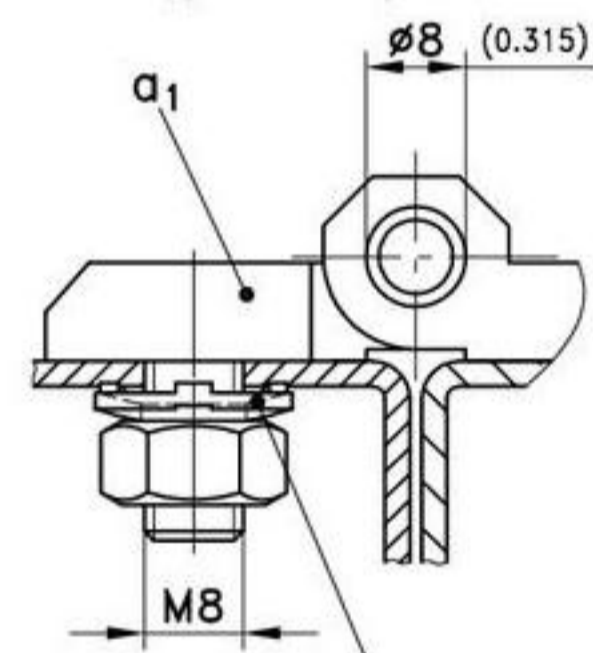
- RH or LH application.
- Opening Angle min. 180°, with version b) 270°
- Combination of versions a) and b) on request.

Material:

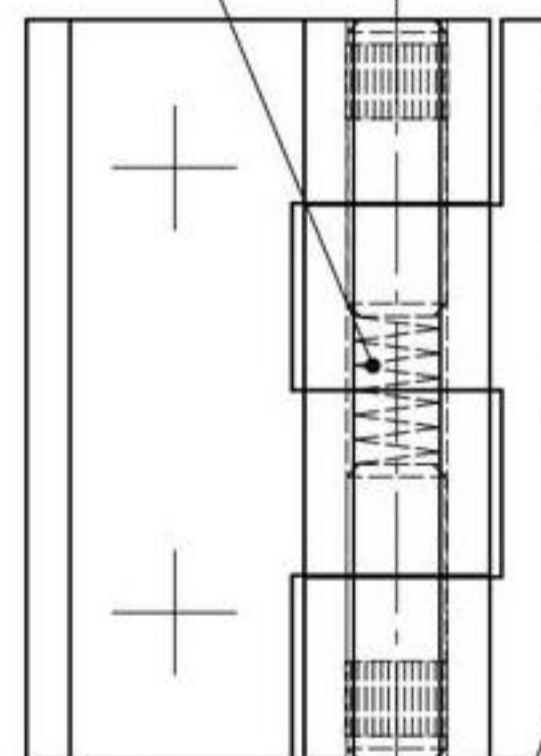
- **Hinge Parts:**
zinc die, black or chrome plated
- **Pivot pin and molded in screws:**
stainless steel to a1)
- **Pin:**
steel, zinc plated
- **Grounding/earthing washer:**
steel, zinc plated
- **Spring:**
spring steel



grounding/earthing version



grounding/earthing washer
contact spring



grounding/earthing version
limited current passage

Version	chrome plated	black	see page
a) Hinge with screws M8 molded in	218-9201	218-9202	
a1) with screws M8 molded in, but grounding / earthing version	-	218-9422	
b) with countersunk holes for M8	218-9203	218-9204	
Grounding/earthing washer for a1), 4 pieces	861-0146.07-00008	861-0146.07-00008	

Version b) in stainless steel	10.46
Countersunk machine screws zinc plated	09.5

4-270SL Hinge Pr01 SNAP-LINE 180°

nested door

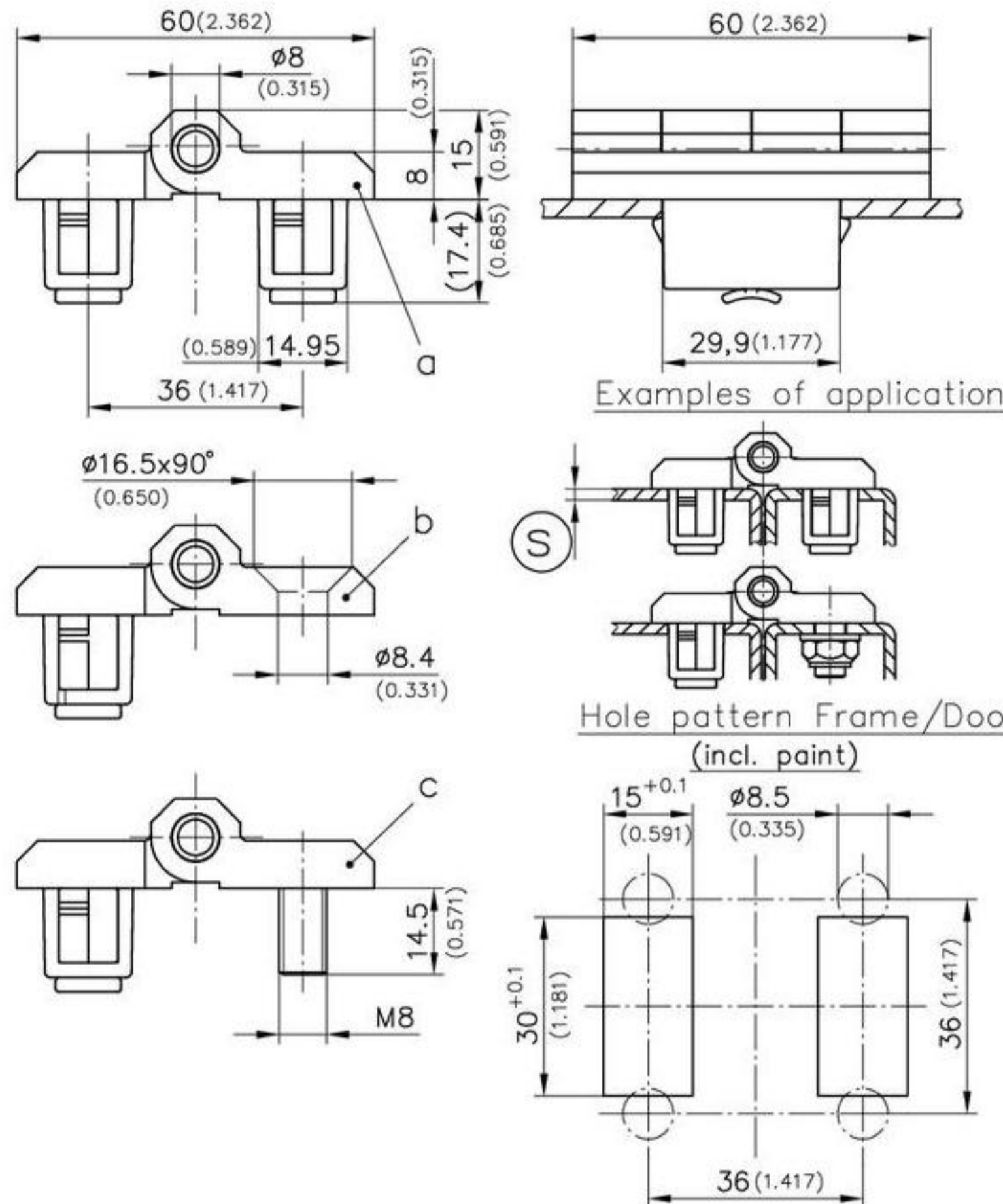


Hinge 60x60 SNAP-LINE

- The installation is effected by a simple push into appropriate cutouts.
- Other data and dimensions see page 06.14.

Material:

- Hinge Parts:** zinc die, black
- Pin:** stainless steel
- screws molded in:** stainless steel
- Snap wedges:** sintered metal, plated



Hinge version:	clamping range ©	Part No.	see page
a) snap -in	1,2 - 1,7	418-9202.00-00015	
	1,7 - 2,2	418-9202.00-00020	
	2,2 - 2,7	418-9202.00-00025	
	2,7 - 3,2	418-9202.00-00030	
	3,2 - 3,7	418-9202.00-00035	
b) snap-in / screw-on for countersunk screws M8	1,2 - 1,7	418-9208.00-00015	
	1,7 - 2,2	418-9208.00-00020	
	2,2 - 2,7	418-9208.00-00025	
	2,7 - 3,2	418-9208.00-00030	
	3,2 - 3,7	418-9208.00-00035	
c) snap-in / screw-on with screws M8 molded in	1,2 - 1,7	418-9203.00-00015	
	1,7 - 2,2	418-9203.00-00020	
	2,2 - 2,7	418-9203.00-00025	
	2,7 - 3,2	418-9203.00-00030	
	3,2 - 3,7	418-9203.00-00035	
Countersunk machine screws			09.5
Other © - dimension on request!			
Reinforcement plate for thin-walled sheets and for higher loads:		292-0701.15-01530	01.108
Tool for uninstallation		292-0306.80-02530	01.109
or		292-0301.15-00000	01.109