

## 6-041 Countersunk machine Screw

DIN 965

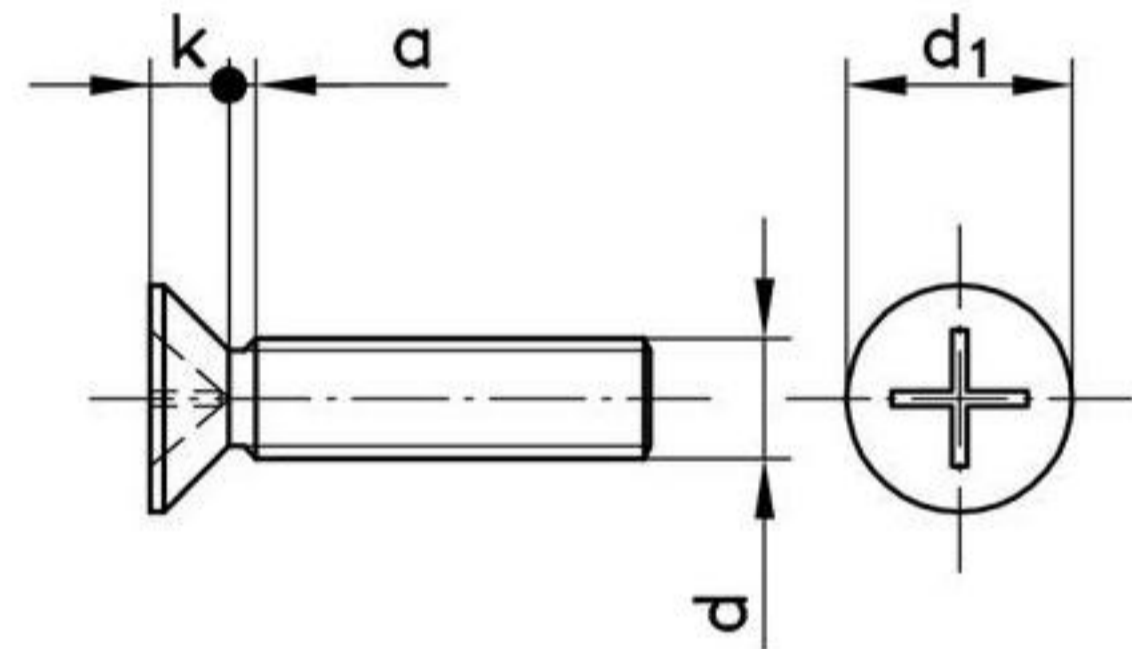


**Material:**

steel, zinc plated, white



$d = M5$	$d = M6$	$d = M8$
$a = 1,6$	$a = 2,0$	$a = 2,5$
$k = 2,5$	$k = 3,0$	$k = 4,0$
$d_1 = 9,2$	$d_1 = 11,0$	$d_1 = 14,5$



Dimension	zinc plated white (blue) Fe / Zn 6 cB
M5 x 12	860-0965.00-00512
M5 x 16	860-0965.00-00516
M5 x 20	860-0965.00-00520
M5 x 25	860-0965.00-00525
M5 x 30	860-0965.00-00530
M6 x 12	860-0965.00-00612
M6 x 16	860-0965.00-00616
M6 x 20	860-0965.00-00620
M6 x 25	860-0965.00-00625
M6 x 30	860-0965.00-00630
M6 x 35	860-0965.00-00635
M6 x 40	860-0965.00-00640
M8 x 16	860-0965.00-00816
M8 x 20	860-0965.00-00820
M8 x 25	860-0965.00-00825
M8 x 30	860-0965.00-00830
M8 x 35	860-0965.00-00835
M8 x 40	860-0965.00-00840

	Hex. nut DIN 934 8,8 zinc plated	self locking Hex. nut DIN 985 8,8 zinc plated
M5	860-0934.00-00005	860-0985.00-00005
M8	860-0934.00-00008	-

Minimum order quantity: 200 pieces