



6-190 Telescopic Stay

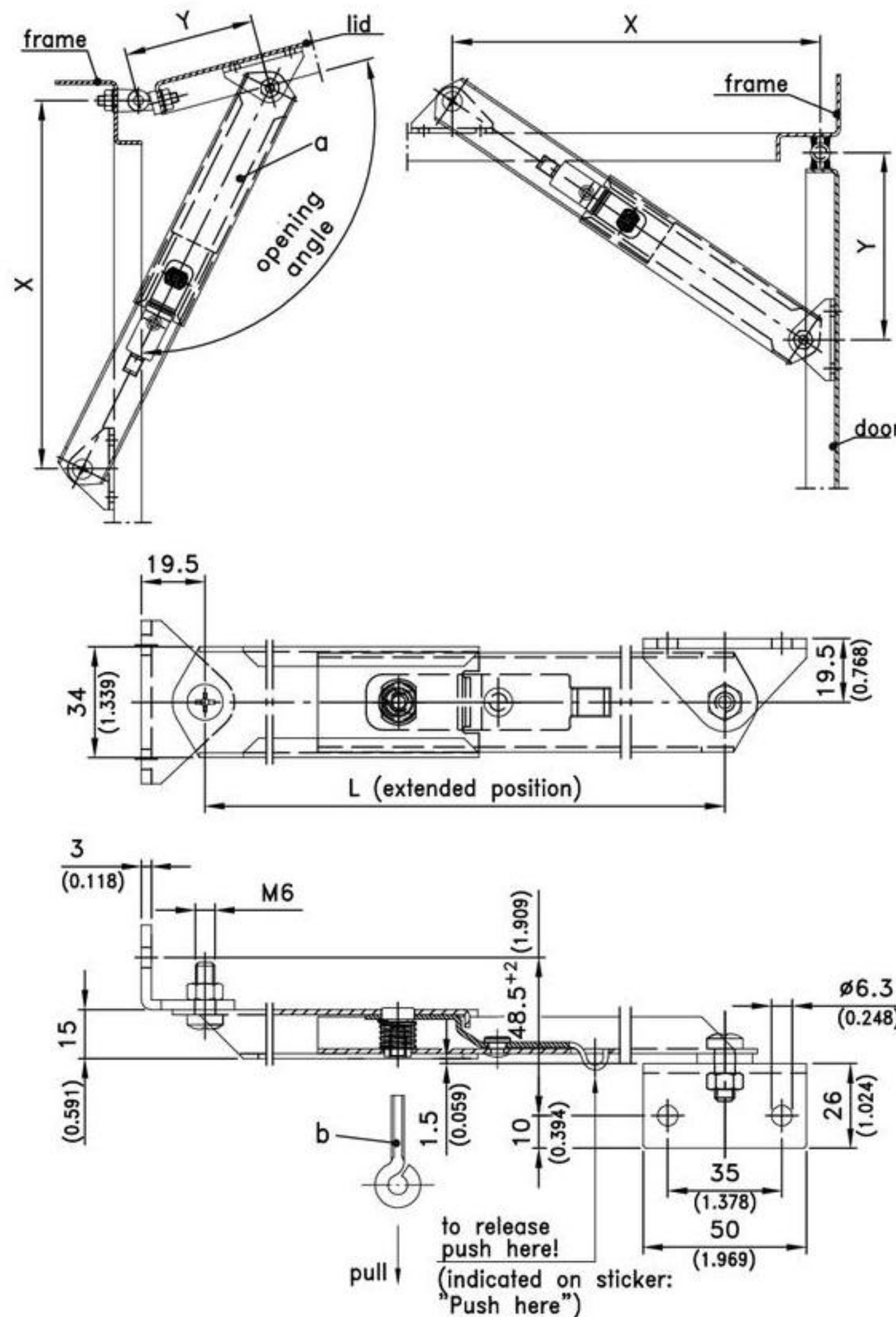
steel, zinc plated

Telescopic stay for doors and lids.

- RH and LH application.
- For wide lids with 2 cover stays you can release the 2 stops by installing 2 eyelets connected by a steel wire.
- Dimensions X and Y determine the opening angle.
- An example is illustrated.

Material:

- a) and a1)
- **Outer part:**
steel, zinc plated
- **Inner part:**
steel, zinc plated
- **Mounting angle:**
steel, zinc plated
- **Snap lever:**
steel, zinc plated
- **Snap spike:**
steel, zinc plated
- **Spring:**
stainless steel
- **Screws and washer:**
steel, zinc plated
- b)
- **Eyelet:**
steel, zinc plated



Version	Length L, retracted	Length L, extended	Dimension X	Dimension Y	Opening angle	Part No.	see page	
a) Telescopic Stay	370/14.567	710/27.953	620/24.409	220/8.661	105°	230-9305		
a1) Telescopic Stay	215/8.465	355/13.976	315/12.402	100/3.937	105°	230-9306		
b) Eyelet						860-0048.07-00420		
Other length L on request.								
Stainless steel version								10.74