

1-275 Emergency Handle

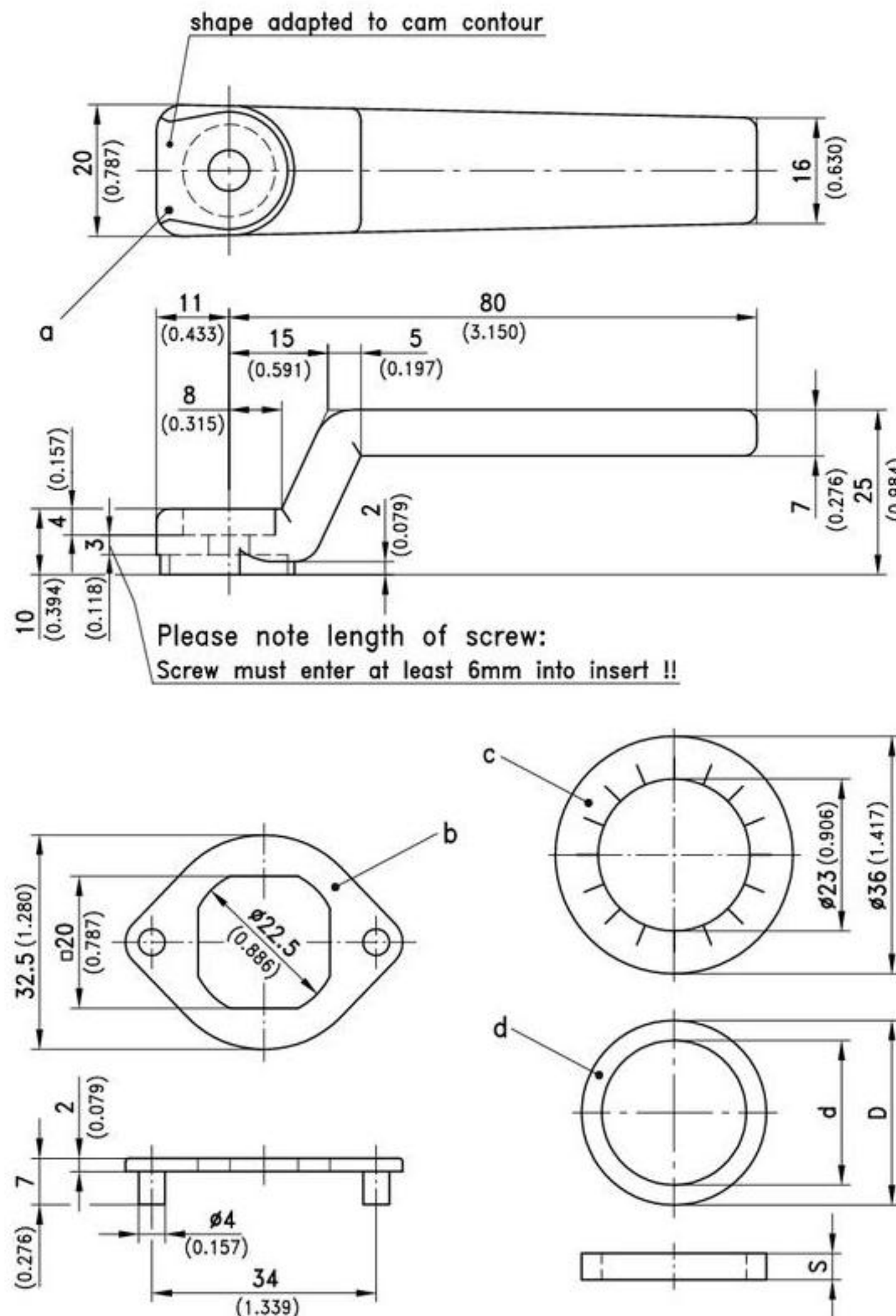


Emergency handle for Quarter-Turn series 200.

- Installation over the cam.
- Anti-rotation device for Quarter-Turn series 200 with Screw-in feature.

Material:

- a) **Emergency handle:** zinc die, red
- b) and b1) **Anti-rotation device:** zinc die
- c) and c1) **Serrated lock washer:** steel, zinc plated or stainless steel
- d), d1), d2) and d3) **Spacer:** steel; black coated or chrome plated, or zinc die, chrome plated or black coated



				Part No.
a) Emergency handle				200-4701.00-00000
b) Anti-rotation device, zinc plated				200-4601.00-00000
b1) as b) but black coated				200-4601.02-00000
c) Serrated lock washer, steel, zinc plated				800-0064.00-00000
c1) Serrated lock washer, stainless steel				840-6798.00-00023
Spacer	d	D	S	
d) Ø28 steel, black	21.9	28	4	200-4608.00-00000
d1) Ø30 steel, chrome plated	21.9	30	4	200-4610.00-00000
d2) Ø32 zinc die, chrome plated	21.7	32	6.6	200-4611.01-00000
d3) Ø32 zinc die, black	21.7	32	6.6	200-4611.02-00000