

### 1-651 Quarter-Turn Pr20.1 L18

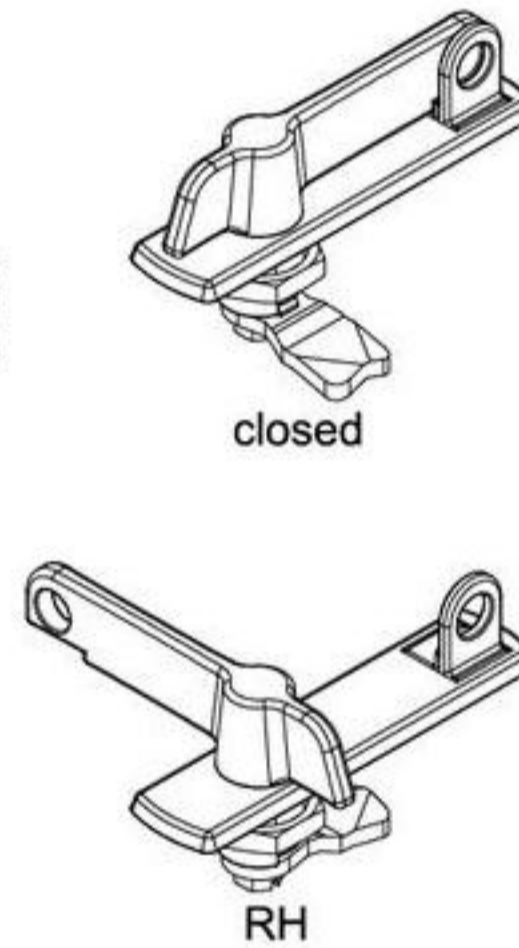
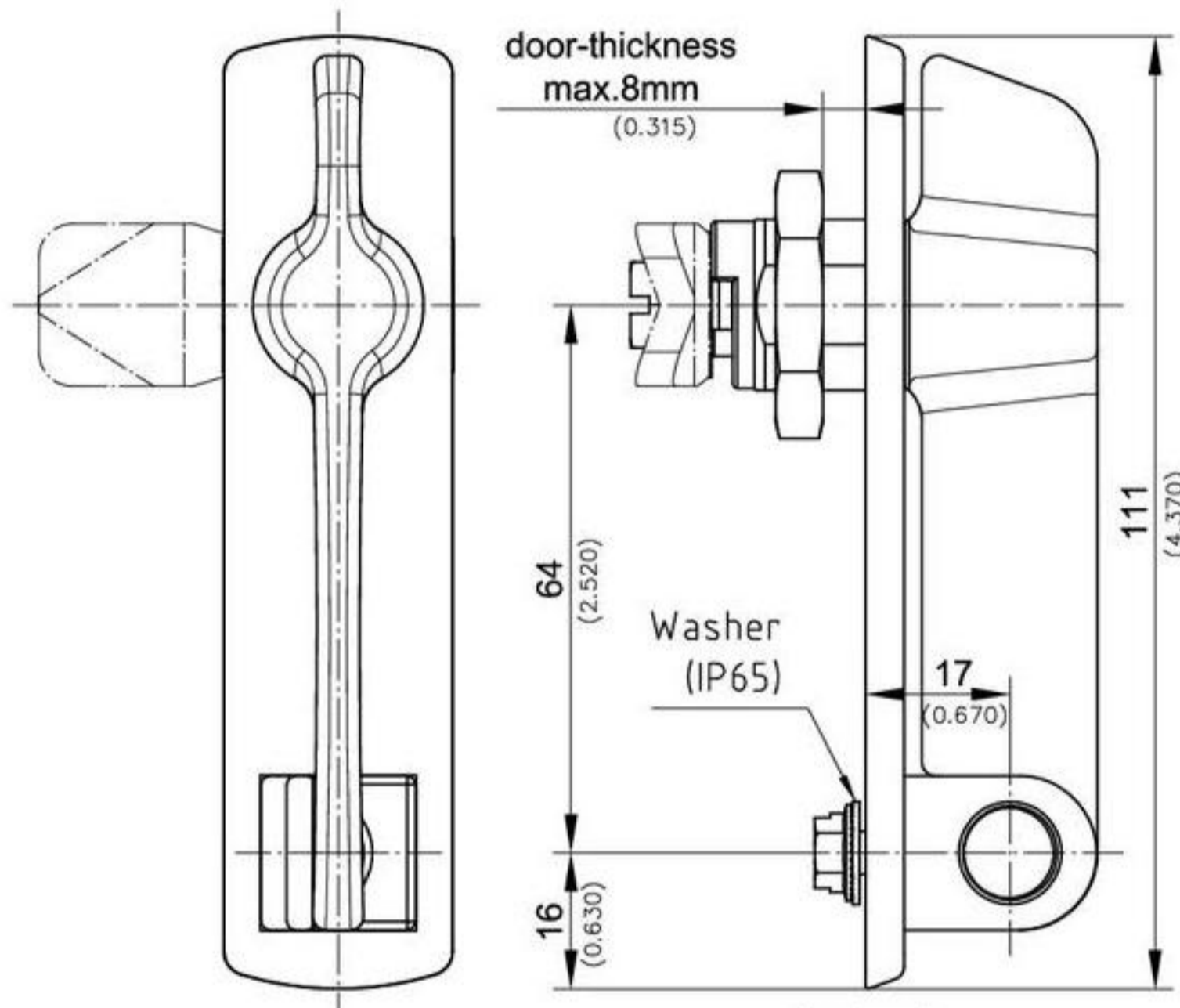


L-Wing-Handle for padlock.

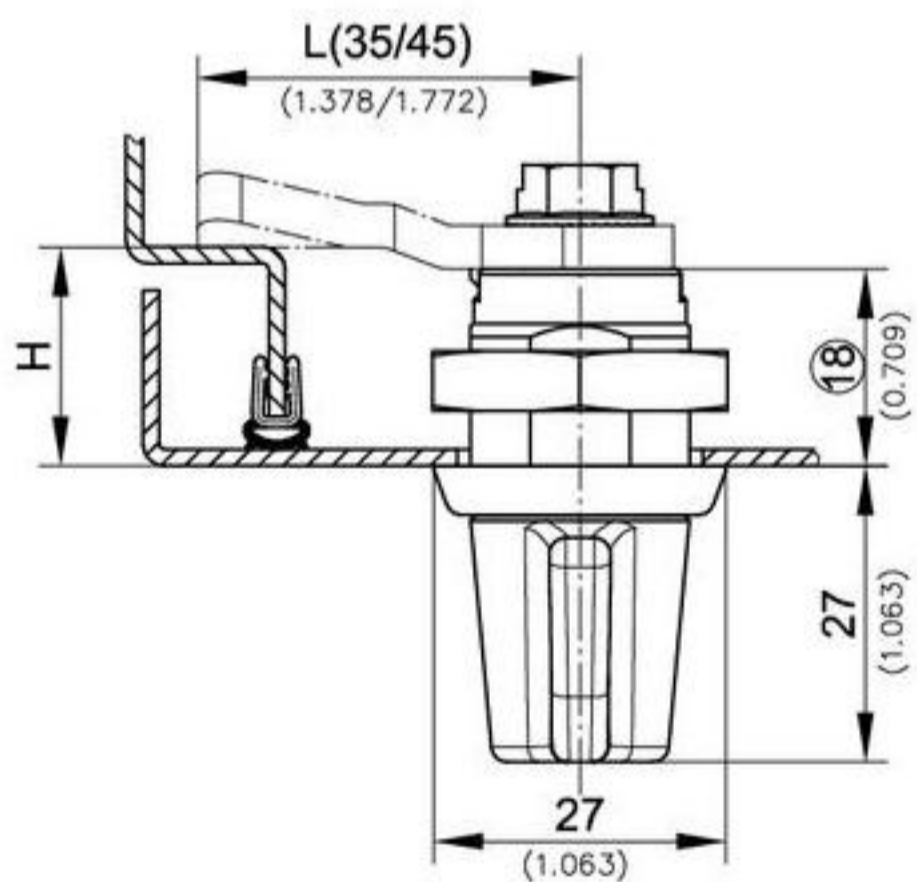
- For light applications.
- For the standard cutout and additional hole for the padlock eyelet.
- The 2-point fixing prevents tempering.
- RH and LH application.
- The eyelet for the padlock, also used as a stop, is asymmetric and can be turned for RH or LH doors (door closed).
- In closed position the wing handle is always fully vertical.

**Material:**

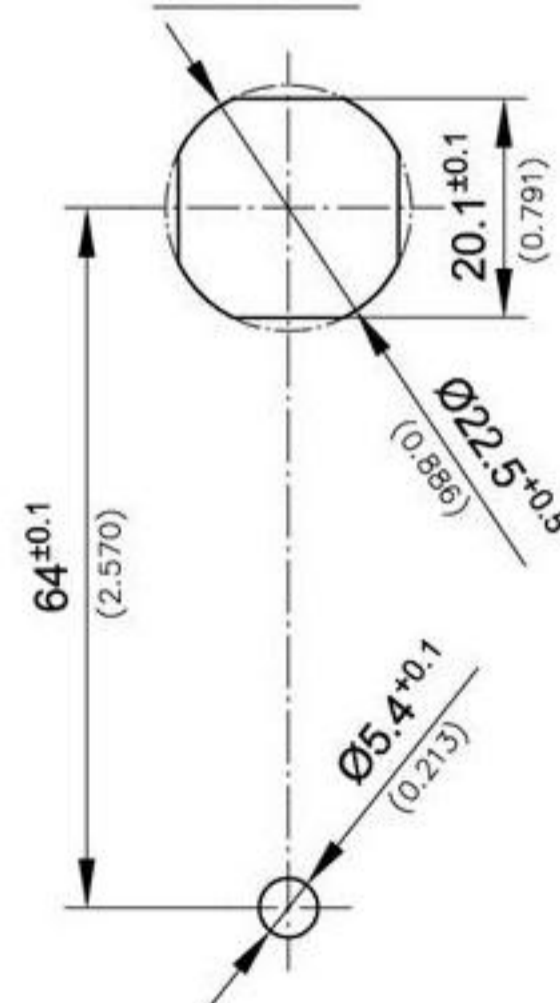
- **Housing, Stop and Wing Knob:** zinc die, black
- **Nut and Hex.screw:** steel
- **Internal wave washer:** steel, zinc plated



Example of application



Cutout



	Part No.	see page
L-Wing-Handle	281-9101.00-00000	
Cam		02.61, 02.58
<b>Optional:</b>		
<b>Water- and dust-tight according to IP65 by:</b>		
O-Ring	200-1001.00-00000	
Flat external seal:	200-0904.00-00000	
Washer, PA natural	832-0125.00-00005	