

# 1-430 Handle

for rod-latch 1-405 to 1-423

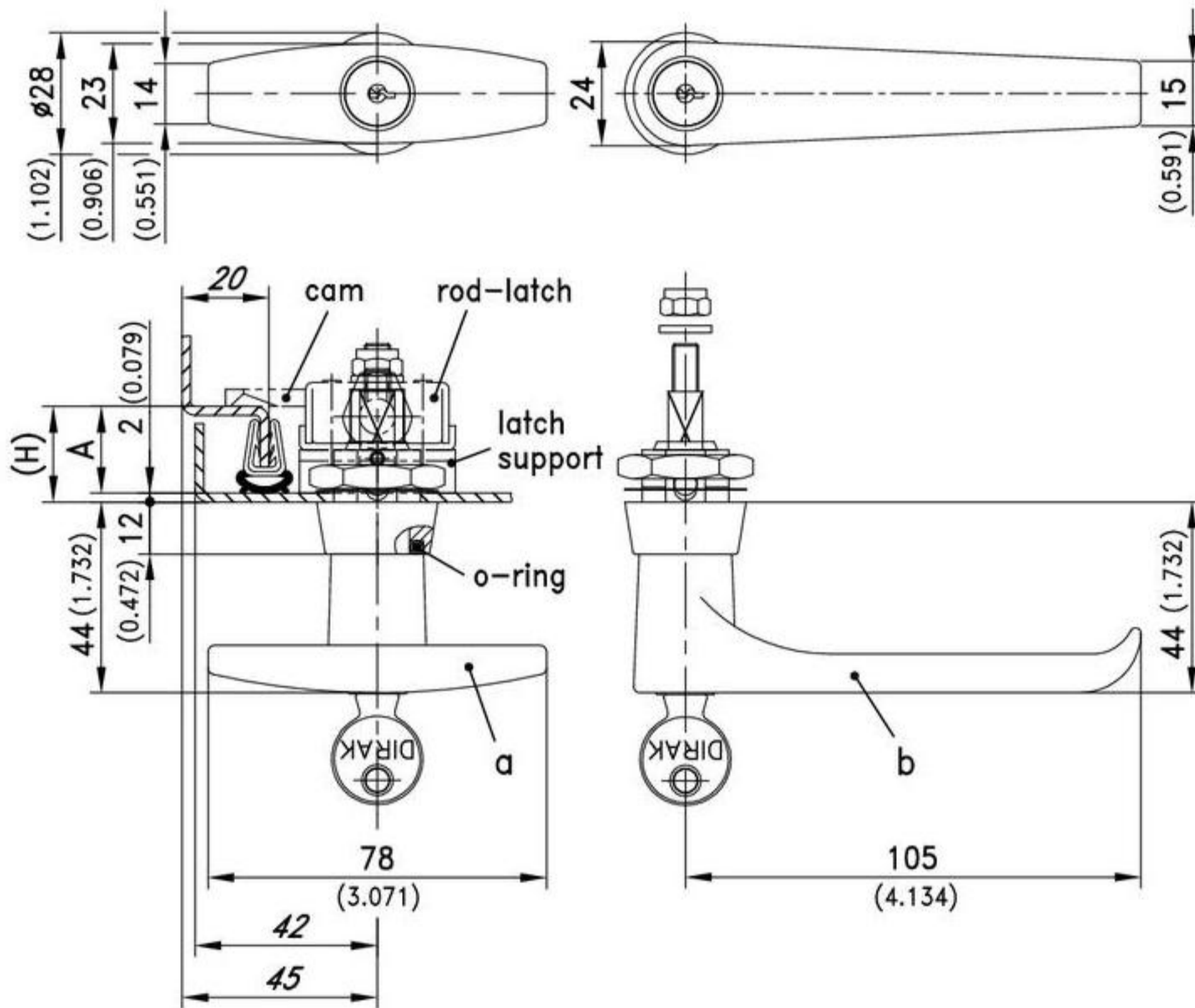


T- and L-Handle for Rod-Latches see pages 02.64, 02.65, 02.70, 02.71, 02.72 and 02.73.

- Water- and dust-tight according to IP65 DIN EN 60529.

**Material:**

- **Handle:** zinc die, chrome plated or black coated
- **Square pin:** steel, zinc plated
- **Bezel:** zinc die, chrome plated



a) T-Handle	A20/H22 chrome plated	A20/H22 black	A26/H28 chrome plated	A26/H28 black	see page
non locking	235-9501	235-9503	235-9502	235-9504	
keyed alike DIRAK 1333*	235-9505	235-9507	235-9506	235-9508	
keyed alike DS200*	535-9505	-	535-9506	-	
keyed different/mixed	235-9510	235-9512	235-9511	235-9513	
a1) T-Handle with PAGODA lock					
keyed alike 1991	501-9505	501-9507	501-9506	501-9508	
keyed different/mixed	501-9510	501-9512	501-9511	501-9513	
b) L-Handle	A20/H22 chrome plated	A20/H22 black	A26/H28 chrome plated	A26/H28 black	see page
non locking	235-9601	235-9603	235-9602	235-9604	
keyed alike DIRAK 1333*	235-9605	235-9607	235-9606	235-9608	
keyed alike DS200*	535-9605	535-9607	535-9606	535-9608	
keyed different/mixed	235-9610	235-9612	235-9611	235-9613	
b1) L-Handle with PAGODA lock					
keyed alike 1991	501-9605	-	501-9606	-	

All locks supplied with two keys.

Fitting hardware and seals for IP65 are included.

Rod-latches with accessories

02.64, 02.70,  
02.72

\* with stainless dust-shutter