

1-140 Quarter-Turn with Wing Pr20.1 L18/40

with cylinder

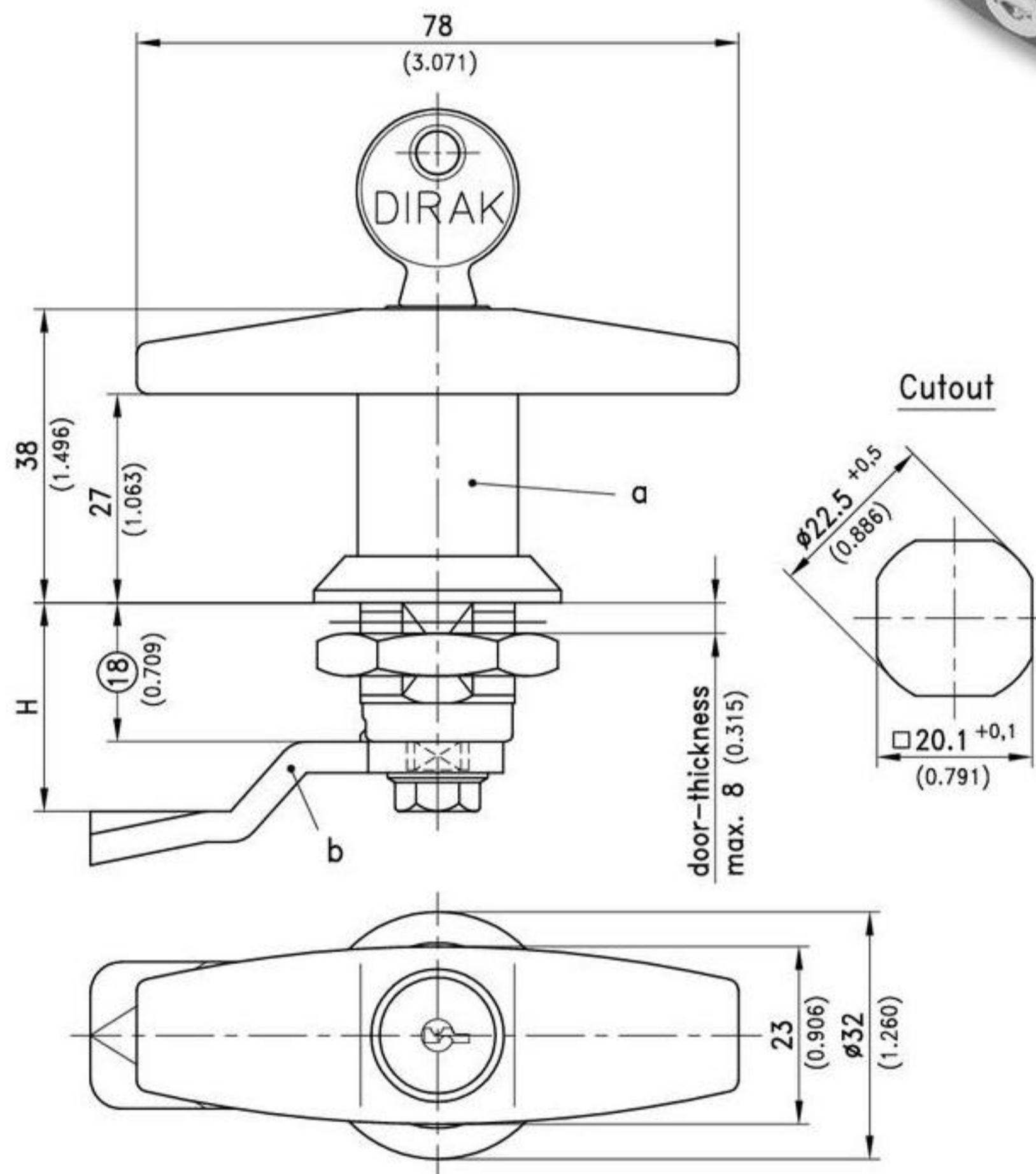


T-Handle, RH or LH application

- Water- and dust-tight according to IP65 DIN EN 60529.
- The Quarter-Turn consists of two basic components which can be combined to suit your application.
- On request parts can be assembled by DIRAK.
- A pre-assembled Quarter-Turn can be installed in the cutout.

Material:

- a)
 - **Wing handle:**
PA, black with zinc die core or zinc die, chrome plated or black coated
 - b)
- **Cam:**
steel, zinc plated



a) T-Handle	PA with zinc die core	zinc die, chrome plated	zinc die, black	see page
with plain grounding/earthing nut				
non locking	200-9307	200-9319	200-9331	
keyed alike DIRAK 1333*	200-9308	200-9320	200-9332	
keyed alike DS200*	500-9308	500-9320	500-9332	
keyed different/mixed	200-9309	200-9321	200-9333	
PAGODA keyed alike	-	501-9320	501-9332	
PAGODA keyed different/mixed	-	501-9321	501-9333	
b) Cam/3-point cam				02.26, 02.61, 02.58

Please order separately:

c) Assembling	200-0001	200-0001	200-0001
Assembling cam 90° to wing knob without O-ring	200-0019	200-0019	200-0019

All lockable handles supplied with two keys.

Stainless steel version

10.16

* with stainless dust-shutter