

4-285 Hinge Pr04 180°

Lift-off, for surface mounted door

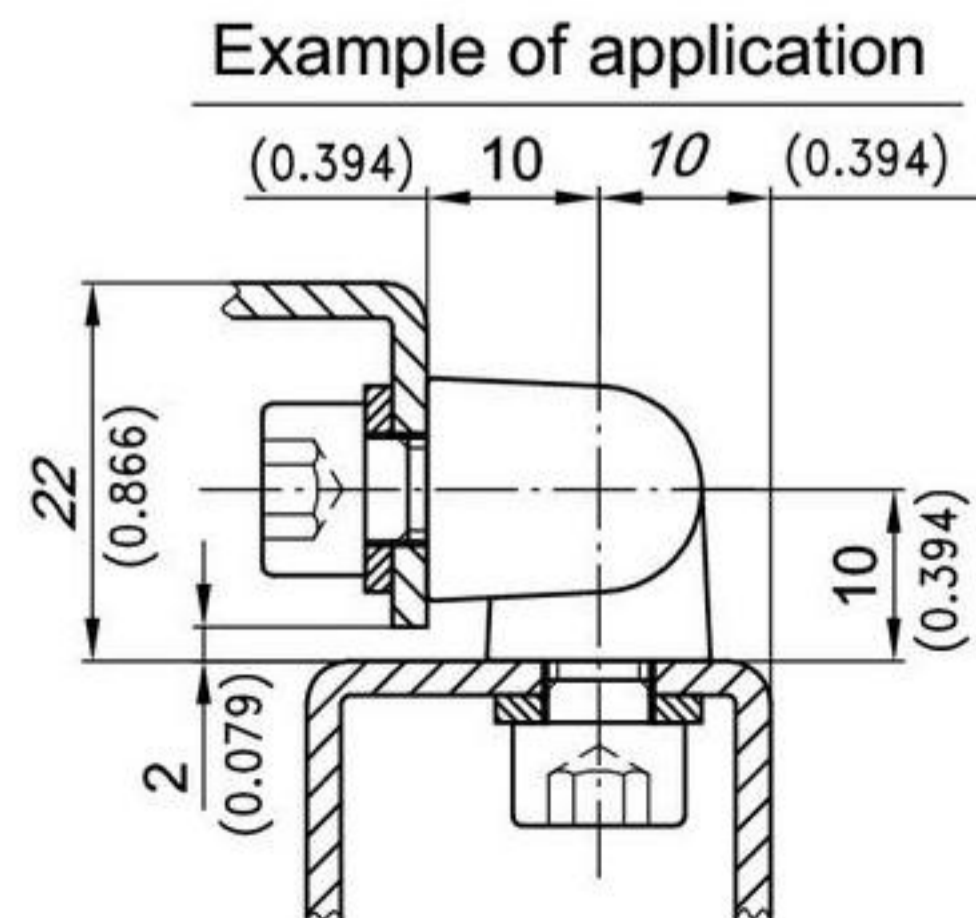
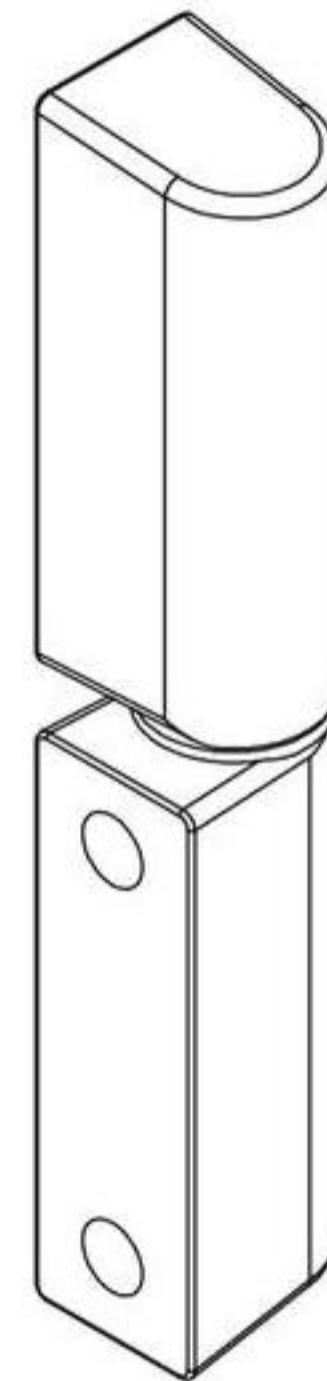
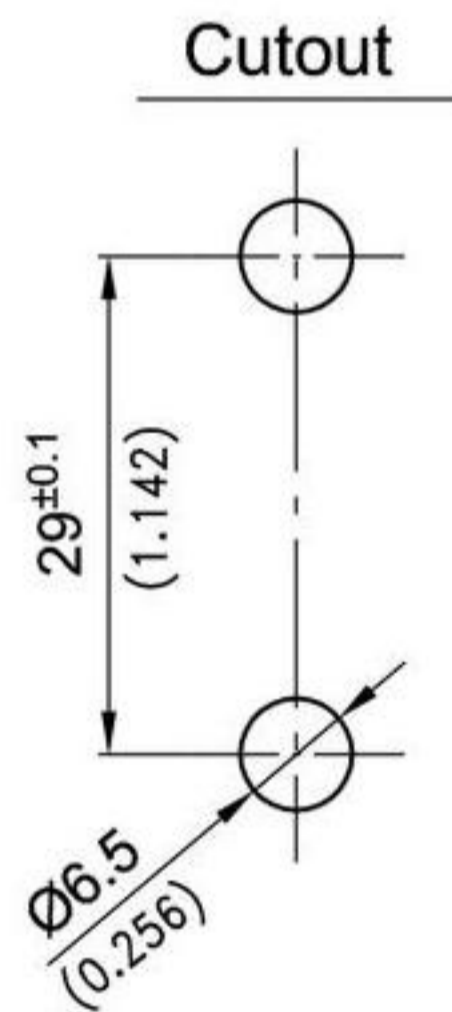
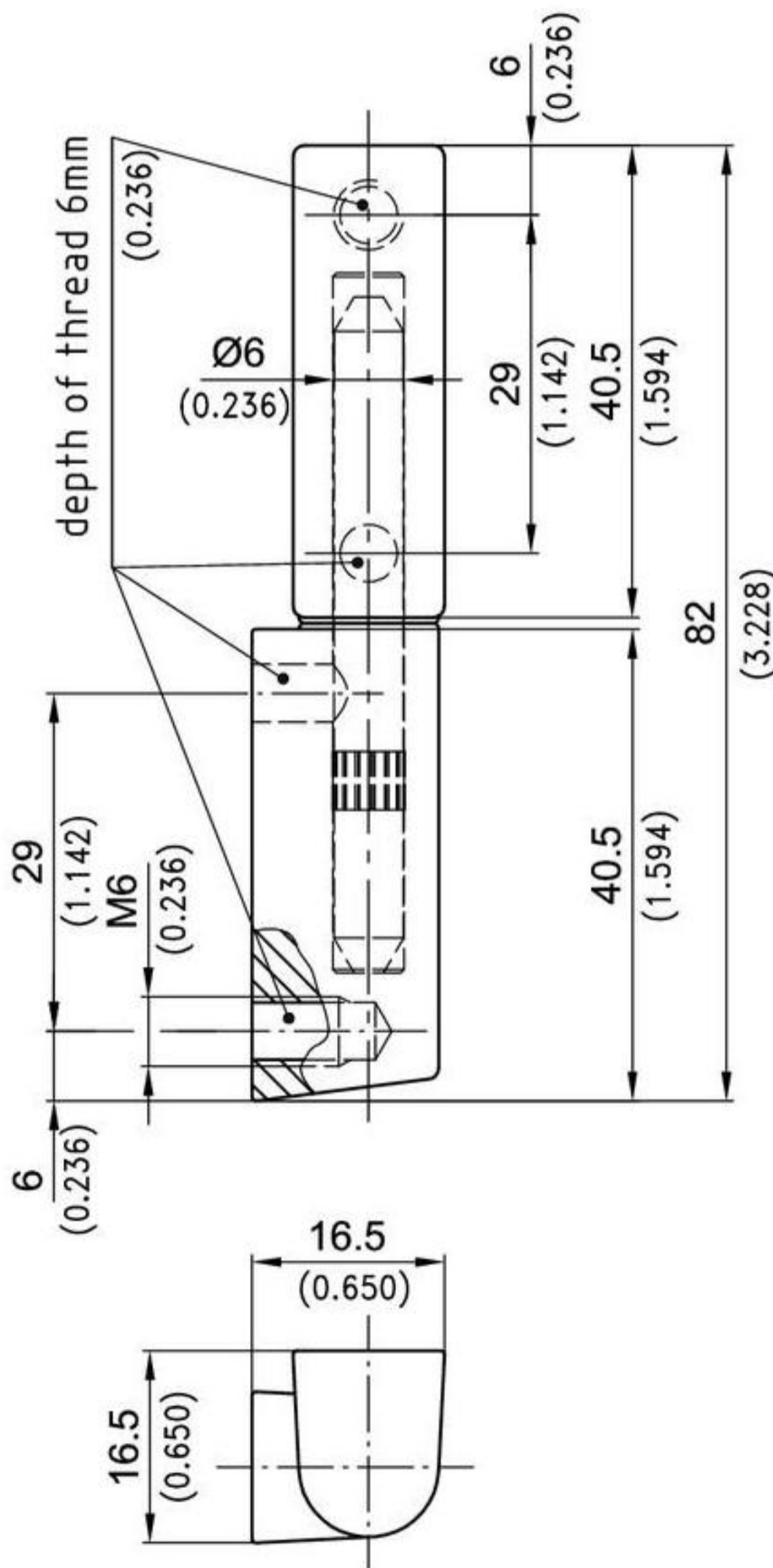


Elegant 180° corner hinge for surface mounted doors.

- 180° Opening.
- Screw-on.
- Lift-off
- RH or LH application.

Material:

- **Corner hinge:**
zinc die, black plated
- **Other surfaces: on request**
- **Pin:**
stainless steel



Corner hinge:
Screws M6 are not included.
Hinge with D-SNAP technology

Part No. see page
224-9008

01.74

4-285SL Hinge Pr04 SNAP-LINE 180°

Lift-off, for surface mounted door

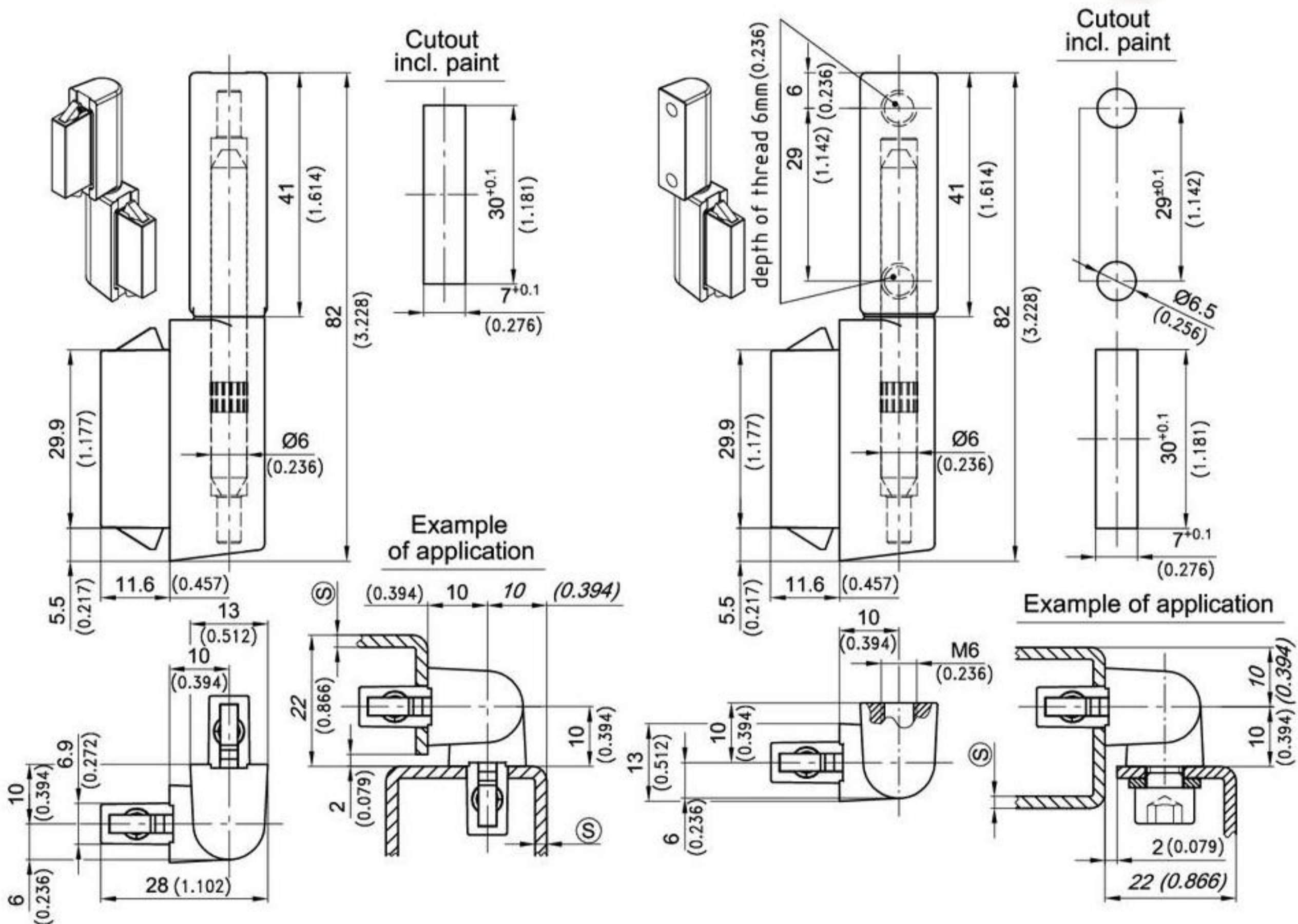


Elegant 180° corner hinge for surface mounted doors.

- 180° Opening.
- Screw-on.
- Door is lift-off.
- RH and LH application.
- The installation is effected by a simple push into appropriate cutouts.
- The O-Ring for IP65 DIN EN 60529 is included.

Material:

- **Corner hinge:**
zinc die, matt black
- **Nickel plated and chrome plated on request.**
- **Pin:**
stainless steel
- **Snap wedges:**
sintered steel
- **Other versions SNAP/Screw-on on request.**



Corner hinge	clamping range ©	Part No.	see page
Snap-in	0,8 - 1,5	417-9015.00-00012	
	1,3 - 2,0	417-9015.00-00016	
	1,5 - 2,2	417-9015.00-00019	
	2,3 - 3,0	417-9015.00-00026	
snap-in/screw-on	0,8 - 1,5	417-9017.00-00012	
	1,3 - 2,0	417-9017.00-00016	
	1,5 - 2,2	417-9017.00-00019	
	2,3 - 3,0	417-9017.00-00026	

Other © - dimension on request!

Screws M6 not included.

Hinge screw-on version		06.68
Cover for cutout 30x7	292-0401.00-03007	01.106
Reinforcement plate for thin-walled sheets and for higher loads:	292-0702.15-01030	01.108
Tool for uninstallation	292-0306.80-02530	01.109