

## 6-1300SL Finger Pull Handle SNAP-LINE

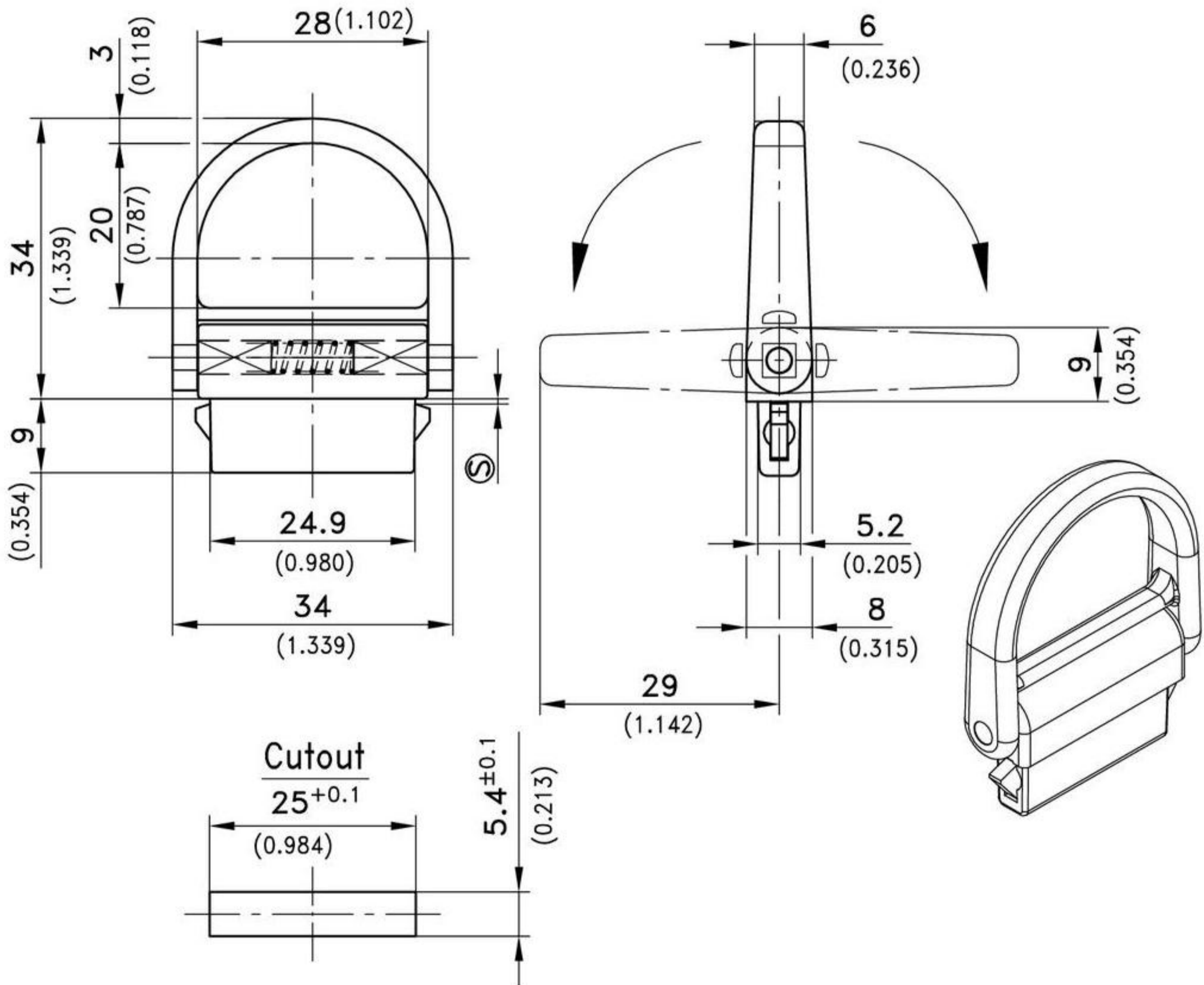


Finger pull sideways folding.

- Small space requirement.
- This Finger Pull Handle is suitable for the computer industry, 19" technology, insertions and equipments and other applications.
- Installation by a simple push into the cutout.

**Material:**

- **Handle- and Snap-part:** zinc die, matt chrome plated.
- **Pins:** steel, zinc plated
- **Spring:** spring steel, zinc plated
- **Other surfaces: on request**
- **Snap wedges:** sintered steel



	clamping range ©	Part No.	see page
Folding Finger Pull Handle	0,8 - 1,1	413-9016.00-00811	
	1,2 - 1,5	413-9016.00-01215	
	1,8 - 2,1	413-9016.00-01821	
	2,2 - 2,5	413-9016.00-02225	
Other © - dimension on request!			
Tool for uninstallation		292-0306.80-02530	01.109