

### 4-152 Hinge Pr05 180°

for single cabinet, door bending 20mm, for surface mounted door

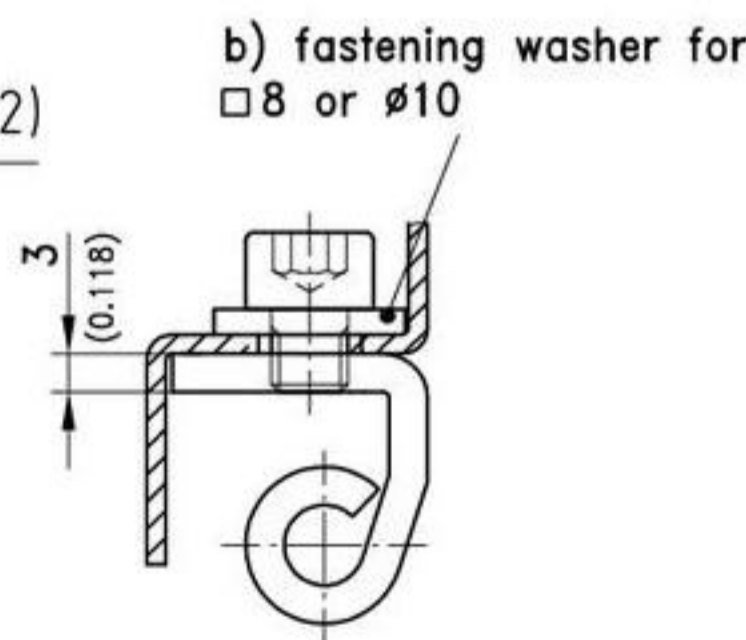
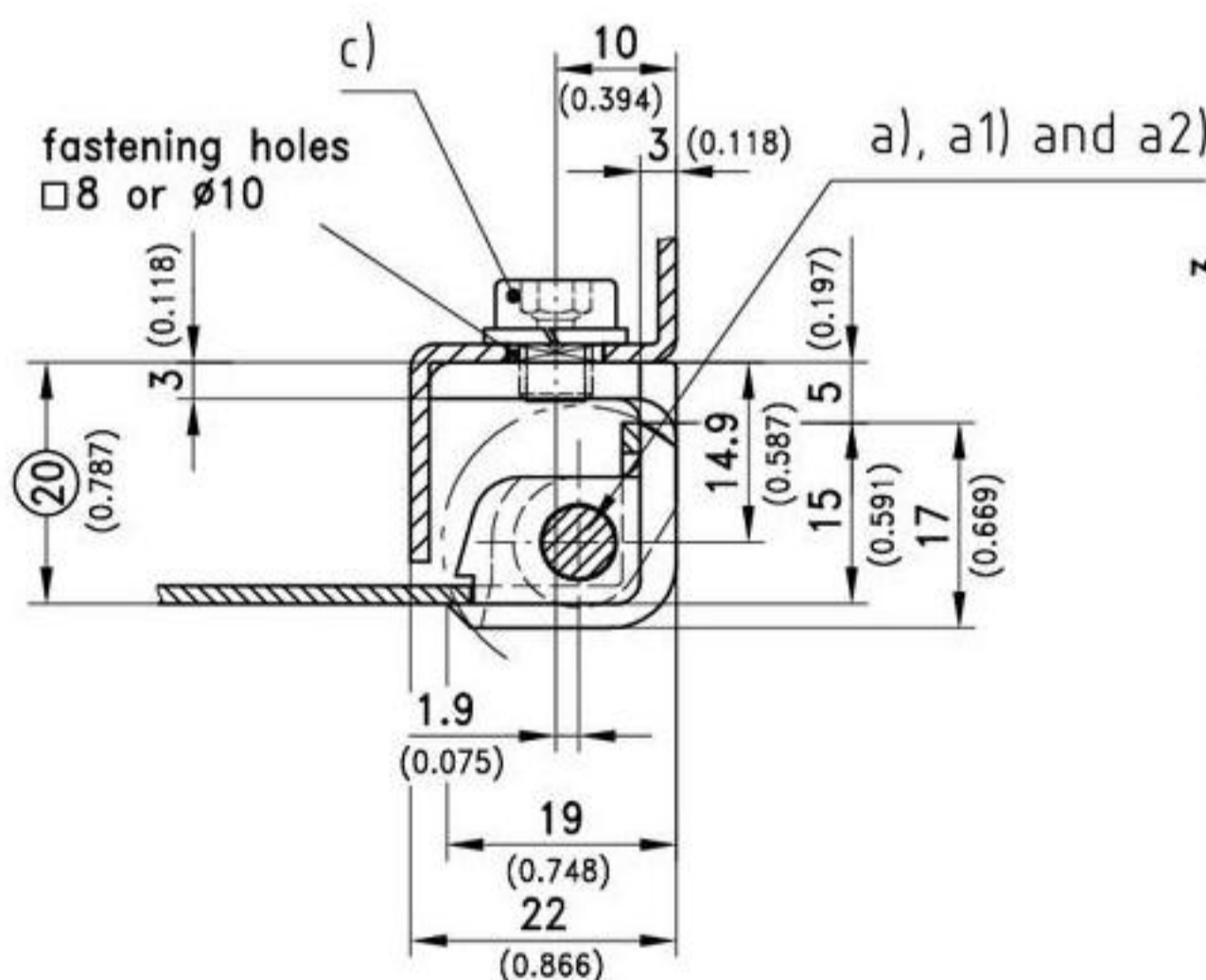
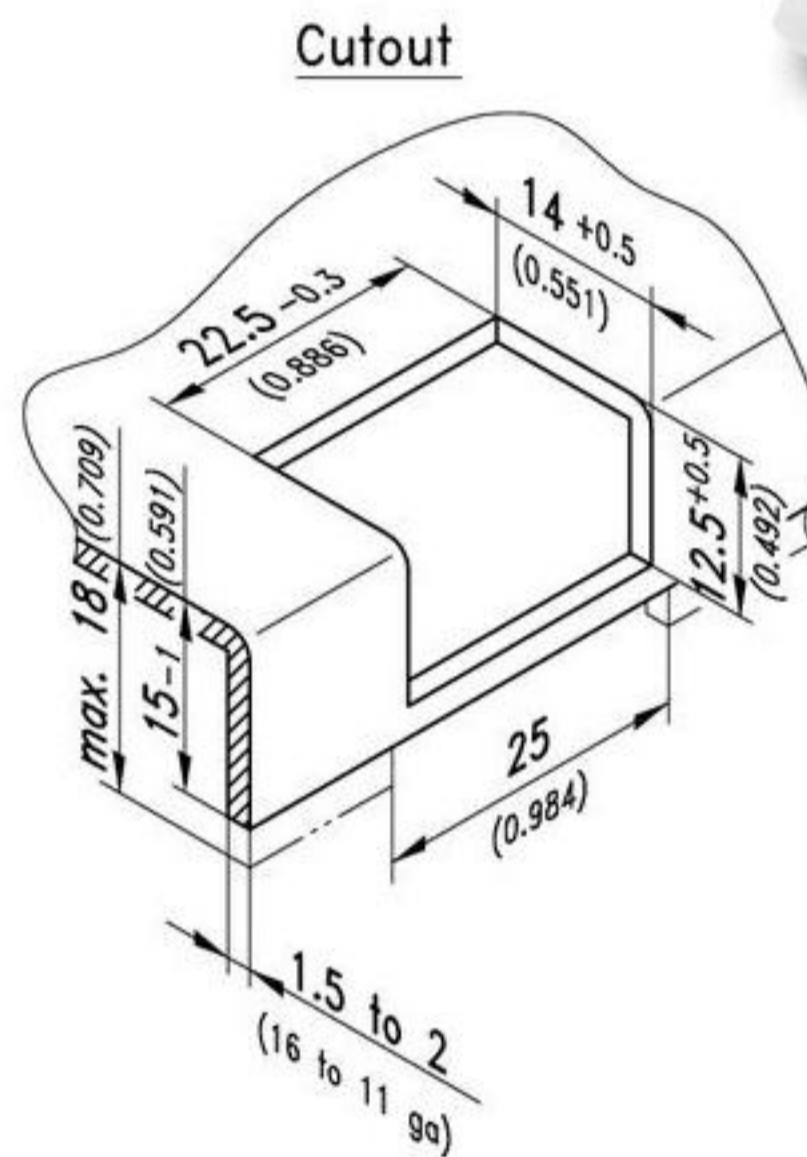
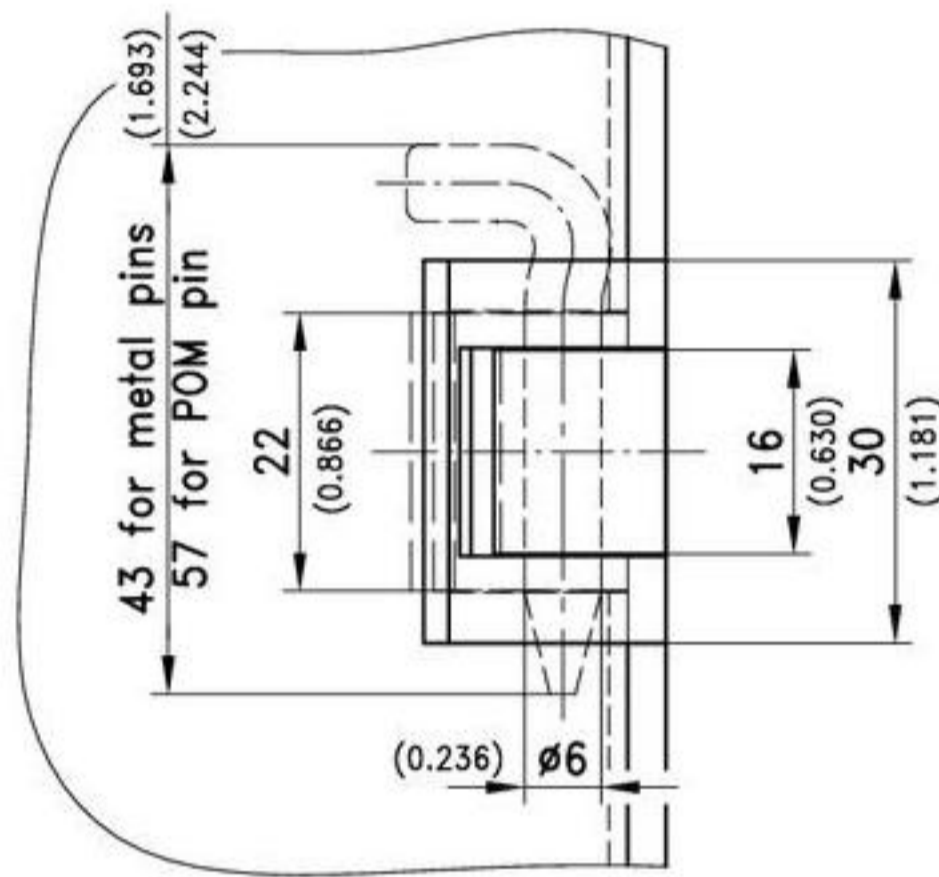


180° Hinge for surface mounted door.

- RH or LH application.
- The frame part in the zinc die version has two M6 threaded square stubs for fixing from inside.
- Frame part made of steel for heavy applications!

**Material:**

- **Frame part:**  
zinc die, chrome plated, black coated or steel, black coated
- **Fastening washer:**  
steel, zinc plated
- **Door part:**  
zinc die, black or chrome plated
- **Pin:**  
steel, stainless steel or POM



Hinge with	Frame part, zinc die chrome plated	Frame part, zinc die black coated	Frame part, steel black coated	see page
a) Pin, steel (zinc plated)	212-9056	212-9059	212-9062	
a1) Pin, stainless steel	212-9057	212-9060	212-9063	
a2) Pin, POM natural	212-9058	212-9061	212-9064	
b) Fastening washer for steel frame part is included.				
Stainless steel version				10.69
c) i.e. Screws			202-0606	09.4

### 4-152SL Hinge Pr05 SNAP-LINE 180°

for single cabinet, bending 20mm, surface mounted door

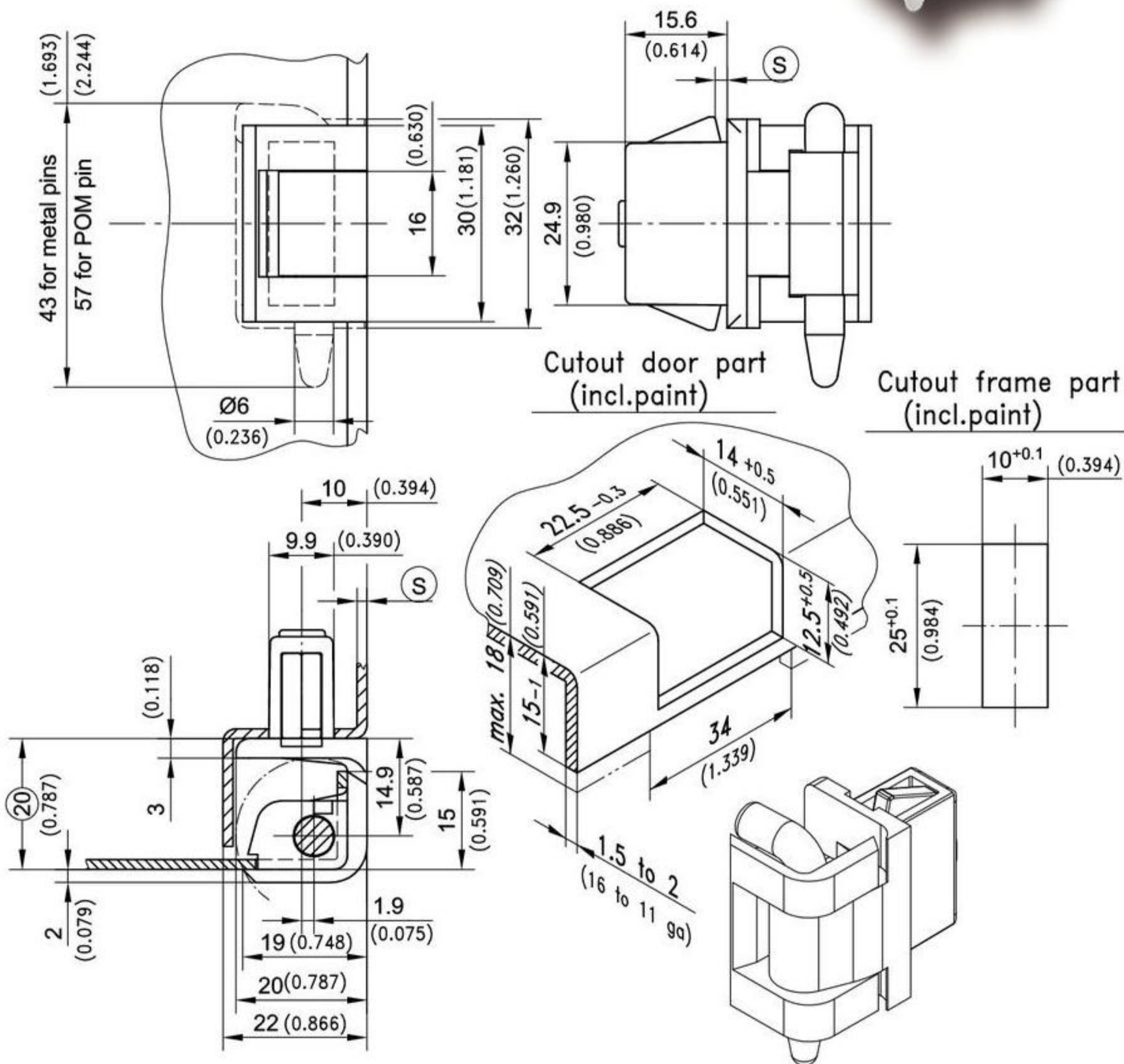


180° hinge for surface mounted door.

- RH and LH application.
- Installation of the frame-part by simple push into the cutout.
- Water and dust tight according to IP65 DIN EN 60529 by using the O-ring (not included).
- **Attention:** for light applications only.

**Material:**

- **Frame part and Door part:** zinc die, matt black
- **Pin:** steel, zinc plated, stainless steel or POM (see page 09.6)
- **Snap wedges:** sintered steel
- **O-Ring:** NBR, black



180° Hinge	Pin: steel, zinc plated	Pin: stainless steel	Pin: POM, self-securing	see page
clamping range ©				
1,2 - 1,7	412-9059.00-01217	412-9060.00-01217	412-9061.00-01217	
1,7 - 2,2	412-9059.00-01722	412-9060.00-01722	412-9061.00-01722	

Other © - dimension on request!

**Optional:**

Water and dust tight according to IP65 by:

O-ring 40 shore	839-3770.40-02120	839-3770.40-02120	839-3770.40-02120	
Cover for cutout 25x10	292-0403.06-09005	292-0403.06-09005	292-0403.06-09005	01.106
or	292-0403.06-07035	292-0403.06-07035	292-0403.06-07035	01.106
Tool for uninstallation	292-0306.80-02530	292-0306.80-02530	292-0306.80-02530	01.109