

4-184.05SL Hinge Pr05 SNAP-LINE 180°

Lift-off hinge for adjacent cabinets, bending 25mm, for surface mounted door, frame part screw-on, door part snap-in

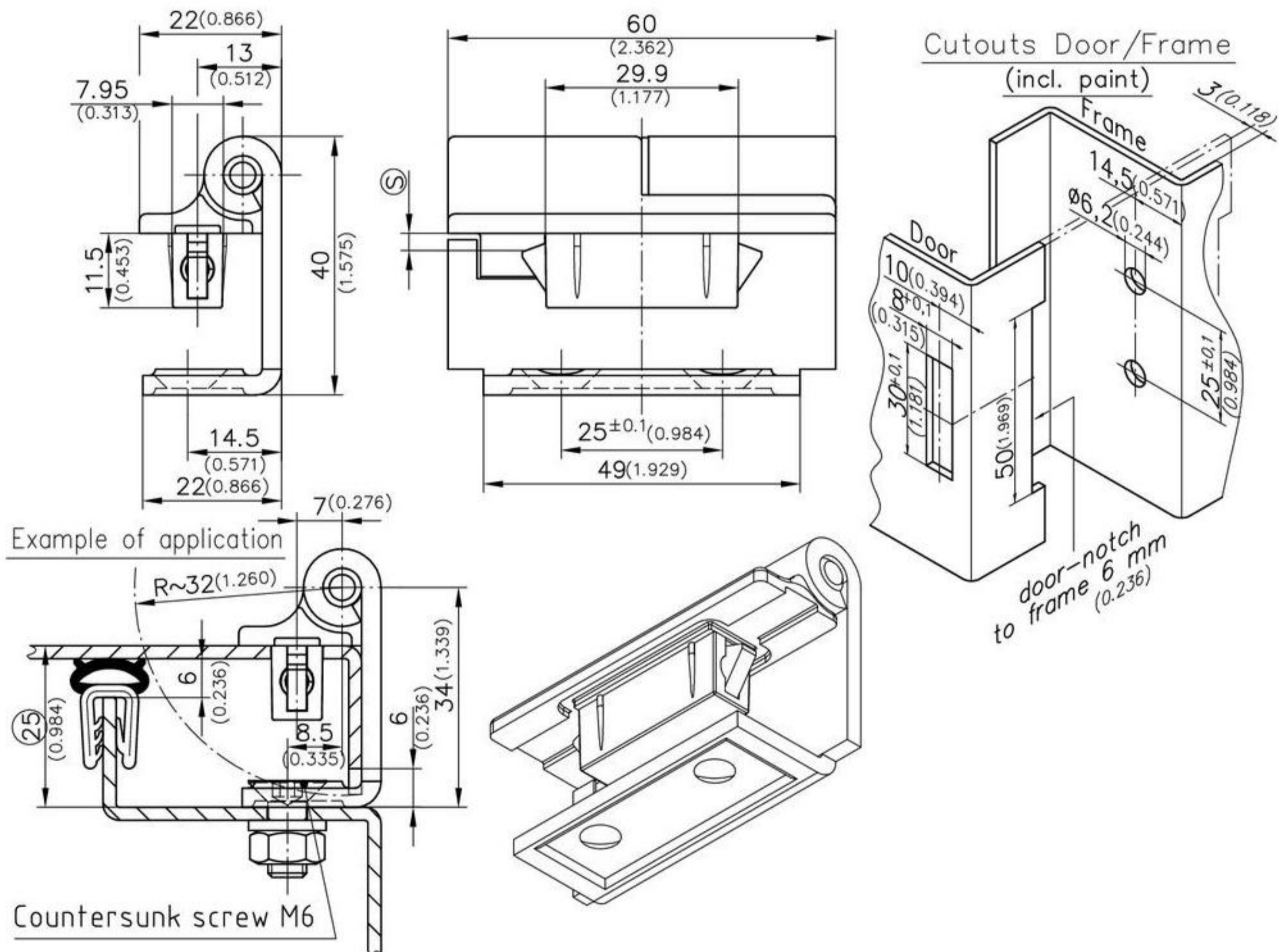


- 180° SNAP-LINE hinge for adjacent cabinets.
- Bending 25mm.
 - Frame part: screw-on, steel version for heavy applications.
 - Door part: snap-in.
 - Door is lift-off.
 - RH and LH version.
 - To merge the door part and the frame part: at about 30° door opening, enter the door part into the matching openings in the frame part and close the door.
 - Lift-off safety, the door can't be lifted-off in closed position.
 - The frame part is fitted from outside by M6 countersunk screws.
 - The installation of the door part is achieved by a simple push into the appropriate cutout.

- The possible door-notch at the door (50mm) is concealed by the hinge (60mm).
- Other surfaces: on request

Material:

- **Frame part:** steel black
- **door frame:** zinc die, black
- **Snap wedges:** sintered steel
- **Pin:** stainless steel
- **Spring:** spring steel
- **Washer:** brass, nickel plated



	clamping range ⑤ Door	RH (as drawn)	LH	see page
Hinge	1,3 - 2,0	412-9016.00-00015	412-9017.00-00015	
	1,8 - 2,5	412-9016.00-00020	412-9017.00-00020	
	2,3 - 3,0	412-9016.00-00025	412-9017.00-00025	
	2,8 - 3,5	412-9016.00-00030	412-9017.00-00030	
Other ⑤ - dimension on request!				
Reinforcement plate for thin-walled sheets and for higher loads:		292-0702.15-01030	292-0702.15-01030	01.108
Tool for uninstallation		292-0306.80-02530	292-0306.80-02530	01.109