

### 4-184.01SL Hinge Pr05 SNAP-LINE 180°

Lift-off hinge for adjacent cabinets, bending 20mm, for surface mounted door, frame and door snap-in

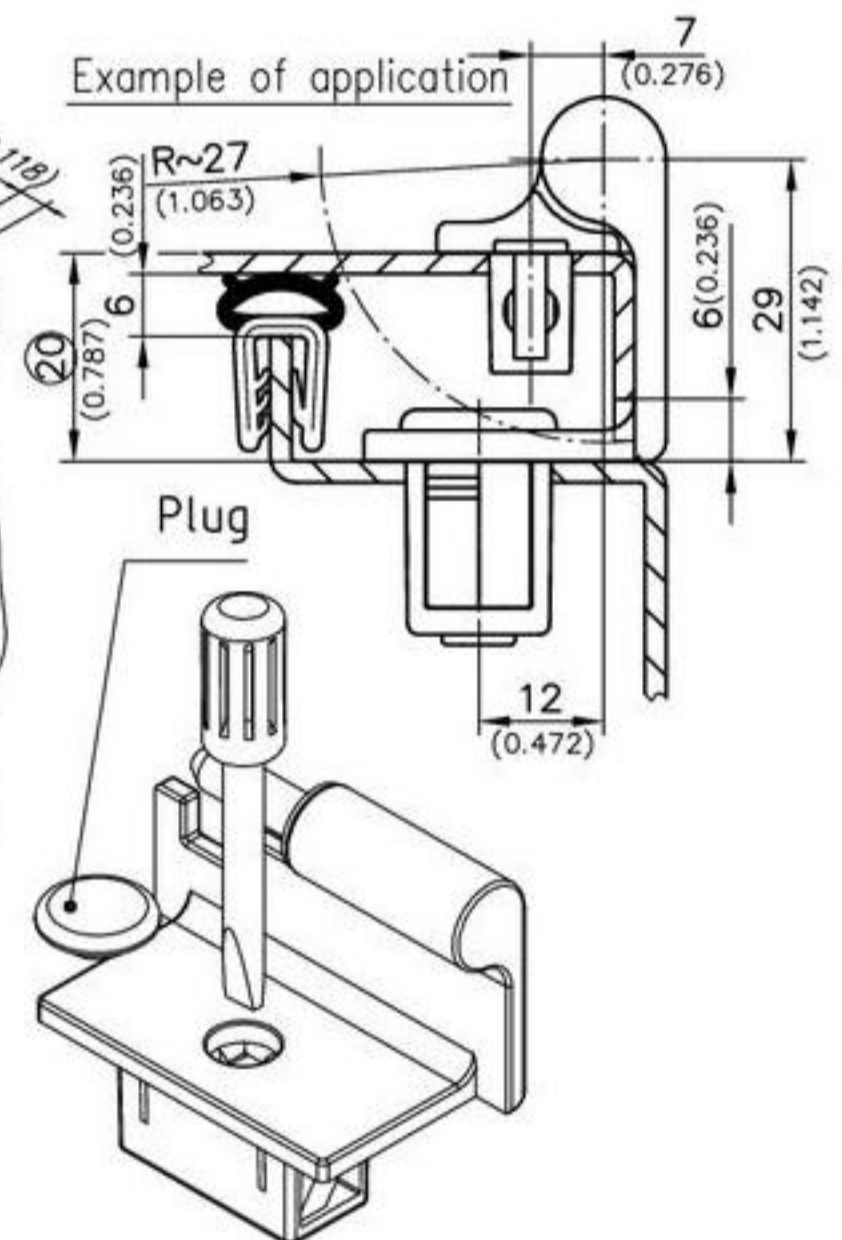
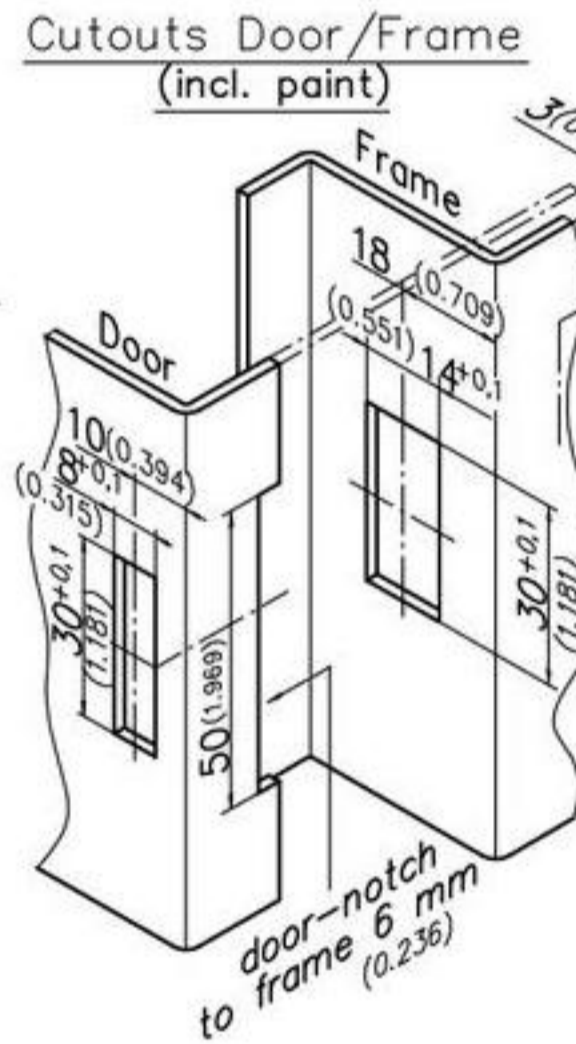
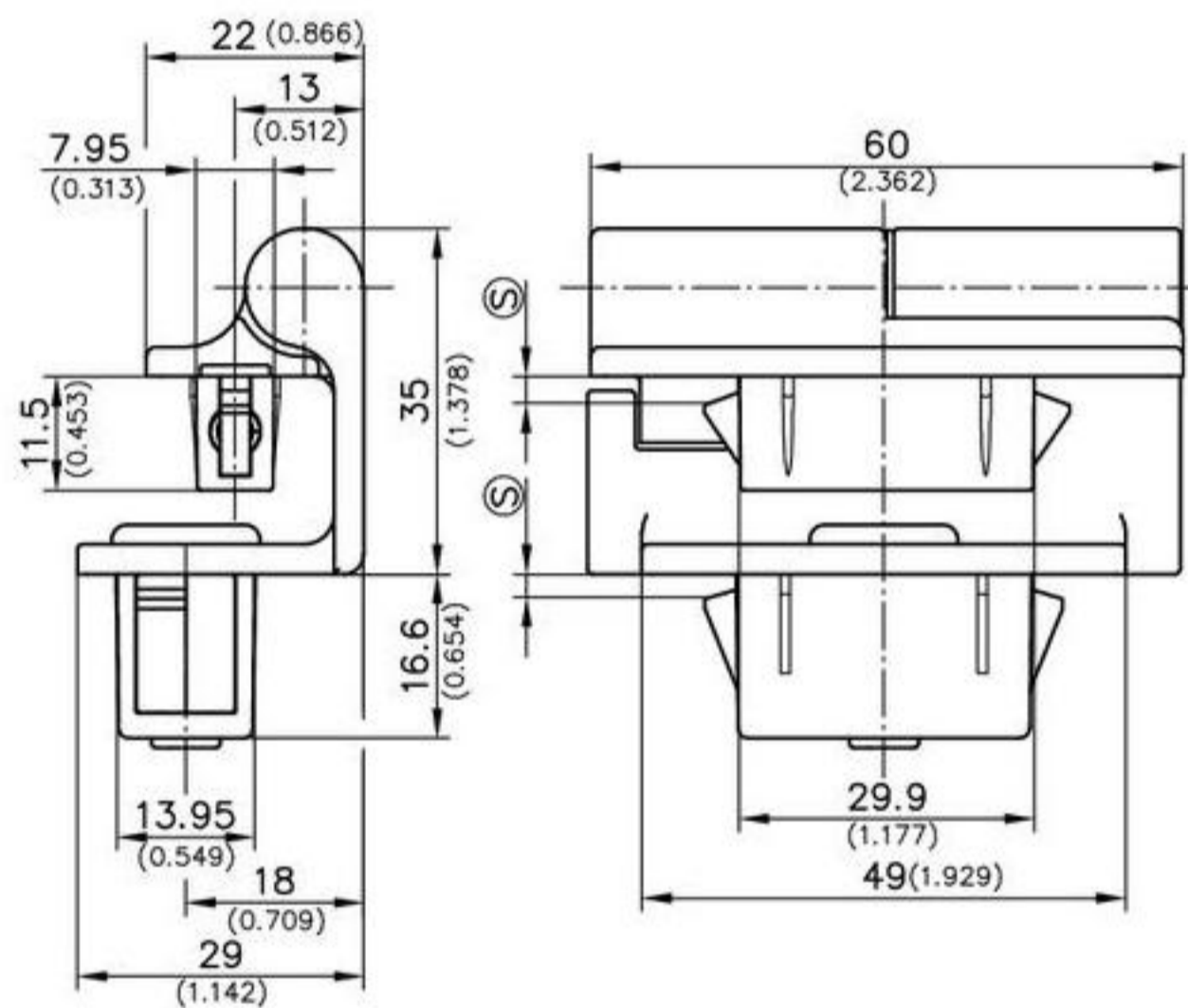


- 180° SNAP-LINE hinge for adjacent cabinets.
- Bending 20mm.
- Frame part and Door part Snap-in.
- Door is lift-off.
- RH and LH version.
- To merge the door part and the frame part: at about 30° door opening, enter the door part into the matching openings in the frame part and close the door.
- Lift-off safety, the door can't be lifted-off in closed position.
- The installation of the frame part and door part is achieved by a simple push into the appropriate cutout.

- For uninstallation of the frame part the plug on the outside can be removed and the frame part can be disengaged from outside with a screw driver.
- The possible door-notch at the door (50mm) is concealed by the Hinge (60mm).
- Other surfaces: on request

**Material:**

- Frame part and Door part:** zinc die, black
- Snap wedges:** sintered steel
- Pin:** stainless steel
- Spring:** spring steel
- Washer:** brass, nickel plated
- Plug:** NBR, black



	clamping range Ⓢ Door	clamping range Ⓢ Frame	RH (as drawn)	LH	see page
Hinge	1,3 - 2,0	1,4 - 1,7	412-9008.00-01515	412-9009.00-01515	
	1,8 - 2,5	1,8 - 2,1	412-9008.00-02020	412-9009.00-02020	
	2,3 - 3,0	2,2 - 2,5	412-9008.00-02523	412-9009.00-02523	
	2,8 - 3,5	2,8 - 3,1	412-9008.00-03030	412-9009.00-03030	

Other Ⓢ - dimension on request!

**Optional:**

Water and dust tight according to IP65 by:

Flat external seal*	209-3301	209-3301
---------------------	----------	----------

\* If you use the external seal, please order a larger clamping range.

Cover for cutout 30x14	292-0402.00-03014	292-0402.00-03014	01.106
Reinforcement plate for thin-walled sheets and for higher loads:	292-0701.15-01530	292-0701.15-01530	01.108
Reinforcement plate for thin-walled sheets and for higher loads:	292-0702.15-01030	292-0702.15-01030	01.108
Tool for uninstallation	292-0306.80-02530	292-0306.80-02530	01.109