

4-182.02SL Hinge Pr05 SNAP-LINE 180°

Single cabinets, door bending 25mm, surface mounted door, frame snap-in, door screw-on



Hinge SNAP-LINE

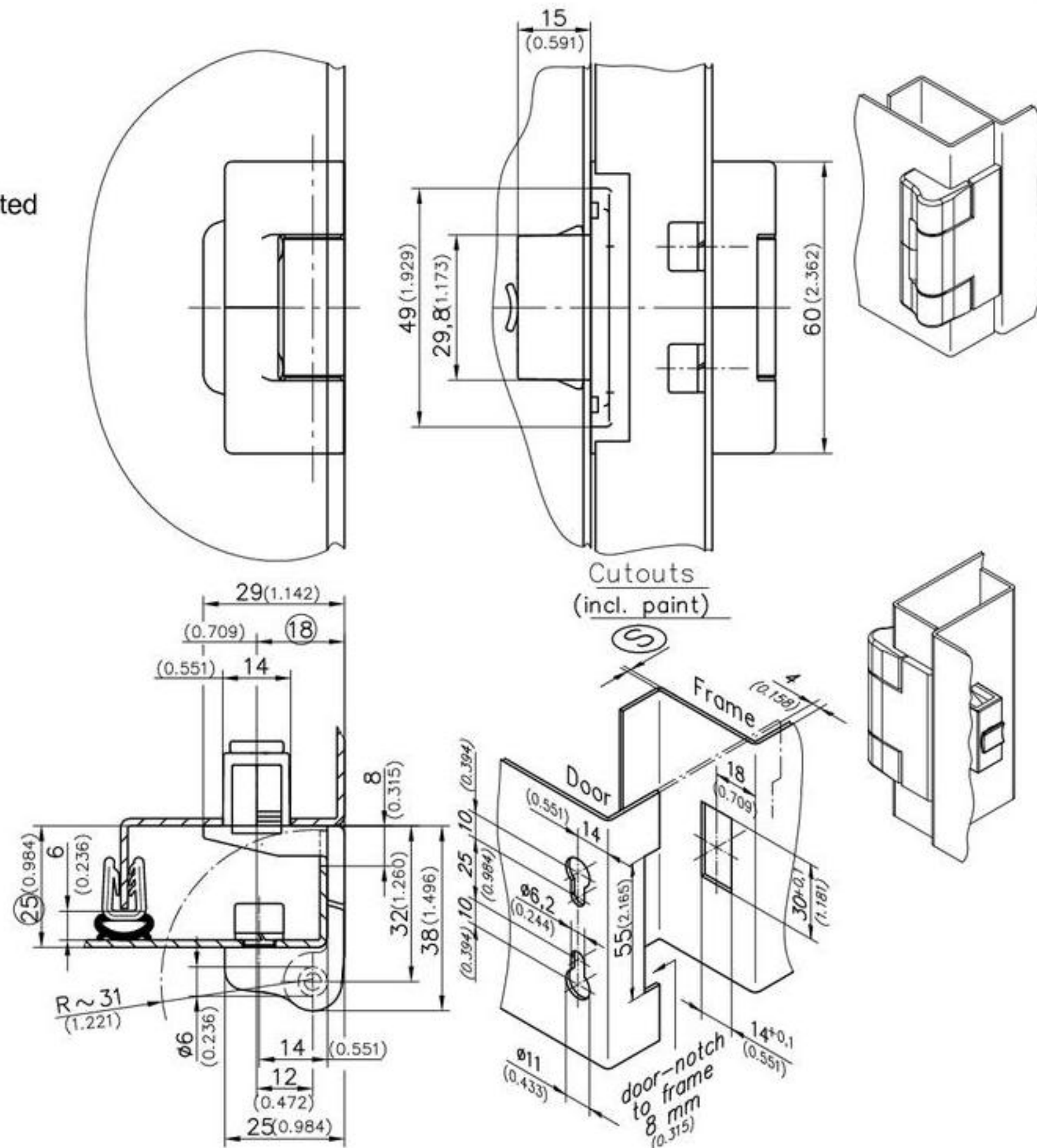
- 180° opening angle for single cabinets.
- 140° opening angle for adjacent cabinets/hinges.
- Installation of the frame-part by simple snap-in.
- Door-part see page 06.81.
- Seal for frame-part to Frame: on request.
- Dual hook SNAP-LINE with system dimension ⑱ : see page 01.33.
- Water and dust tight according to IP65 DIN EN 60529 by using the O-ring (not included).
- For uninstallation see page 01.79.

- **Pin $\varnothing 6 \times 15$:**
stainless steel
- **Pin $\varnothing 6 \times 50$:**
steel, zinc plated
- **Washers:**
brass, nickel plated
- **Socket cylinder screws:**
steel, zinc plated
- **Spring washers**
steel, zinc plated



Material:

- **Frame part:**
zinc die, black
- **door part:**
zinc die, black
- **Snap wedge:**
sintered metal, plated



	clamping range ⑳ -	Part No.	see page
	Frame		
Hinge	1,2 - 1,7	412-9002.00-00015	
	1,7 - 2,2	412-9002.00-00020	
	2,2 - 2,7	412-9002.00-00025	
	2,7 - 3,2	412-9002.00-00030	
	3,2 - 3,7	412-9002.00-00035	
2 socket cylinder screws M6x10 DIN7984 and 2 spring washers DIN7980 are included.			
O-ring		200-1005.00-02420	
Cover for cutout 30x14		292-0402.00-03014	01.106
Reinforcement plate for thin-walled sheets and for higher loads:		292-0701.15-01530	01.108
Tool for uninstallation		292-0306.80-02530	01.109
or		292-0301.15-00000	01.109