

4-182.01SL Hinge Pr05 SNAP-LINE 180°

Adjacent cabinets, door bending 25mm, surface mounted door, frame and door snap-in

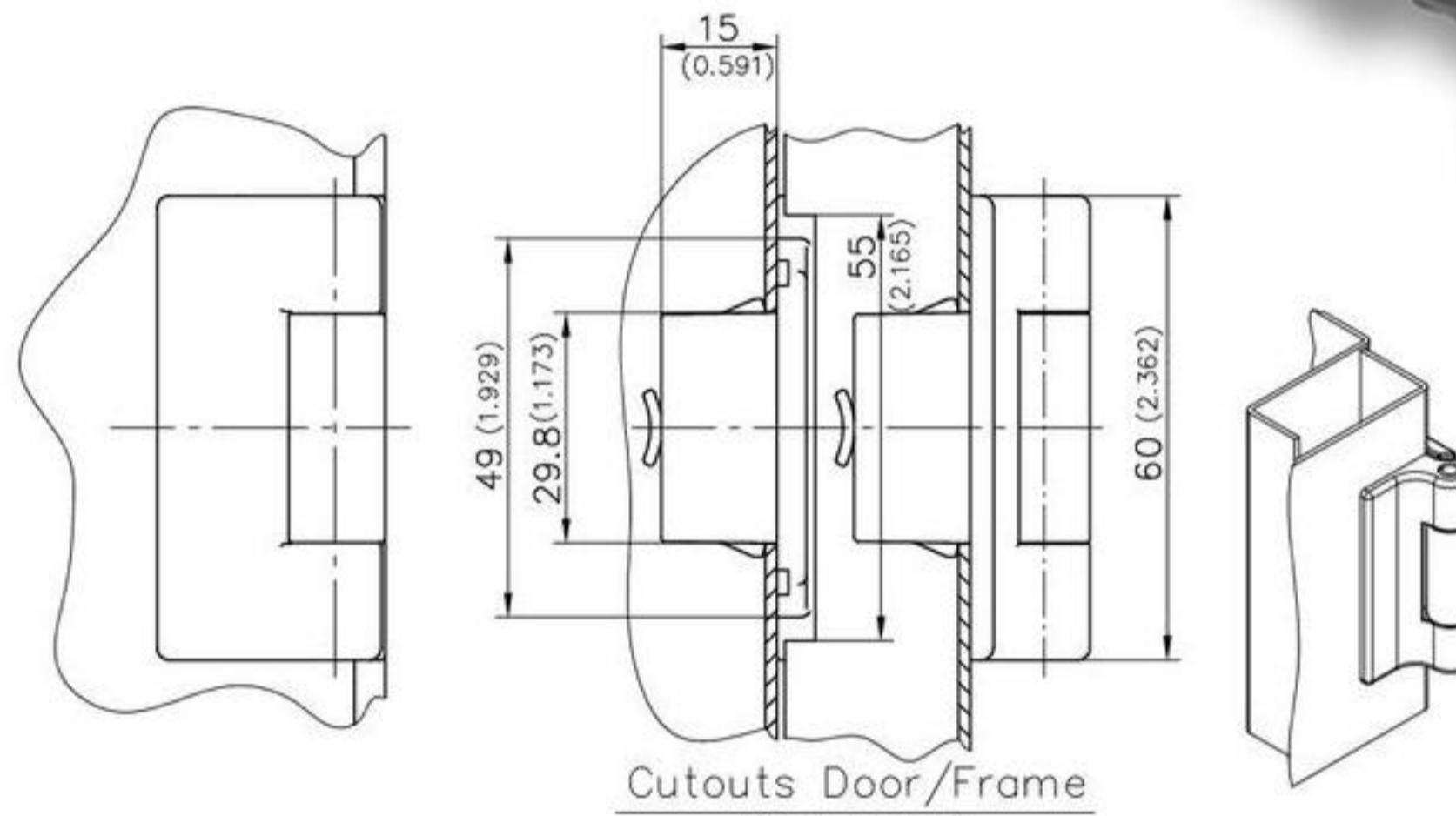


180° SNAP-LINE hinge.

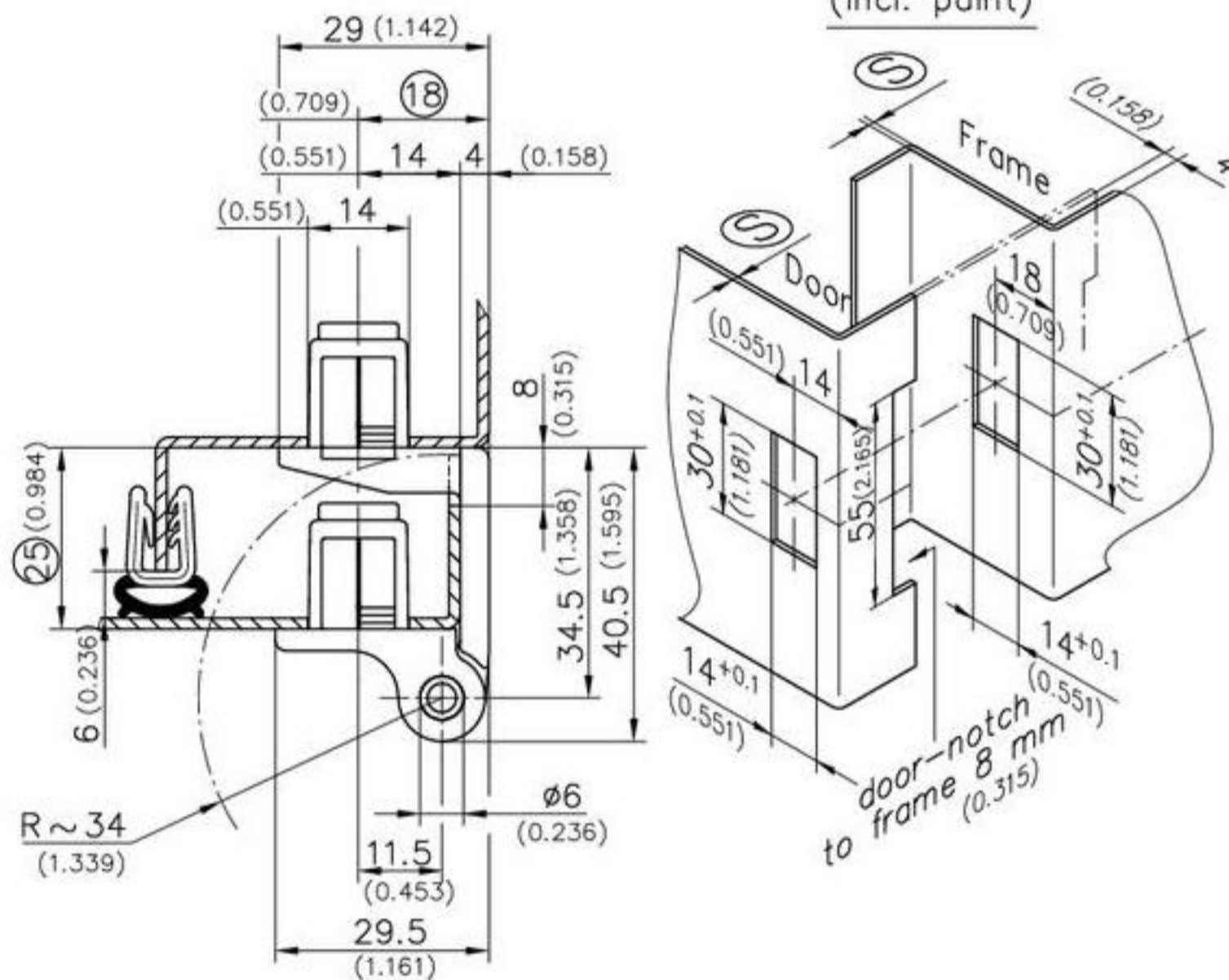
- Installation of both door part and frame part by simple snap-in.
- Seal for frame-part to Frame: on request.
- Dual hook SNAP-LINE with system dimension $\textcircled{18}$: see page 01.33.
- Water and dust tight according to IP65 DIN EN 60529 by using the O-ring (not included).
- For uninstallation see page 01.79.

Material:

- **Frame part:** zinc die, black
- **door part:** zinc die, black
- **Snap wedges:** sintered metal, plated
- **Pin:** stainless steel
- **Washer:** brass



Cutouts Door/Frame (incl. paint)



	Material thickness Door/Frame different e.g.: clamping range \textcircled{S} - Door	Material thickness Door/Frame identical e.g. clamping range Door/Frame \textcircled{S}	Part No.	see page
Hinge, snap-in	1,2 - 1,7	1,2 - 1,7	412-8001.00-01525	
		1,7 - 2,2	412-9001.00-00015	
		2,2 - 2,7	412-9001.00-00020	
		2,7 - 3,2	412-9001.00-00025	
		3,2 - 3,7	412-9001.00-00030	
O-ring			412-9001.00-00035	
Cover for cutout 30x14			200-1005.00-02420	
Reinforcement plate for thin-walled sheets and for higher loads:			292-0402.00-03014	01.106
Tool for uninstallation			292-0701.15-01530	01.108
or			292-0306.80-02530	01.109
			292-0301.15-00000	01.109