

### 3-960SL Dual hook SNAP-LINE

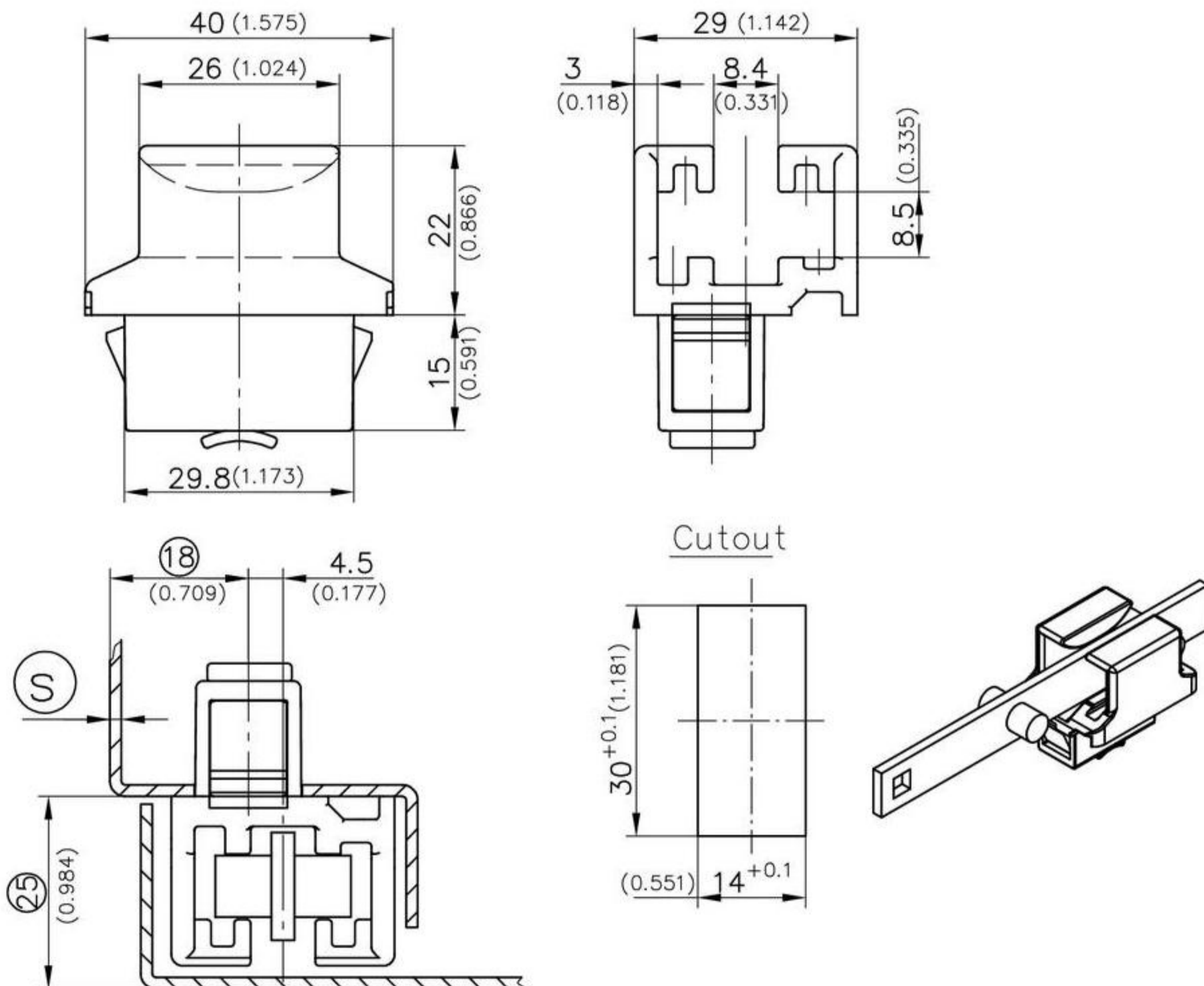


Dual hook SNAP-LINE for system dimension ⑱ and bending ⑳.

- Open version.
- Installation by a simple push into the cutout.
- For changing the door from the right to the left side or vice versa, this dual hook just has to be turned by 180°.

**Material:**

- **Dual Hook:**  
zinc die, zinc plated or black
- **Snap wedges:**  
sintered metal, plated



Dual Hook, complete	clamping range ⑳	zinc die, zinc plated	zinc die, black	see page
	1,2 - 1,7	408-9101.00-00015	408-9102.00-00015	
	1,7 - 2,2	408-9101.00-00020	408-9102.00-00020	
	2,2 - 2,7	408-9101.00-00025	408-9102.00-00025	
	2,7 - 3,2	408-9101.00-00030	408-9102.00-00030	
<b>Optional:</b>				
<b>Water and dust tight according to IP65 by:</b>				
O-ring		200-1005.00-02420	200-1005.00-02420	
Cover for cutout 30x14		292-0402.00-03014	292-0402.00-03014	01.106
Reinforcement plate for thin-walled sheets and for higher loads:		292-0701.15-01530	292-0701.15-01530	01.108
Tool for uninstallation		292-0306.80-02530	292-0306.80-02530	01.109
or		292-0301.15-00000	292-0301.15-00000	01.109