

1-117 Quarter-Turn for padlock Pr20.1 L22-32

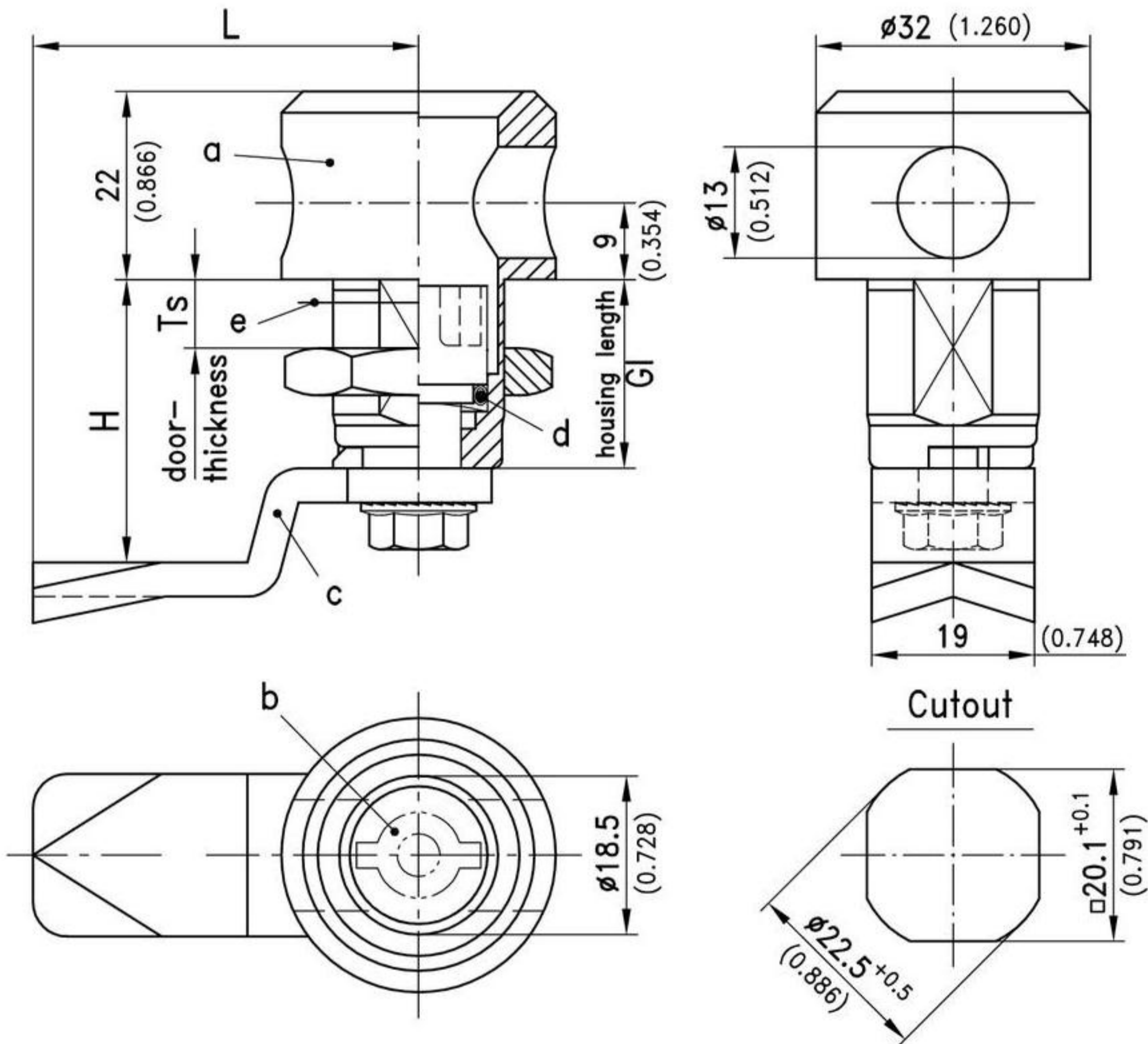


Quarter-Turn, RH or LH application.

- Quarter-Turn for padlock.
- The Quarter-Turn consists of three basic components a, b and c, which can be combined to suit your application.
- On request parts can be assembled by DIRAK.

Material:

- a) **Housing:** zinc die, chrome plated or black coated
- b) **Insert:** zinc die, chrome plated or black coated or combination of PA, black/ zinc die
- c) **Cams:** steel, zinc plated
- d) **Adapter:** zinc die, untreated



| a) Housing for padlock with single sided grounding/ earthing nut | | | | |
|--|---------|-------------------------|-----------------|--------------|
| GI | Ts max. | zinc die, chrome plated | zinc die, black | see page |
| 22 | 12 | 200-9082 | 200-9083 | |
| 32 | 22 | 200-9084 | 200-9085 | |
| b) Insert | | | | 02.34 |
| c) Cam | | | | 02.26, 02.58 |
| Optional: | | | | |
| Water- and dust-tight according to IP65 by: | | | | |
| d) O-Ring | | 200-1001 | 200-1001 | |
| e) Flat external seal | | 200-0901 | 200-0901 | |
| f) Adapter for insert at GI 32 | | 200-9031 | 200-9031 | 02.31 |