

2-090 Swinghandle RS PrC



Low profile swinghandle. Double insulated.

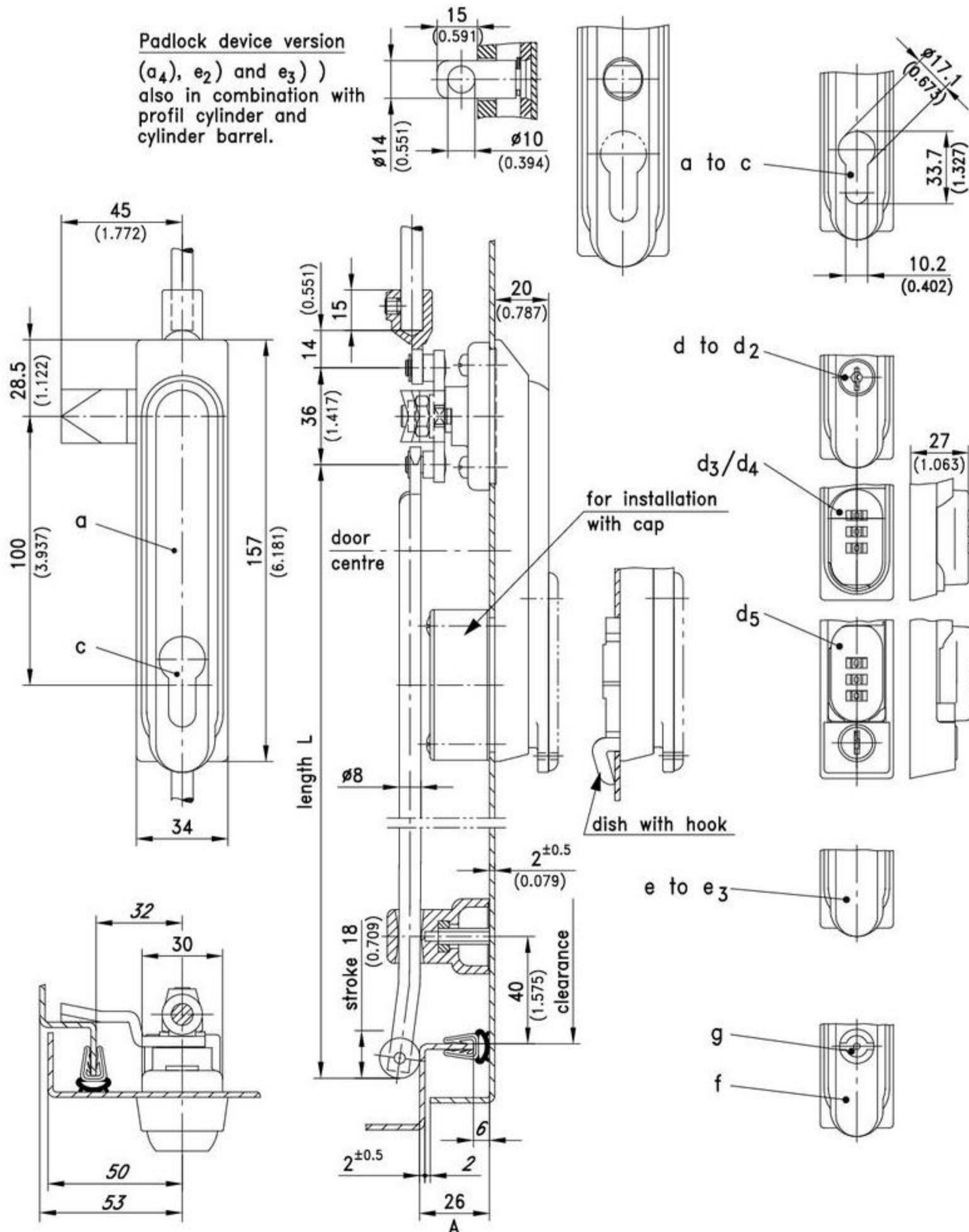
- The Swinghandle can be locked with 40mm long Profile Cylinders (DIN 18252), cylinder, combination lock or insert.
- RH or LH application.
- Water- and dust-tight according to IP65 DIN EN 60529.
- Detailed dimensions of the cutout PrC see page 04.5.

Material:

- a) to a4), b, b1), d) to d1), f) and f1)
- **Swinghandle:** PA, black or zinc die, chrome plated or black
- **Dish:** PA, black d3) and d4)
- **Swinghandle:** zinc die, black
- **Dish:** PA, black d5), e) to e3)
- **Swinghandle:** PA, black
- **Dish:** PA, black
- i)
- **Grounding/Earthing clip:** stainless steel AISI 304



Padlock device version (a₄, e₂) and e₃) also in combination with profil cylinder and cylinder barrel.



2-090SL Swinghandle RS PrC SNAP-LINE



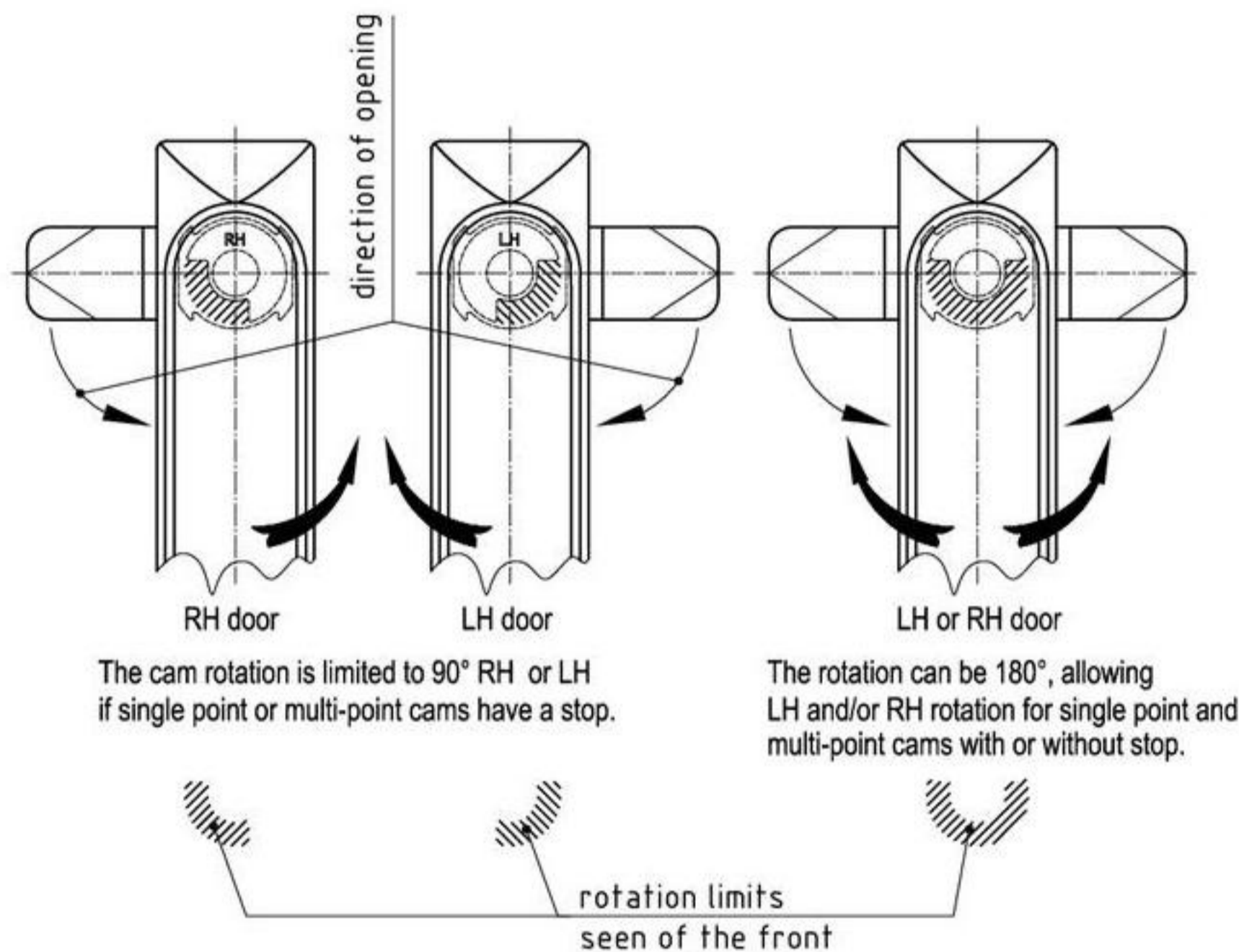
Swinghandle with pull-and-swing handle for profile cylinders to DIN 18252

- The 3 rotation-limit options allow single or multi-point cams with or without a rotations-stop
- 90° for RH doors with counter-clockwise opening
- 90° for LH doors with clockwise opening
- 180° for RH and LH, clockwise and counter-clockwise opening
- The rotation stop prevents a damaging over-rotation and brings the operating handle exactly in line with the dish-cavity preventing damaging of the dish.
- The IP65 will be achieved by the lower internal sealing cap.

- For further locking possibilities like KABA, DIRAK 1333, combination lock and pad lock eye please contact DIRAK

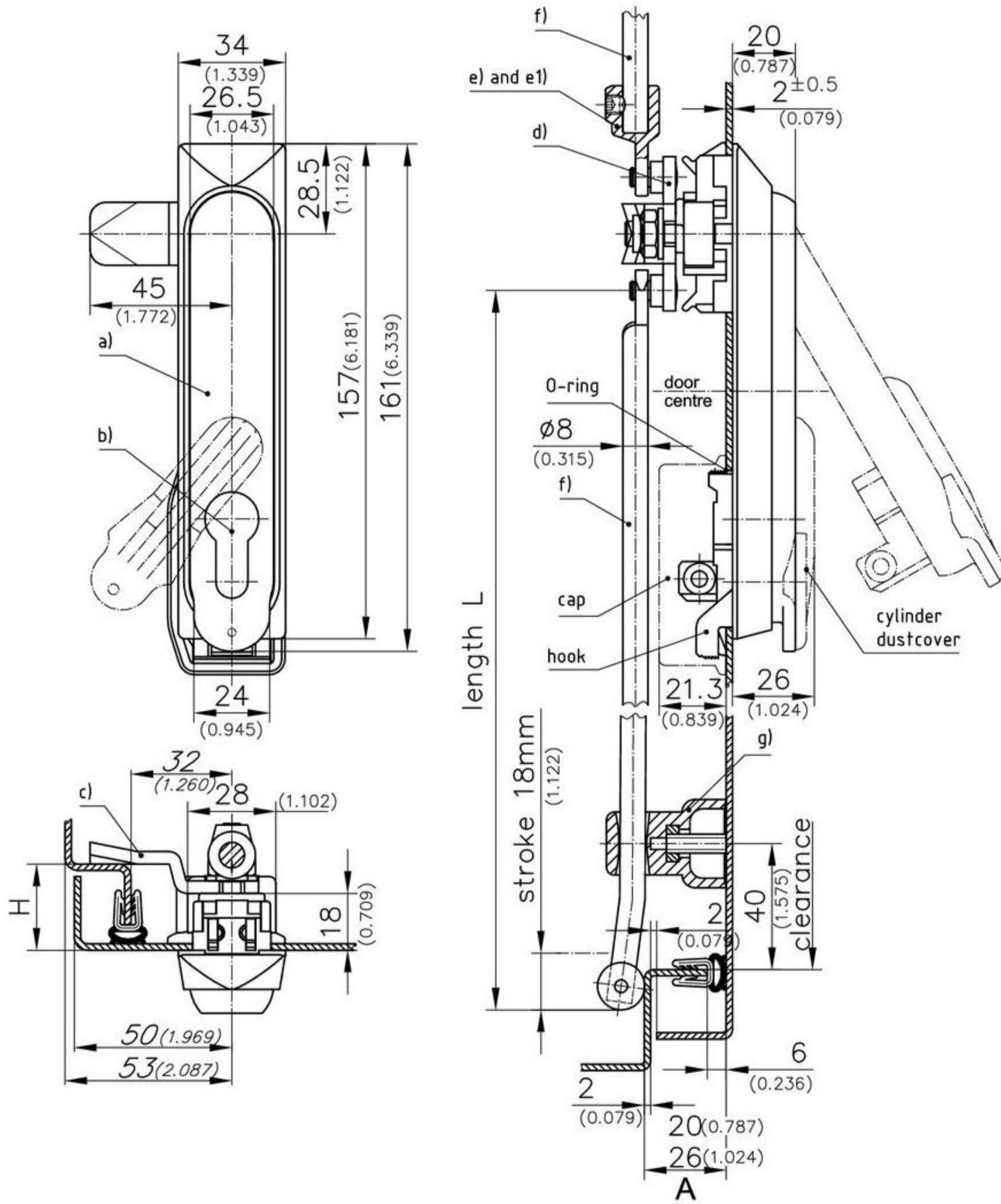
Material:

- **Dish, handle, cover, cap:** PA, black
- **O-Rings:** NBR Perbunan
- **Hexagon nut and washer:** steel, zinc plated
- **Shaft:** brass, natural
- **Snap wedges:** sintered steel
- **Dish:** zinc die, natural

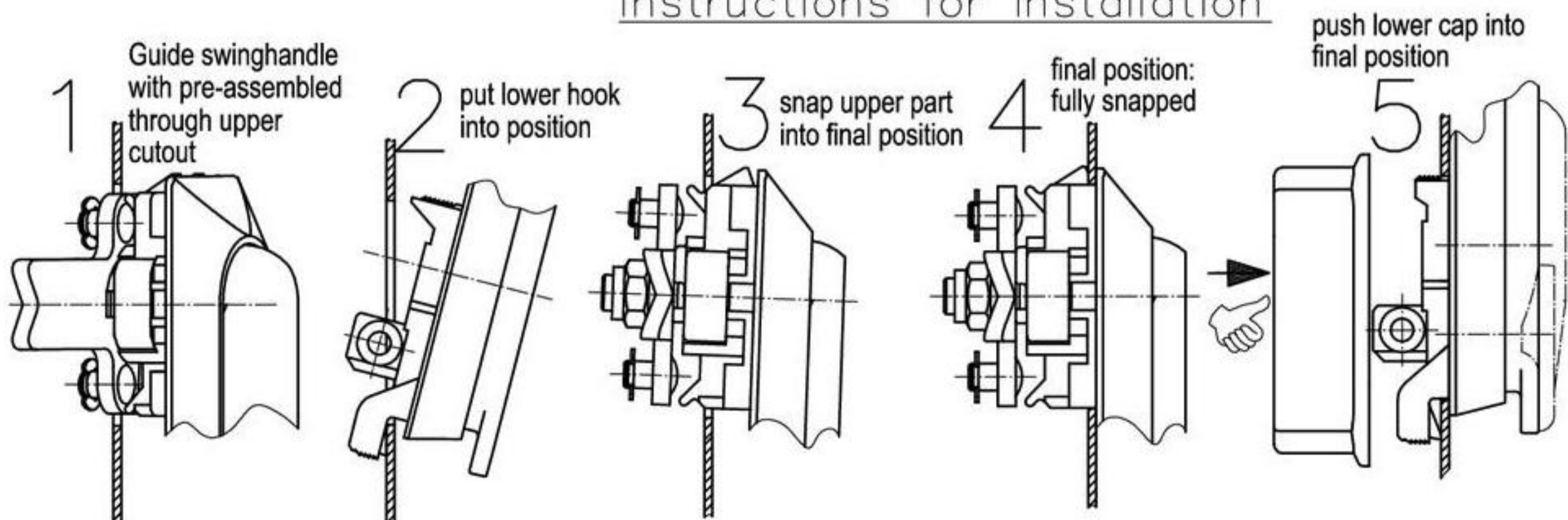


a) Swinghandle / dish with hook and cap					
limitation	stop	clamping range ☺	with dustcover	without dustcover	see page
90°	right	1,3 - 2,0	407-9505.00-00015	407-9506.00-00015	
		1,5 - 2,2	407-9505.00-00018	407-9506.00-00018	
		1,8 - 2,5	407-9505.00-00020	407-9506.00-00020	
90°	left	1,3 - 2,0	407-9507.00-00015	407-9508.00-00015	
		1,5 - 2,2	407-9507.00-00018	407-9508.00-00018	
		1,8 - 2,5	407-9507.00-00020	407-9508.00-00020	
180°	RH/LH	1,3 - 2,0	407-9509.00-00015	407-9510.00-00015	
		1,5 - 2,2	407-9509.00-00018	407-9510.00-00018	
		1,8 - 2,5	407-9509.00-00020	407-9510.00-00020	
b) Profil cylinder					03.34
c) Cam					02.30, 02.58, 02.61
d) 3-point cam					02.58, 03.38
e) Adapter			200-9601.00-00000	200-9601.00-00000	
e1) Adapter with clip-in installation			200-9621.00-00000	200-9621.00-00000	02.79
f) Round rod					02.75, 02.76
g) Rod Guide		for bending A20	200-3601.03-00000	200-3601.03-00000	02.77
g) Rod Guide		for bending A26	200-3602.03-00000	200-3602.03-00000	

2-090SL Swinghandle RS PrC SNAP-LINE



Instructions for installation





2-090 Swinghandle RS PrC

Swinghandle for Profile Cylinder for installation with cap (IP65)	zinc die chrome plated	zinc die, black	PA, black	see page
a) for Profile Cylinder 40mm long	107-9225	107-9226	207-9282	
a1) as a) but with lead sealable cylinder cover	-	107-9227	207-9283	
a2) as a1), but for profile cylinder 45mm long with cover	-	107-9228	207-9284	
a3) Design-Swinghandle				
for round DESIGN-inserts without ext. cyl. dustcover	-	-	207-9288	
for round DESIGN-inserts with ext. cyl. dustcover	-	-	207-9289	
for oblong DESIGN-inserts without ext. cyl. dustcover	-	-	207-9290	
Drawings, colored clip-in design-inserts and assembling of design-inserts				04.21
a4) as a), but with padlock device Swinghandle, dish with hook (no IP65 rating)	-	107-9282	-	
b) without ext. cyl. dustcover	on request	on request	107-9254	
b1) with ext. cyl. dustcover	on request	on request	107-9255	
c) Profile Cylinder according DIN 18252				03.34
d) Swinghandle with fitted cylinder barrel, without cover, for installation with cap (IP65)				
keyed alike DIRAK 1333*	107-9201	107-9202	207-9238	
keyed alike DS200*	507-9201	507-9202	507-9238	
keyed different/mixed	107-9203	107-9204	207-9239	
d1) as d), but with cover				
keyed alike DIRAK 1333*	-	-	207-9240	
keyed alike DS200*	-	-	507-9240	
keyed different/mixed	-	-	207-9241	
d2) as d), but dish with hook (no IP65 rating)	on request	on request	-	
Swinghandle with number lock				
d3) for installation with cap (IP65)	107-9268	107-9270	-	
d4) dish with hook (IP65 not possible)	107-9269	107-9271	-	
d5) Swinghandle with fitted cylinder barrel and combination lock, for installation with cap (IP65)				
keyed alike DIRAK 1333*	-	-	107-9277	
keyed alike but not DIRAK 1333*	-	-	107-9278+Key-No.	
Swinghandle, clip-in, handle closed				
e) for installation with cap (IP65)	-	-	107-9260	
e1) dish with hook (IP65 not possible)	-	-	107-9261	
e2) for padlock device, with cap and seals (IP65)	-	-	107-9262	
e3) for padlock device, dish with hook (no IP65 rating)	-	-	107-9263	
Swinghandle for fitting insert				
f) for installation with cap (IP65)	107-9205	107-9206	207-9244	
f1) dish with hook (no IP65 rating)	on request	on request	107-9279	
g) Inserts must be ordered separately				03.36
h) Assembling of inserts Accessories d) to g).	207-0016	207-0016	207-0016	03.16
i) Grounding/Earthing clip:	208-1201.04	208-1201.04	208-1201.04	04.40
* with stainless dust-shutter				