

2-060SL Pullhandle with slam-hook PrC SNAP-LINE

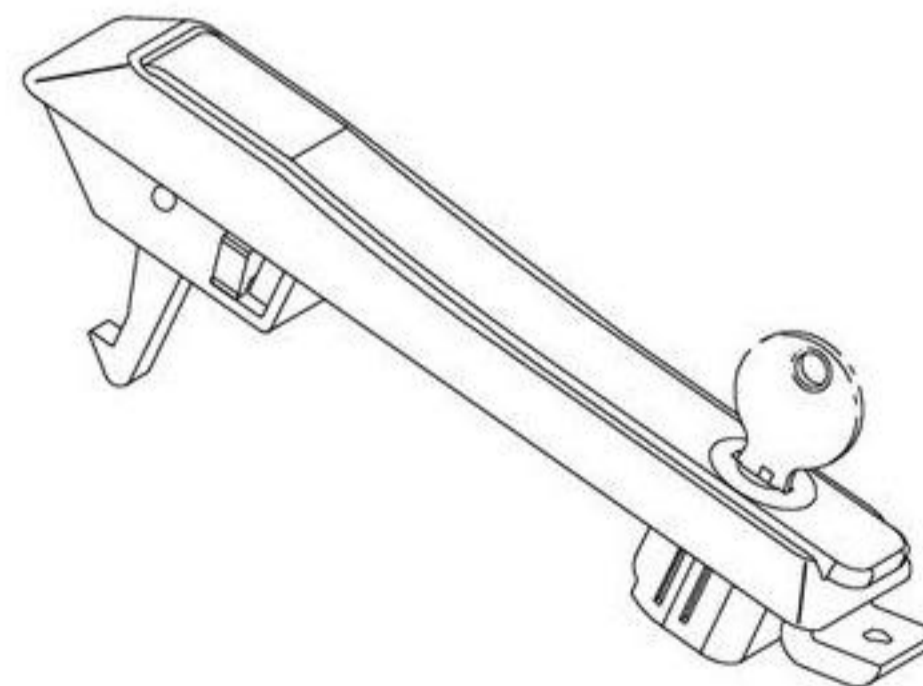
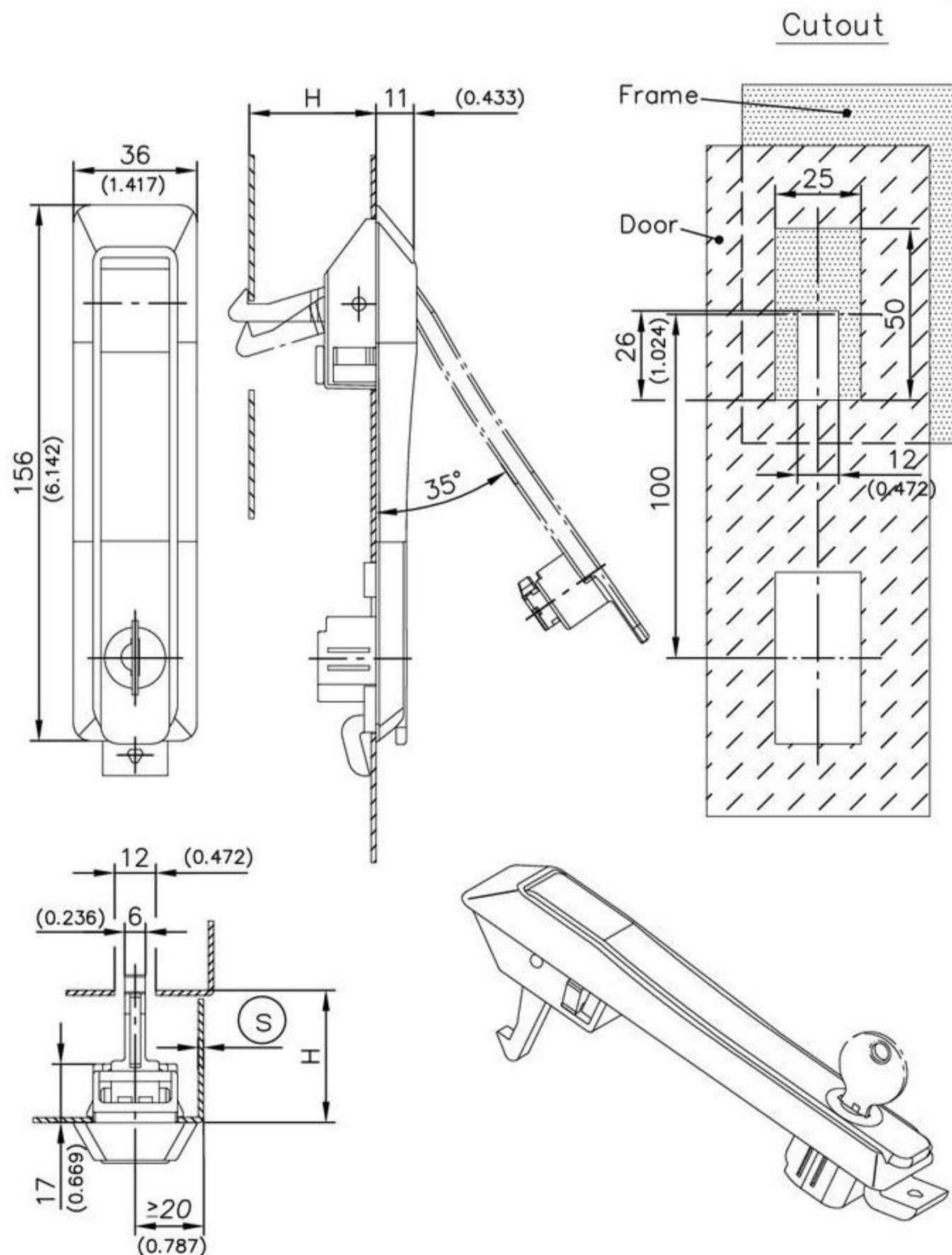


Pullhandle with slam-hook SNAP-LINE

- Opening operation: unlock handle and pull handle by 35°.
- Closing operation: push handle into the dish, lock the barrel and slam the door closed. (the spring-loaded hook is free-running)
- LH and RH application.
- A non-locked handle has a detent in the door-dish
- Installation:
- Hook lower part into the lower cutout.
- Snap top part into the upper cutout with a simple push.

Material:

- **Dish:** PA, black
- **Handle:** zinc die, black
- **Slam hook:** zinc die, natural
- **Snap wedges:** PA
- **Pin:** steel, zinc plated
- **Locking cylinder:** PA



Pullhandle, with slam hook	clamping range ©	H	keyed alike 1333	keyed different/mixed	see page
	1,2 - 1,7	37	407-9402.00-37015	407-9401.00-37015	
	1,7 - 2,2	37	407-9402.00-37020	407-9401.00-37020	
Other H- and © - dimension on request!					
Tool for uninstallation			292-0306.80-02530	292-0306.80-02530	01.109
Tool for uninstallation			292-0301.15-00000	292-0301.15-00000	01.109

2-060SL Pullhandle with slam-hook PrC SNAP-LINE

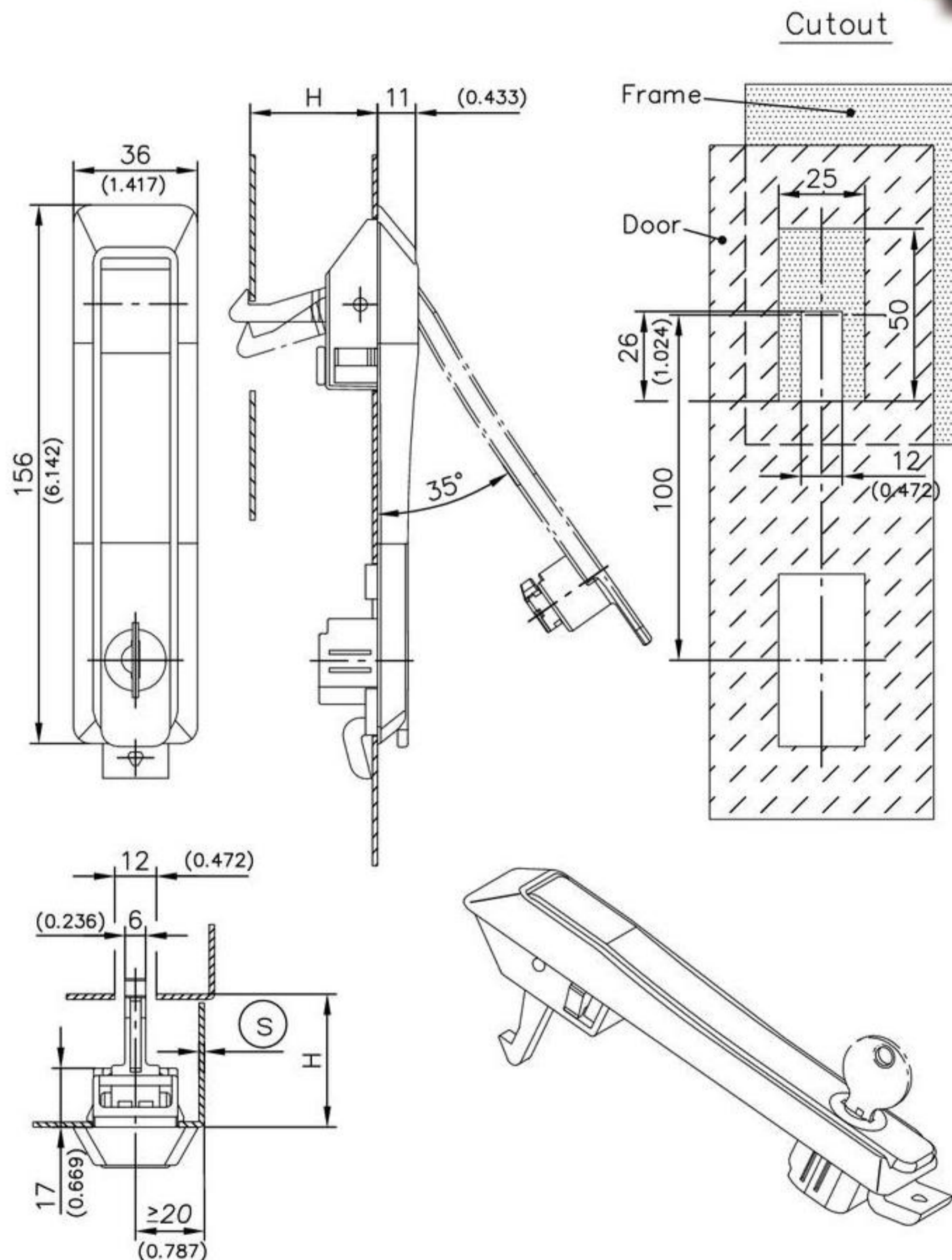


Pullhandle with slam-hook SNAP-LINE

- Opening operation: unlock handle and pull handle by 35°.
- Closing operation: push handle into the dish, lock the barrel and slam the door closed. (the spring-loaded hook is free-running)
- LH and RH application.
- A non-locked handle has a detent in the door-dish
- **Installation:** Hook lower part into the lower cutout. Snap top part into the upper cutout with a simple push.

Material:

- **Dish:** PA, black
- **Handle:** zinc die, black
- **Bolt/hook:** zinc die, natural
- **Snap wedges:** PA
- **Pin:** steel, zinc plated
- **Locking cylinder:** PA



Pullhandle, with slam hook	clamping range ©	H	keyed alike 1333	keyed different/mixed	see page
	1,2 - 1,7	37	407-9402.00-37015	407-9401.00-37015	
	1,7 - 2,2	37	407-9402.00-37020	407-9401.00-37020	
Further H- and ©-dimensions on request!					
Tool for uninstallation			292-0306.80-02530	292-0306.80-02530	01.109
Tool for uninstallation			292-0301.15-00000	292-0301.15-00000	01.109