

## 2-075SL Swinghandle RS PrC SNAP-LINE

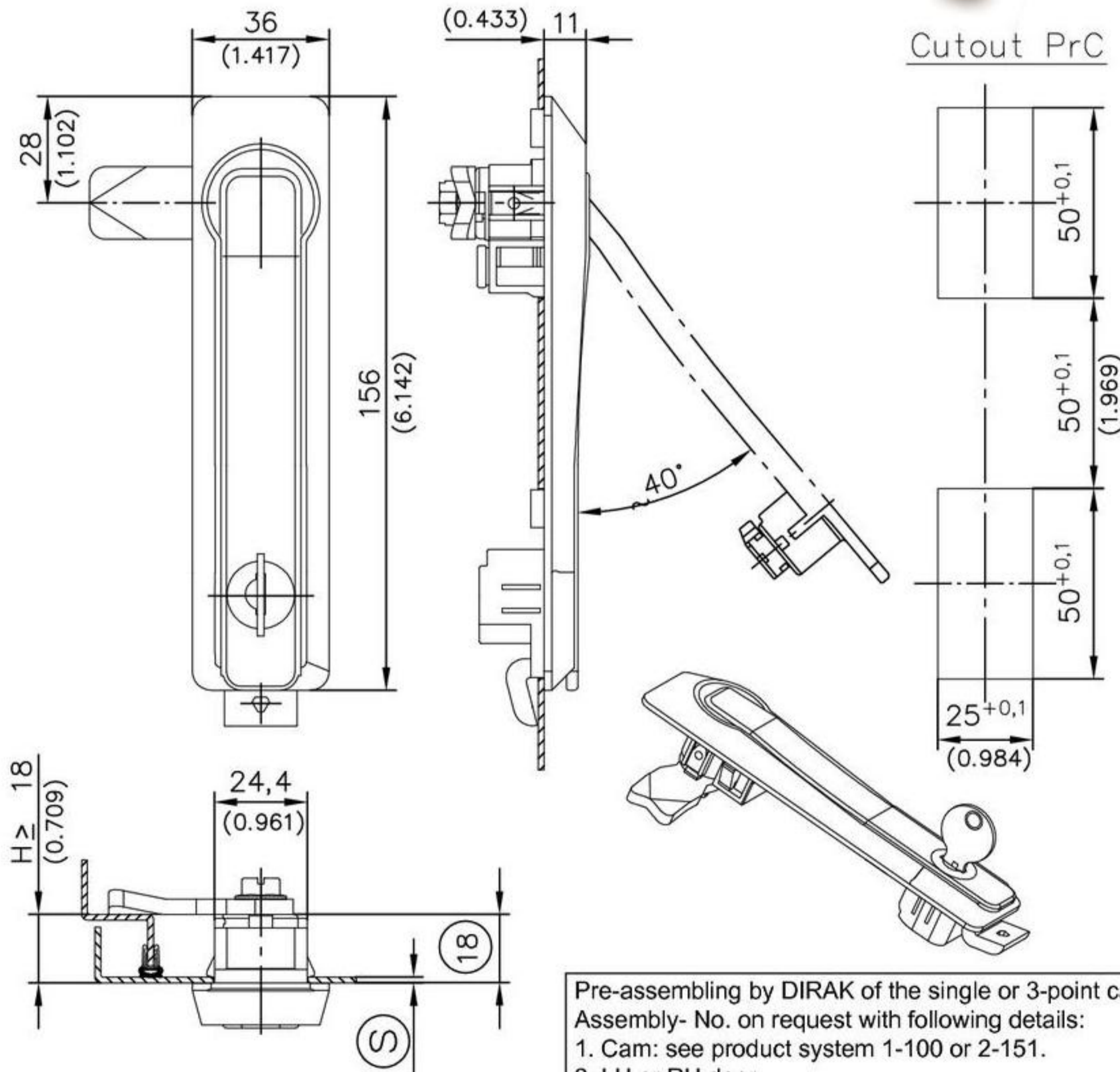


Swinghandle for cam and 3-Point cam SNAP-LINE

- This swinghandle has the shape of the Trim-Line handle and can be installed with the single or 3-point cam already pre-assembled by DIRAK.
- Grounding/ Earthing by earthing device.
- A non-locked handle has a detent in the door-dish.

**Material:**

- **Dish:** PA, black
- **Handle and turning-disk:** zinc die, black
- **Bottom (90° base) LH/RH:** zinc die, zinc plated
- **Grounding/Earthing clip:** stainless steel
- **Locking cylinder:** PA
- **Snap wedges:** PA



Pre-assembling by DIRAK of the single or 3-point cam:  
Assembly- No. on request with following details:

1. Cam: see product system 1-100 or 2-151.
2. LH or RH door
3. Door thickness ©
4. Keyed alike or keyed different / mixed

Swinghandle SNAP-LINE (without cam)				
clamping range ©	keyed alike 1333	keyed different/mixed	without cylinder, with plug	see page
1,2 - 1,7	407-9302.00-00015	407-9301.00-00015	407-9303.00-00015	
1,7 - 2,2	407-9302.00-00020	407-9301.00-00020	413-9303.00-00020	
Other © - dimension on request!				
Tool for uninstallation	292-0306.80-02530	292-0306.80-02530	292-0306.80-02530	01.109
Tool for uninstallation	292-0301.15-00000	292-0301.15-00000	292-0301.15-00000	01.109