

## 2-070 Swinghandle RS PrB

TRIMLINE



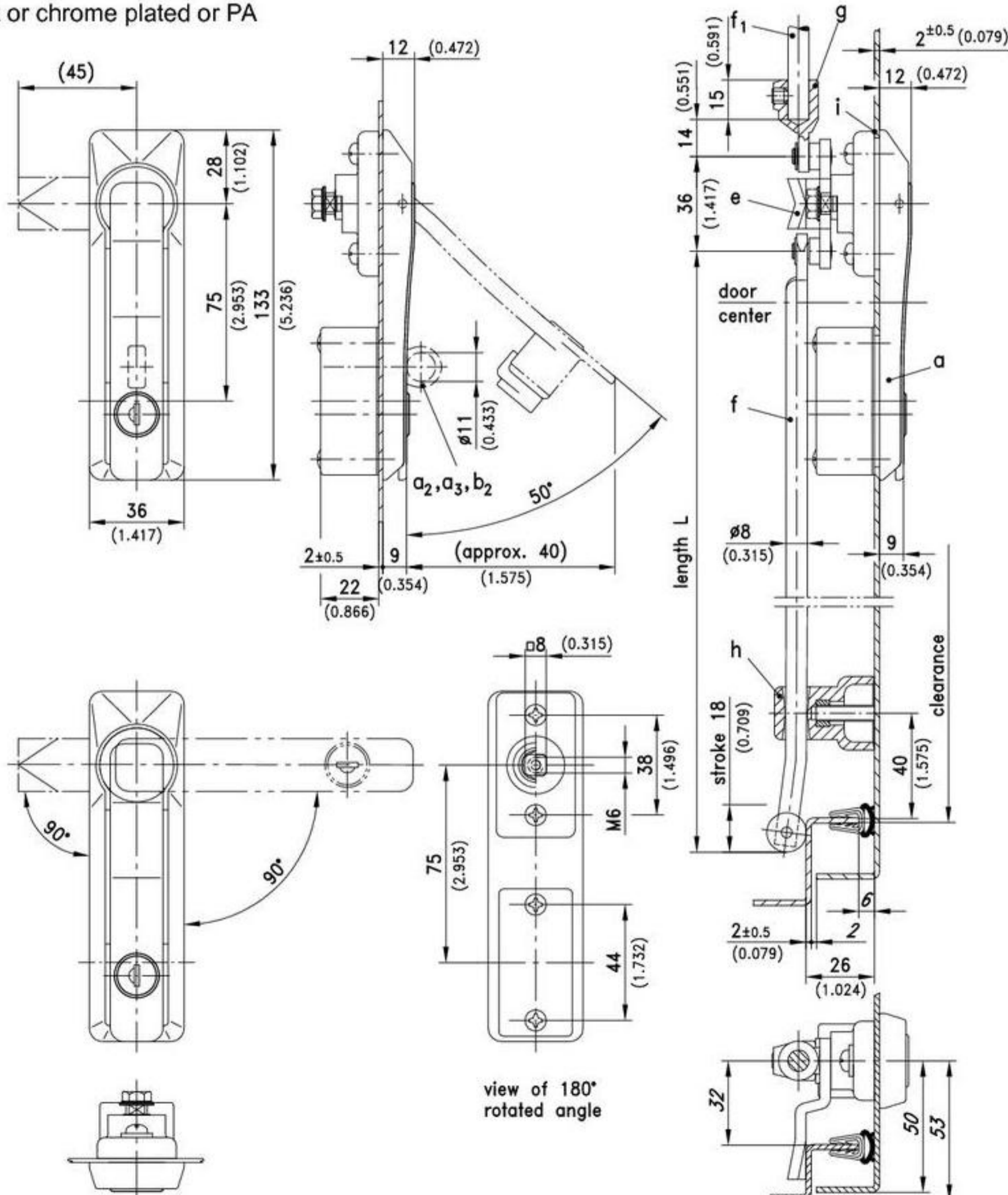
Swinghandle - TRIMLINE for 3-point cam and round rods.

- RH or LH application.
- Water- and dust-tight according to IP65 DIN EN 60529.
- Version for Rod-Latch and Flat Rods see page 04.12.
- Detailed dimensions of the cutout PrB see page 04.5.

**Material:**

- a), a1), a2) and a3)
- **Swinghandle:** zinc die, chrome plated or black coated
- **Dish:** zinc die, black or chrome plated or PA black a2)
- **Padlock eye:** stainless steel AISI 316 b), b1), and b2)
- **Swinghandle:** zinc die, chrome plated or black coated
- **Dish:** zinc die, black or chrome plated or PA black

- b2)
- **Padlock eye:** stainless steel AISI 316 c)
- **Insert:** zinc die, chrome plated e)
- **3-point cam:** steel, zinc plated f) and f1)
- **Round rods:** steel, zinc plated g)
- **Adapter:** zinc die, untreated h)
- **Rod Guide:** PA, black i)
- **Grounding/Earthing clip:** stainless steel





## 2-070 Swinghandle RS PrB

TRIMLINE

a) Swinghandle TRIMLINE with cylinder, IP65	zinc die chrome plated	zinc die, black	dish PA black	see page
keyed alike DIRAK 1333*	407-9007	407-9003	407-9023	
keyed alike D0200*	507-9007	507-9003	507-9023	
keyed different/mixed	407-9008	407-9004	407-9024	
a1) Swinghandle TRIMLINE for insert IP 65	407-9104	407-9102	407-9118	
a2) Swinghandle TRIMLINE for cylinder and padlock eye				
keyed alike DIRAK 1333*	407-9029	407-9031	-	
keyed different/mixed	407-9030	407-9032	-	
a3) Swinghandle TRIMLINE for insert + padlock eye	407-9109	407-9110	407-9121	
Inserts must be ordered separately, see c)				
Locking stub includes in handle assembly.				
<b>Combined Swinghandles</b>				
b) Swinghandle TRIMLINE with cylinder, IP65	dish:	zinc die chrome plated	zinc die, black	PA, black
	handle/disc:	zinc die, black	zinc die, chrome plated	zinc die, chrome plated
keyed alike DIRAK 1333*		407-9017	407-9011	407-9027
keyed alike D0200*		507-9017	507-9011	507-9027
keyed different/mixed		407-9018	407-9012	407-9028
b1) Swinghandle TRIMLINE for insert IP 65		407-9108	407-9106	407-9120
b2) Swinghandle TRIMLINE for insert + padlock eye		407-9111	407-9112	407-9122
Inserts must be ordered separately, see c)				
Locking stub includes in handle assembly.				
c) Insert				03.36
d) Assembling of inserts	207-0016	207-0016	207-0016	
<b>Optional:</b>				
e) 3-point cam				03.37
e1) The zinc die-bearing also allows a 1-point lock with cams				02.58
f) Round rod with eye				02.75, 02.76
f1) Round rod without eye				02.75, 02.76
g) Adapter, please order 1 per rod	200-9601	200-9601	200-9601	
h) Rod Guide, please order 2 pcs.	200-3602.03	200-3602.03	200-3602.03	02.77
i) Grounding/Earthing clip: * with stainless dust-shutter	208-1201.04	208-1201.04	208-1201.04	04.40