

1-120 Cylinder Quarter-Turn Pr20.1 L18

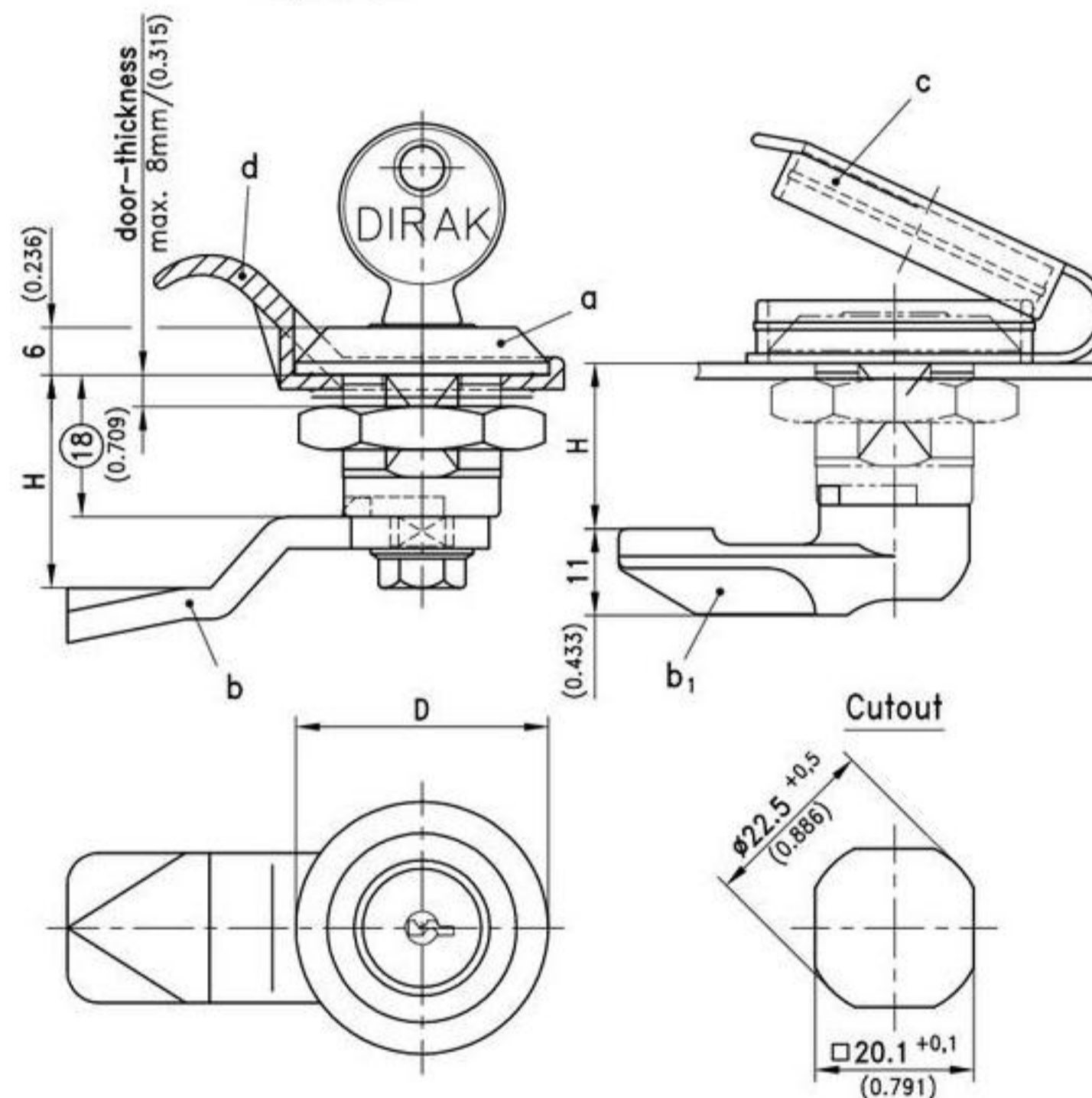


Cylinder Quarter-Turn, RH or LH application.

- The Quarter-Turn consists of two basic components which can be combined to suit your application.
- On request parts can be assembled by DIRAK.
- A pre-assembled Quarter-Turn can be installed in the cutout.

Material:

- a) **Housing:**
zinc die, chrome plated or black coated
- b) **Cam:**
steel, zinc plated or PA black
- c) **Dustcaps:**
PP, black or TPU, black
- d) **Finger pull:**
PA, black



Housing with tumbler-barrel and single sided grounding/earthing nut		Part No.	Part No.	see page
		chrome plated	black	
Bezel ϕ D = 28mm/ (1.102)	keyed alike DIRAK 1333*	200-9201	200-9202	
	keyed alike DS200*	500-9201	500-9202	
	keyed different/mixed	200-9203	200-9204	
Bezel ϕ D = 32mm/ (1.260)	keyed alike DIRAK 1333*	200-9205	200-9206	
	keyed alike DS200*	500-9205	500-9206	
	keyed different/mixed	200-9207	200-9208	
b) Cam steel (zinc plated)				02.61, 02.58
b1) Cam PA (black)				02.30
Optional:				
Water- and dust-tight according to IP65 by:				
c) Dust cap				02.80
d) Finger pull				02.80
e) Assembling without O-Ring		200-0001	200-0001	
All locks supplied with two keys.				

* with stainless dust-shutter

1-120SL Cylinder Quarter-Turn Pr32x20 L22 SNAP-LINE



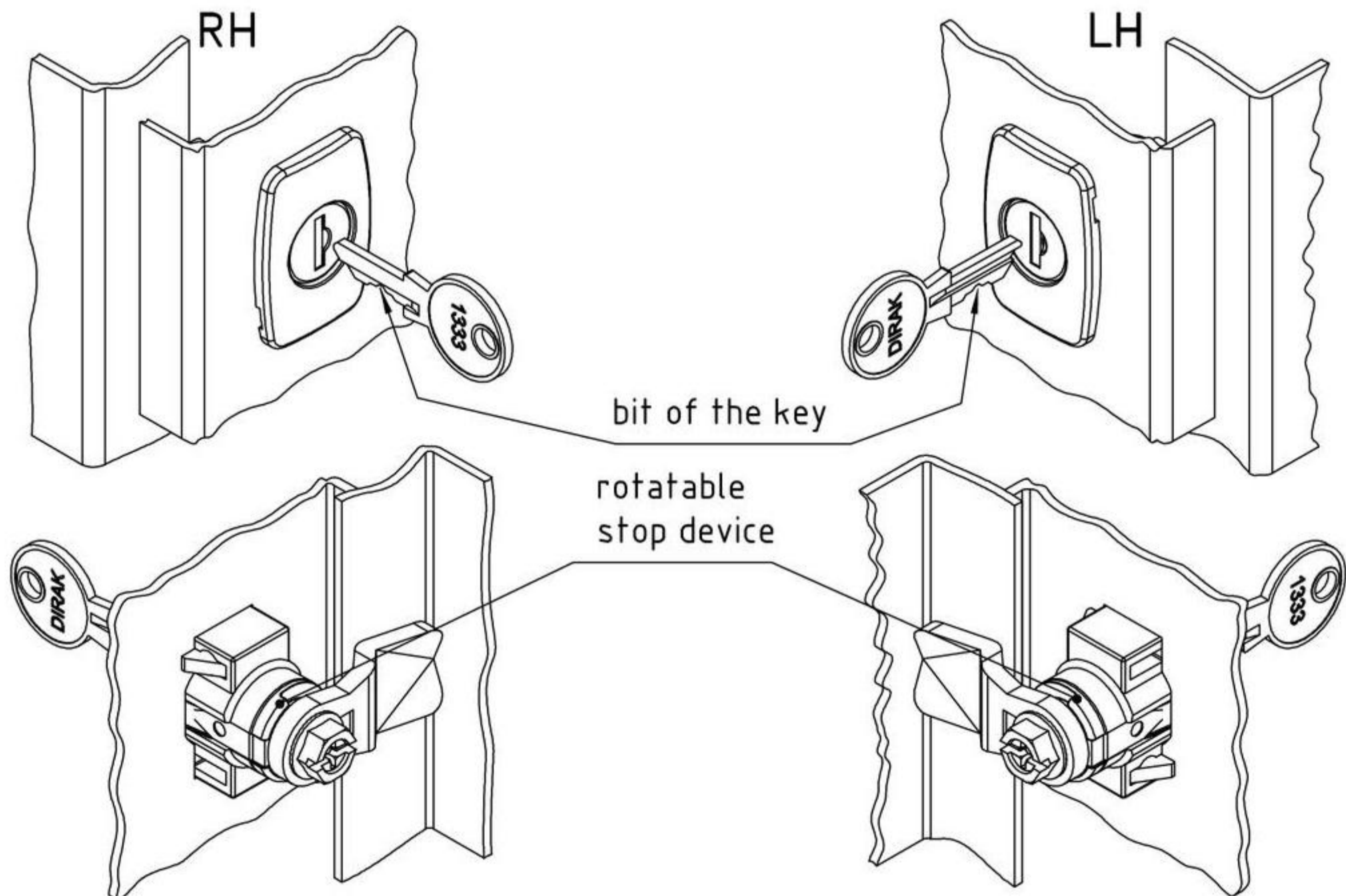
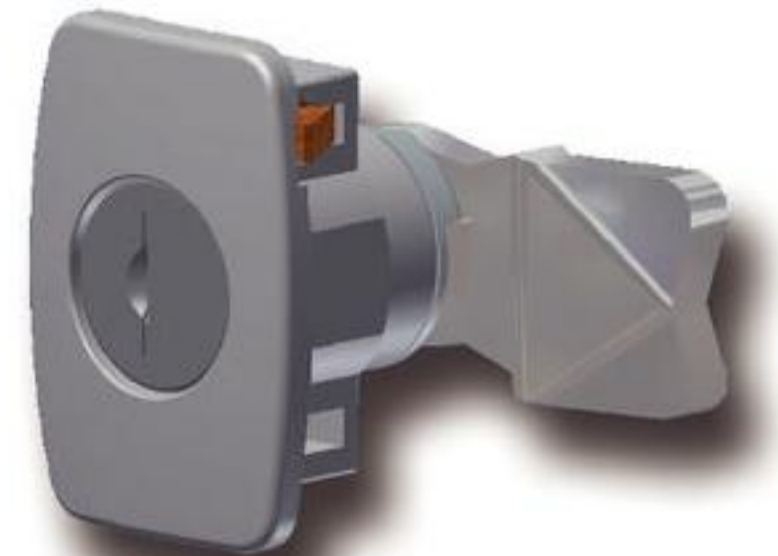
Elegant, flush Quarter-Turn for Snap-in installation into cutout 32x20.1mm.

- Especially narrow design.
- A pre-assembled quarter-turn can be fitted through the cutout.
- Installation by a simple push into the cutout.
- No tools needed.
- Vibration-proof.
- Blind installation.
- Rectangular cutout guarantees a perfect alignment.
- LH and RH application.
- The rotatable stop device can be positioned in any 90° position, making the bit of the key always pointing in the same direction for both RH and LH doors.

- Pre-assembly upon request.
- Earthing/ Grounding see d).
- Attention:
- H-dimension of the cam L=35 ≥ 12mm (0.472)!
- H-dimension of the cam L=45 ≥ 6mm (0.236)!

Material:

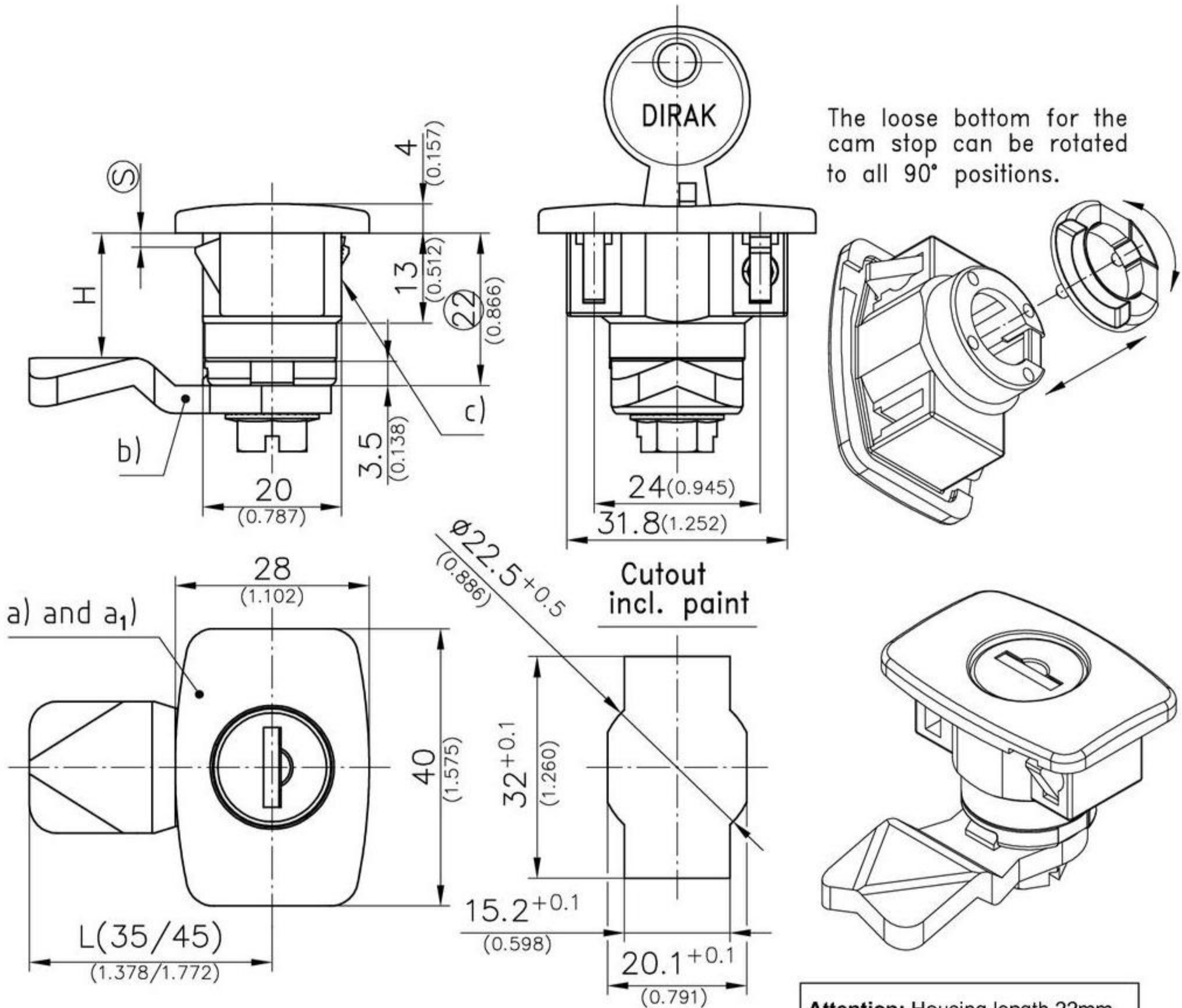
- **Housing and cylinder:** zinc die, chrome plated
- **Snap wedges:** sintered steel
- **loose bottom:** zinc die, zinc plated
- **Serrated screw with cam:** steel, zinc plated



	clamping range ©	Part No.	see page
a) Cylinder Quarter-Turn	1,0 - 1,7	406-9007.00-00013	
keyed alike DIRAK 1333*	1,5 - 2,2	406-9007.00-00018	
	2,3 - 3,0	406-9007.00-00026	
a1) Cylinder Quarter-Turn	1,0 - 1,7	406-9008.00-00013	
keyed different/mixed	1,5 - 2,2	406-9008.00-00018	
	2,3 - 3,0	406-9008.00-00026	
Other © - dimension on request!			
b) Cam			02.61
c) Grounding/Earthing clip:		200-1103.04-00000	
d) Please contact DIRAK for part no. of a completely pre-assembled SNAP-LINE Quarter-Turn.			

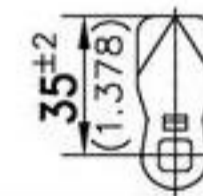
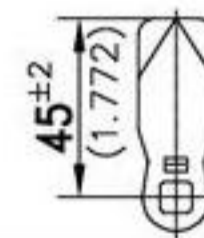
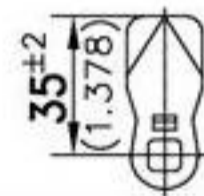
* with stainless dust-shutter

1-120SL Cylinder Quarter-Turn Pr32x20 L22 SNAP-LINE



The loose bottom for the cam stop can be rotated to all 90° positions.

Attention: Housing length 22mm, this changes the H-dimension by 4mm. Please see table.



b) Cam H in mm:

6	200-0402	-	32	200-0428	200-0628
8	200-0404	-	34	200-0430	200-0630
10	200-0406	-	36	200-0432	-
12	200-0408	200-0608	38	200-0434	-
14	200-0410	200-0610	39	200-0435	200-0635
17	200-0413	200-0613	40	200-0436	-
18	200-0414	200-0614	42	200-0438	200-0638
20	200-0416	200-0616	44	200-0440	200-0640
22	200-0418	200-0618	46	200-0442	200-0642
24	200-0420	200-0620	48	200-0444	200-0644
26	200-0422	200-0622	49	200-0445	-
28	200-0424	200-0624	51	200-0447	-
29	200-0425	200-0625	54	200-0450	-
30	200-0426	200-0626	57	200-0453	-
			59	200-0455	-