

### 1-083SL Quarter-Turn Pr32x20 L18 SNAP-LINE



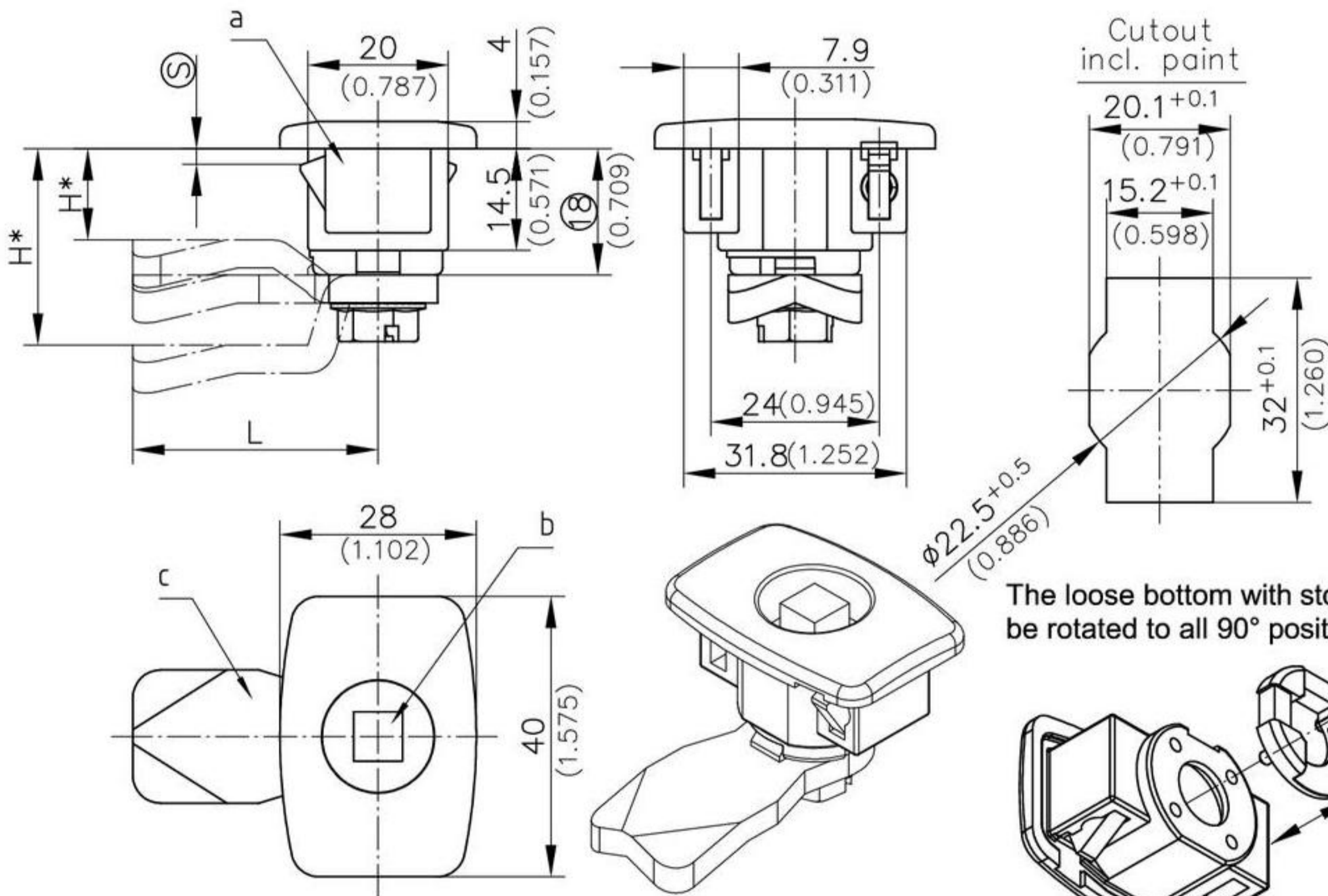
Elegant, flush Quarter-Turn for Snap-in installation into cutout 32x20.1mm.

- Pre-assembled Quarter-Turn can easily be snapped-in.
- Vibration-proof.
- Blind installation.
- Rectangular cutout guarantees a perfect alignment.
- LH and RH application (bottom with 90°-stop can be rotated).
- Pre-assembly upon request.

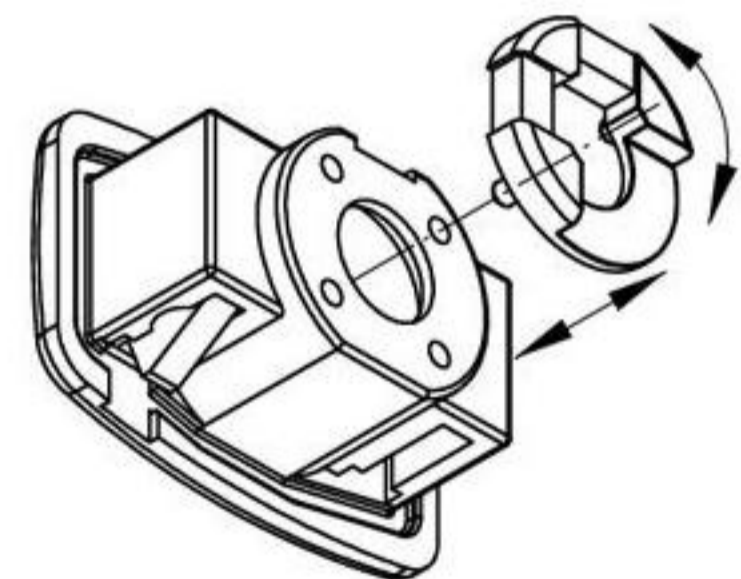
- IP65 upon request O-rings (are included).
- Earthing/ Grounding see d).
- **Attention:** H-dimension of the cam  $\geq 12\text{mm}$  (0.472)!

**Material:**

- **Housing:** PA, black or zinc die, chrome plated
- **Snap wedges:** sintered steel



The loose bottom with stop can be rotated to all 90° positions.



	clamping range ©	PA black	Zinc die, chrome plated	see page
a) Housing	1,0 - 1,7	406-9005.00-00013	406-9006.00-00013	
	1,3 - 2,0	406-9005.00-00016	406-9006.00-00016	
	1,5 - 2,2	406-9005.00-00018	406-9006.00-00018	
	1,8 - 2,5	406-9005.00-00021	406-9006.00-00021	
	2,3 - 3,0	406-9005.00-00026	406-9006.00-00026	
	2,8 - 3,5	406-9005.00-00031	406-9006.00-00031	
	4,3 - 5,0	406-9005.00-00046	406-9006.00-00046	
Other © - dimension on request!				
b) Insert				02.30, 02.34, 10.10
c) Cam				02.58, 10.10, 10.12, 02.61
c1) 3-point cam				02.58, 03.38
d) Grounding/Earthing clip (not shown)		200-1101.04-00000	200-1101.04-00000	
e) Please contact DIRAK for part no. of a completely pre-assembled SNAP-LINE Quarter-Turn.				