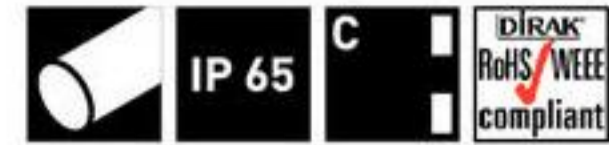


7-066 NT Swinghandle RS PrC

stainless steel AISI 316L



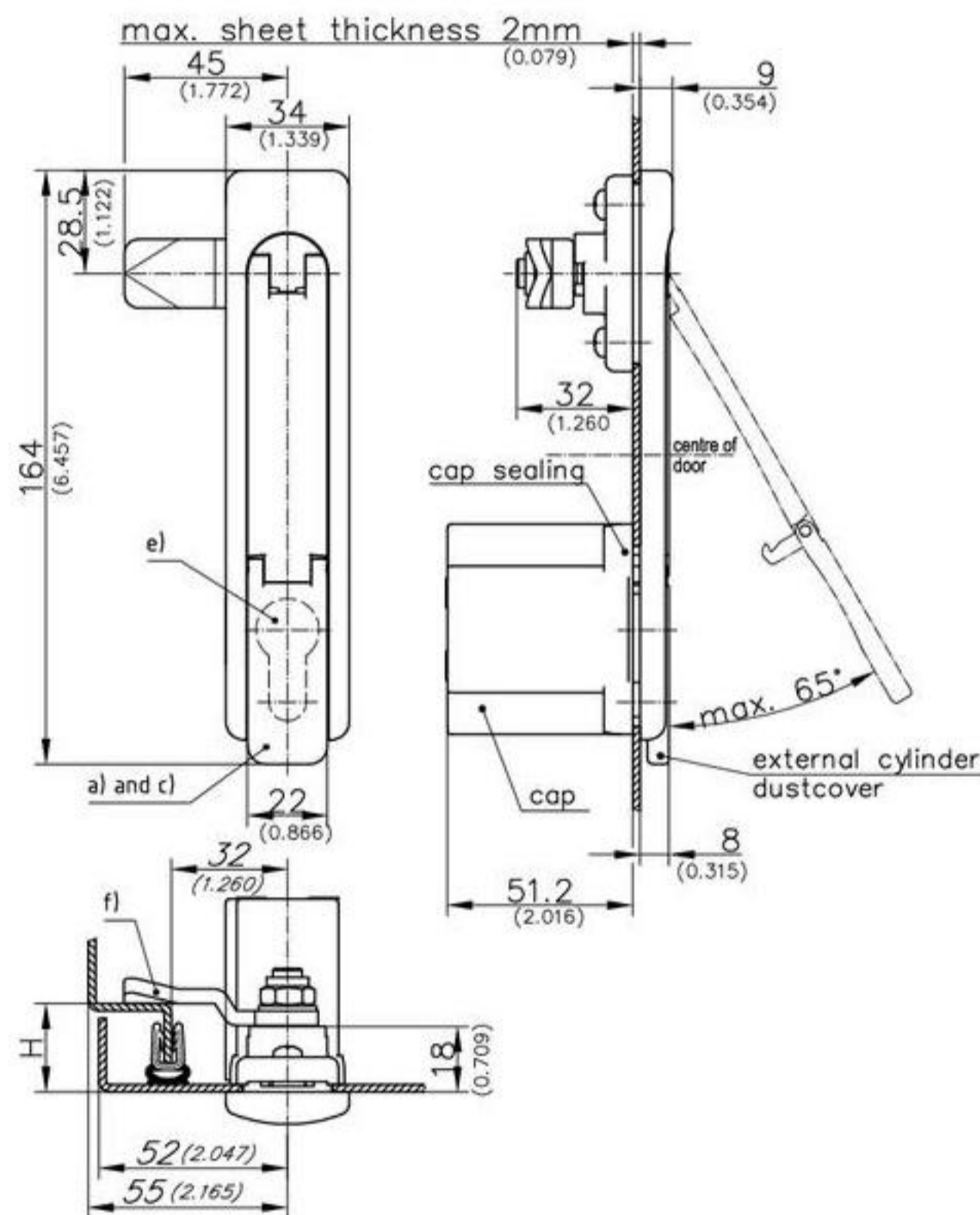
Low profile, elegant swinghandle to control cams and/or round rod systems. The design and the extremely narrow gap between handle and body makes this swinghandle suitable against vandalism. The low profile design prevents this swinghandle being used as climbing support.

- Locking cylinder fitted in the dish.
- A cage protects the locking cylinder from being deliberately pushed or forced through.
- Bolted internal cap is made of stainless steel.
- Easy fitting.
- Cutout 50x25mm version PrC see page 04.5
- Water- and dust-tight according to IP65 DIN EN 60529.

- ~135° Swing.
- Stroke 35mm(1.378).
- RH and LH application.
- Cover optional screw down.

Material:

- **Dish, handle, cover, cap, rotating disk, spring, grooved pin, pin with axial knurl, locking bolt, bearing plate, serrated screw, screw and nut:**
stainless steel
- **Cap sealing:**
NBR
- **O-Ring:**
NBR/Perbunan, black
- **Washer:**
PTFE- Teflon



	Part No.	see page
a) NT-Swinghandle stainless steel for Profile Cylinders 40 and 45mm	307-9302.00-00000	
b) NT-Swinghandle stainless steel for Profile Cylinders 40 and 45mm, cover screw down	307-9305.00-00000	
c) NT-Swinghandle stainless steel for KABA	on request	
d) NT-Swinghandle stainless steel for KABA, cover screw down	307-9304.00-00000	
e) Profile cylinder only version A		03.34, 10.36
f) Cam		10.10
g) Cam adapter		10.39
h) Round rod with eye		10.38
i) Rod Guide for bending	A20 200-3601.03-00000	
Rod Guide for bending	A26 200-3602.03-00000	

7-066 NT Swinghandle RS PrC

stainless steel AISI 316L

