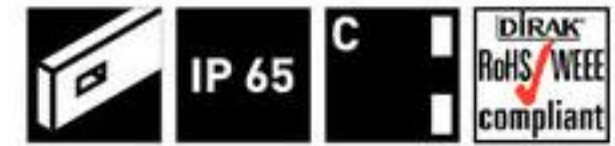


## 7-061 NT Swinghandle FS PrC

stainless steel AISI 316



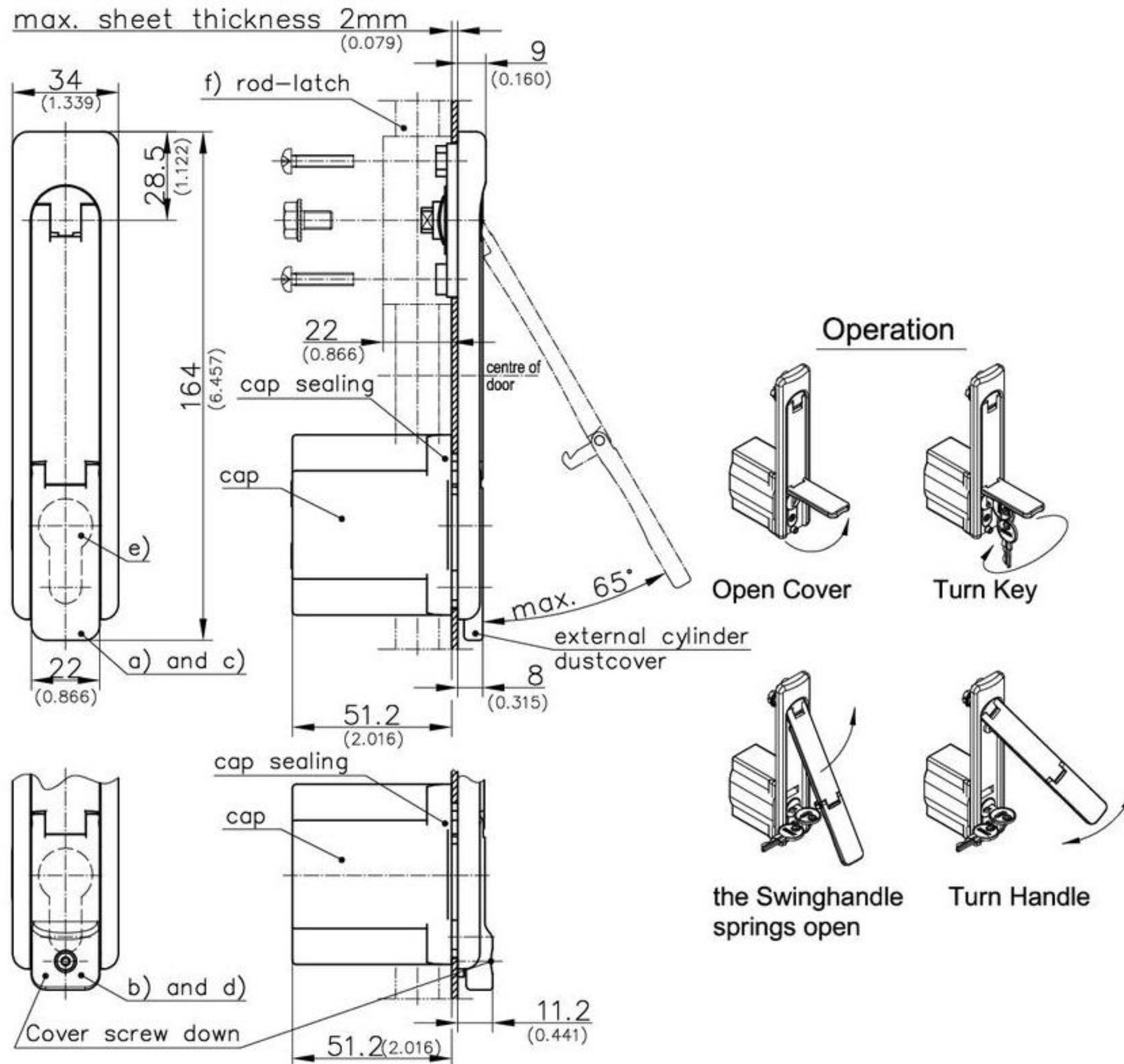
Low profile, elegant swinghandle for application with rod-latch system see page 10.32. The design and the extremely narrow gap between handle and body makes this swinghandle suitable against vandalism. The low profile design prevents this swinghandle being used as climbing support.

- Locking cylinder fitted in the dish.
- A cage protects the locking cylinder from being deliberately pushed or forced through.
- Bolted internal cap is made of stainless steel.
- Easy fitting.
- Cutout 50x25mm further dimensions of cutout version PrC see page 04.5

- Water- and dust-tight according to IP65 DIN EN 60529.
- ~135° Swing.
- RH and LH application.
- Cover optional screw down.

**Material:**

- **Dish, handle, cover, cap, rotating disk, spring, grooved pin, pin with axial knurl, locking bolt, serrated screw, countersunk screw and raised head screw:** stainless steel
- **Cap sealing:** NBR
- **O-Ring:** NBR/Perbunan, black
- **Washer:** PTFE- Teflon



	Part No.	see page
a) NT-Swinghandle stainless steel for Profile Cylinders 40 and 45mm	307-9301.00-00000	
b) NT-Swinghandle stainless steel for Profile Cylinders 40 and 45mm, cover screw down	307-9306.00-00000	
c) NT-Swinghandle stainless steel for KABA	on request	
d) NT-Swinghandle stainless steel for KABA, cover screw down	307-9303.00-00000	
e) Profile cylinder only version A		03.34, 10.36
f) Rod-latch		10.32