

## 1-042SL SNAP-Joiner 30x10

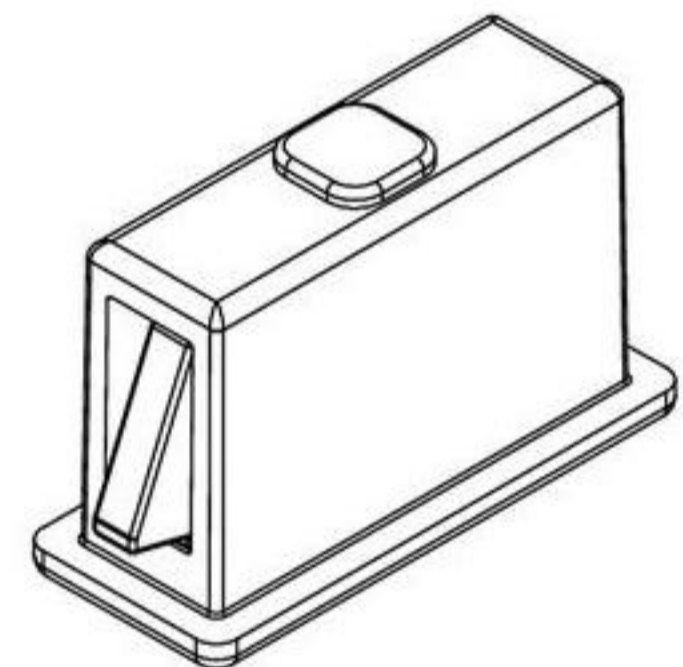
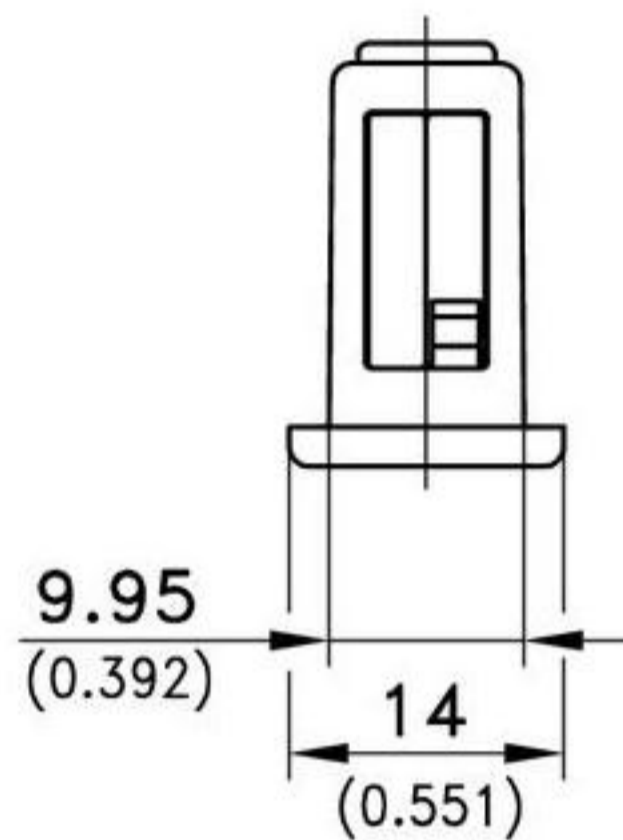
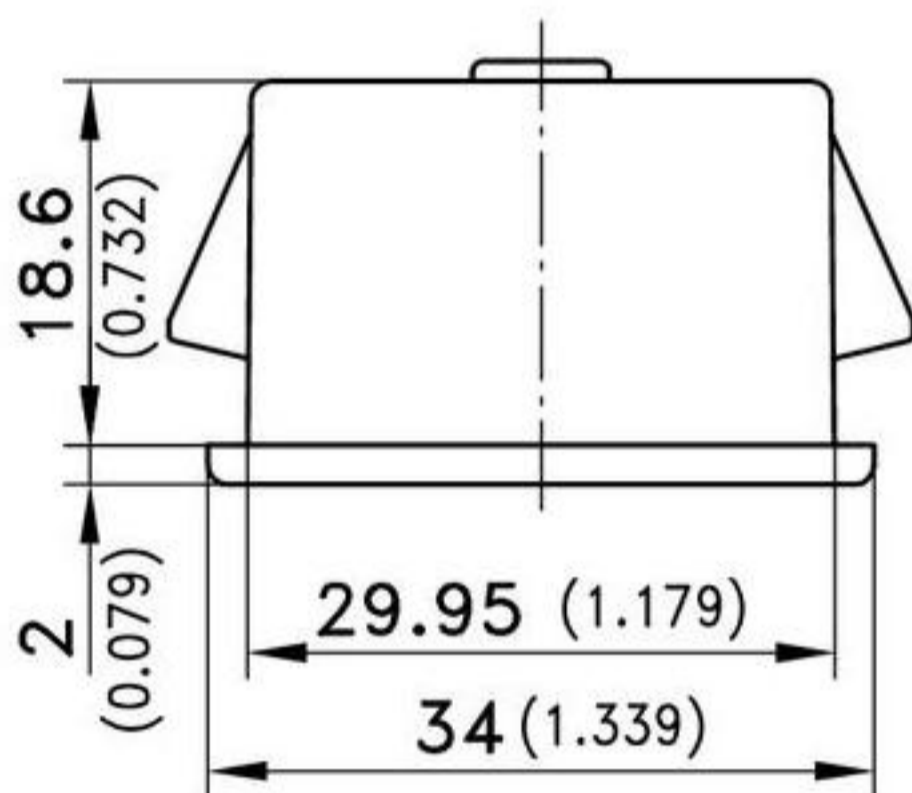


SNAP-Joiner for joining flat metal sheets.

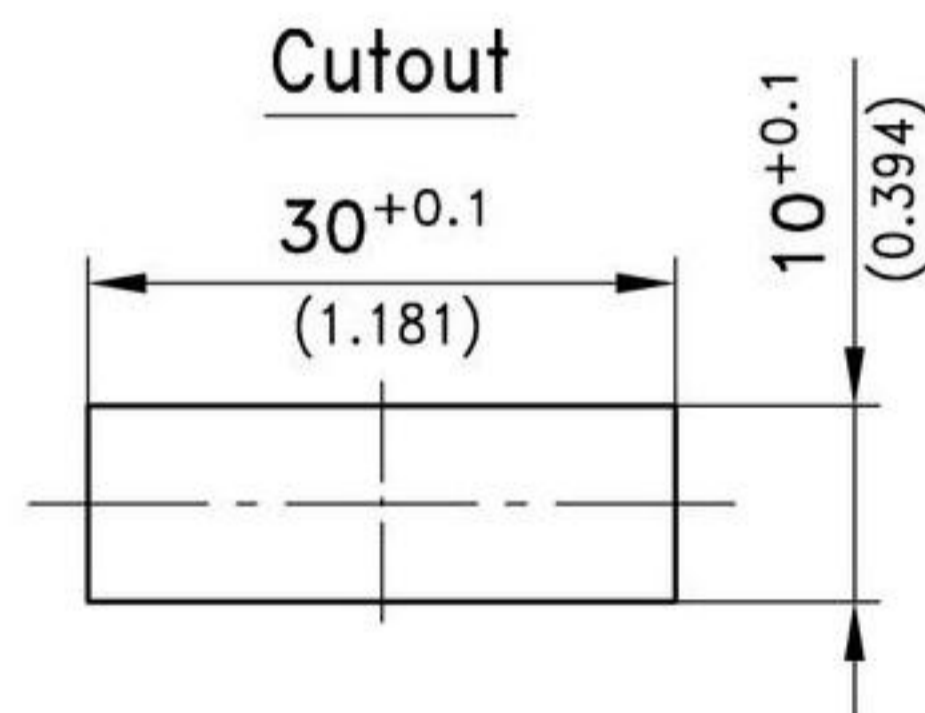
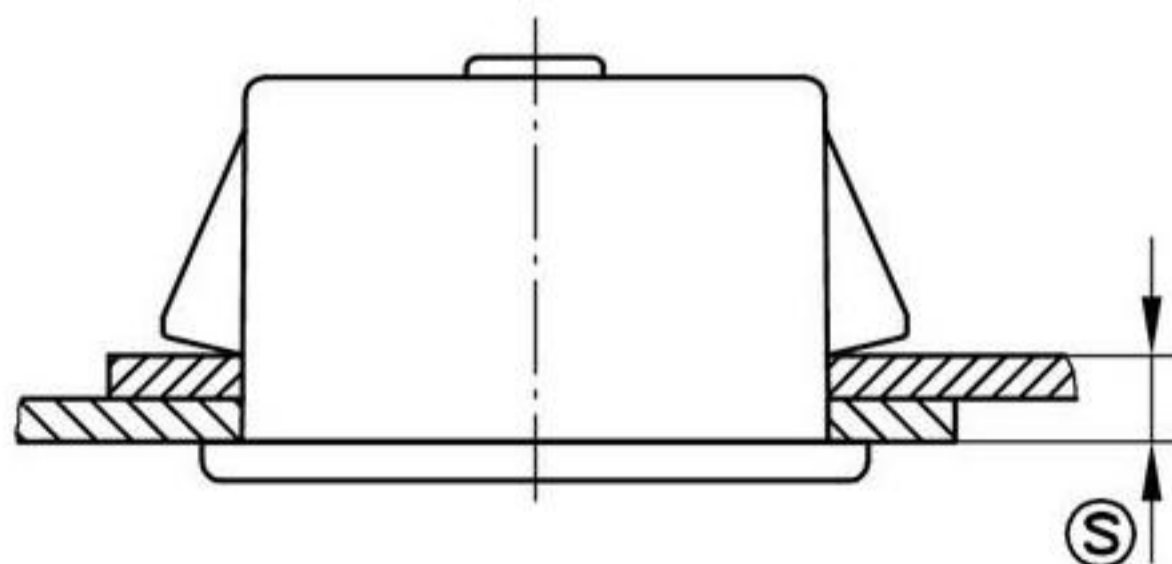
- This joiner is suitable for thicknesses of totally 8mm.
- The joining is achieved by pushing the Snap-Joiner into the cutouts.

**Material:**

- **Housing:** zinc die, black
- **Snap wedges:** sintered steel



### Example of application



	clamping range ©	Part No.	see page
SNAP-Joiner	3,7 - 4,2	294-9106.00-00040	
	4,2 - 4,7	294-9106.00-00045	
	4,7 - 5,2	294-9106.00-00050	
	5,2 - 5,7	294-9106.00-00055	
	5,7 - 6,2	294-9106.00-00060	
	7,7 - 8,2	294-9106.00-00080	
Other © - dimension on request!			
Cover for cutout 30x10		292-0401.00-03010	01.106, 07.19
Reinforcement plate for thin-walled sheets and for higher loads:		292-0702.15-01030	01.108
Tool for uninstallation		292-0306.80-02530	01.109