

1-041.01SL SNAP-Joiner 9.7

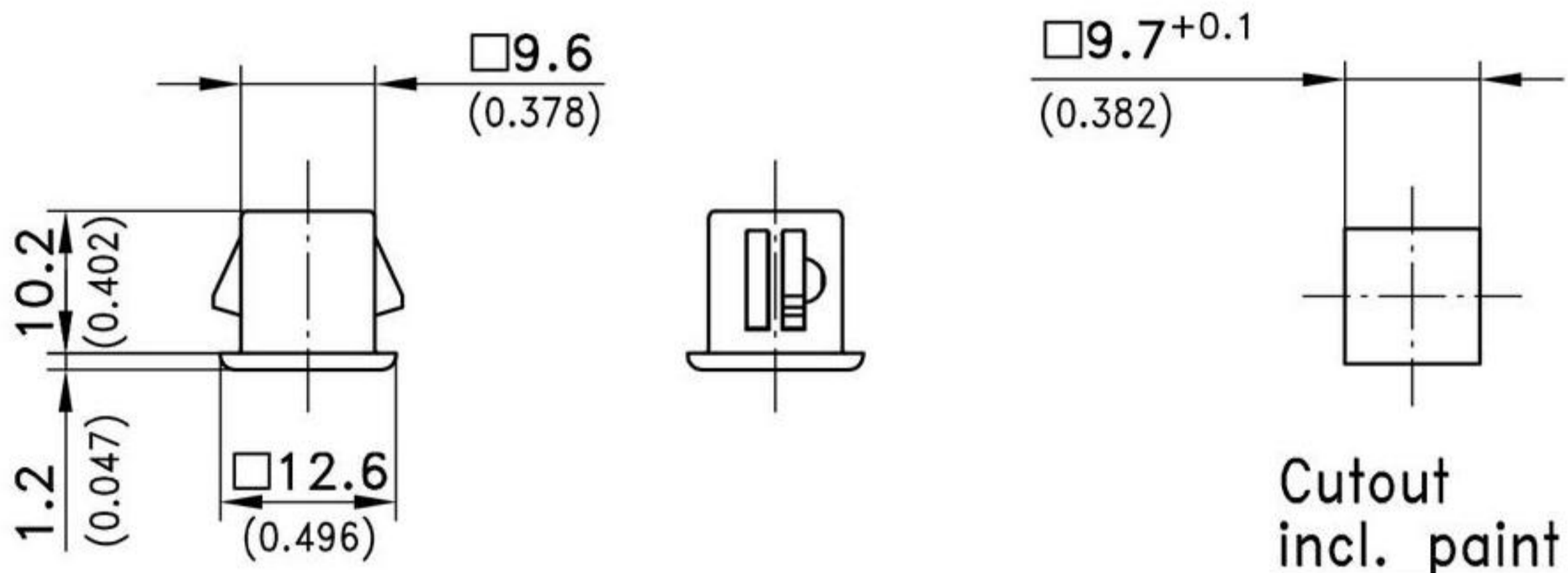


SNAP-Joiner for joining flat metal sheets.

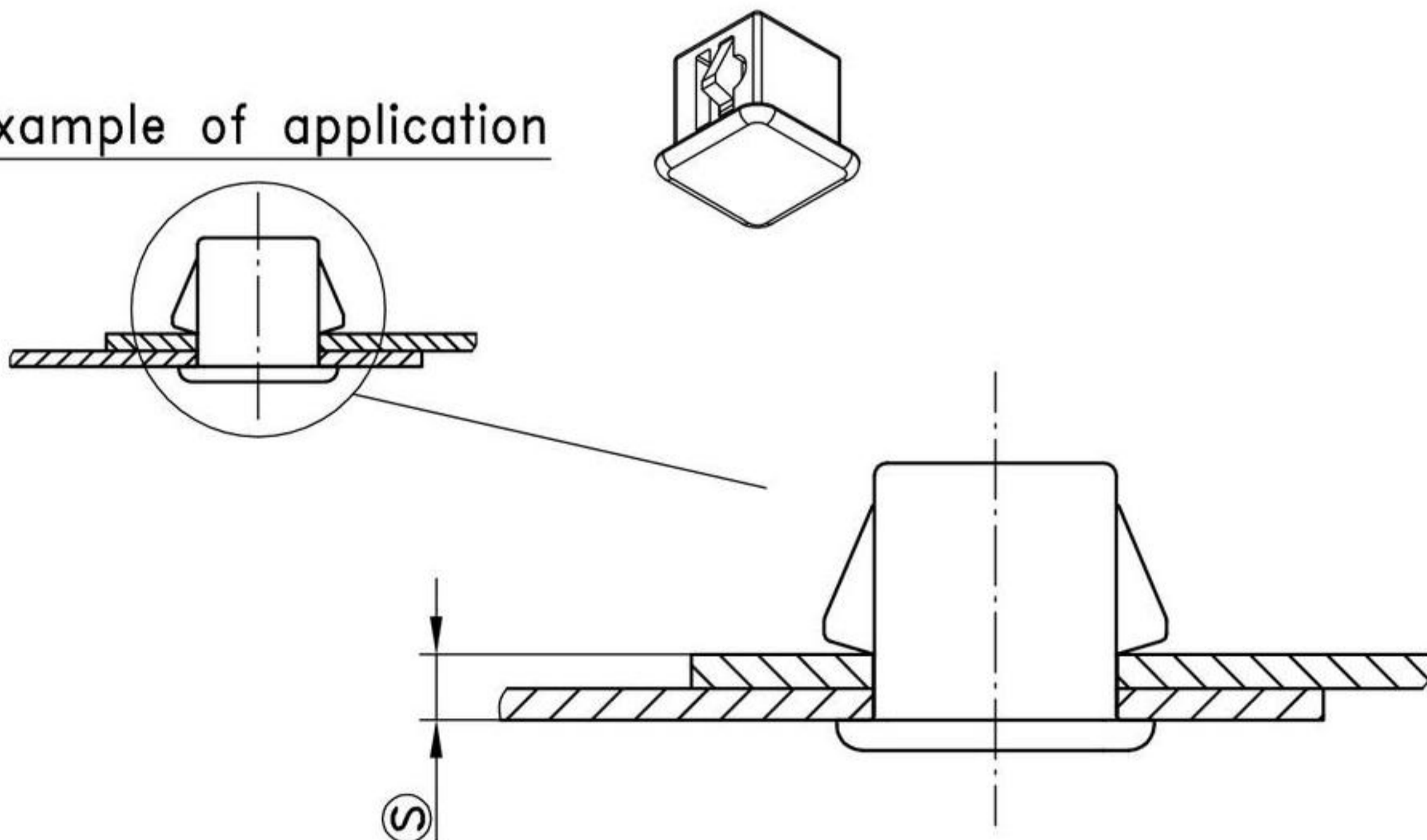
- The joining of metal sheets is achieved by pushing the Snap-Joiner into the cutouts.
- The dimension \textcircled{S} always means the thickness of both sheets together.

Material:

- **Housing:**
zinc die, natural
- **Snap wedges:**
sintered steel, zinc plated



Example of application



	clamping range \textcircled{S}	Part No.
SNAP-Joiner	2,2 - 2,4	294-9104.00-02224
	2,5 - 2,7	294-9104.00-02527
	2,8 - 3,0	294-9104.00-02830
	3,1 - 3,3	294-9104.00-03133

Other \textcircled{S} - dimension on request!