

1-041.02SL SNAP-Joiner 12.7

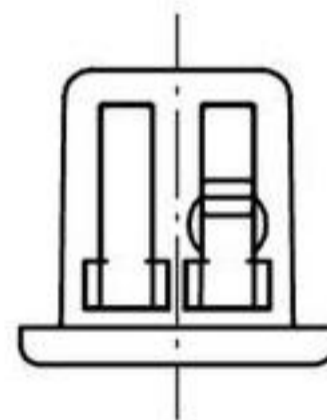
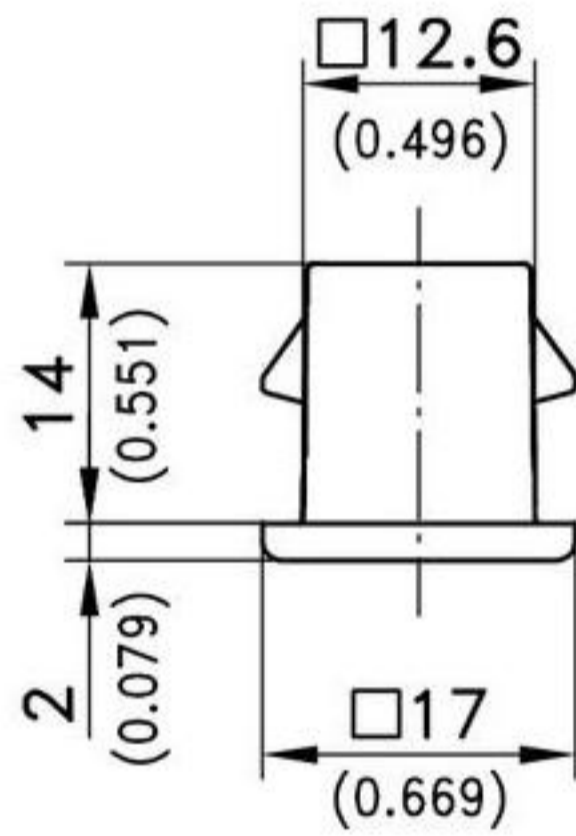


SNAP-Joiner for joining flat metal sheets.

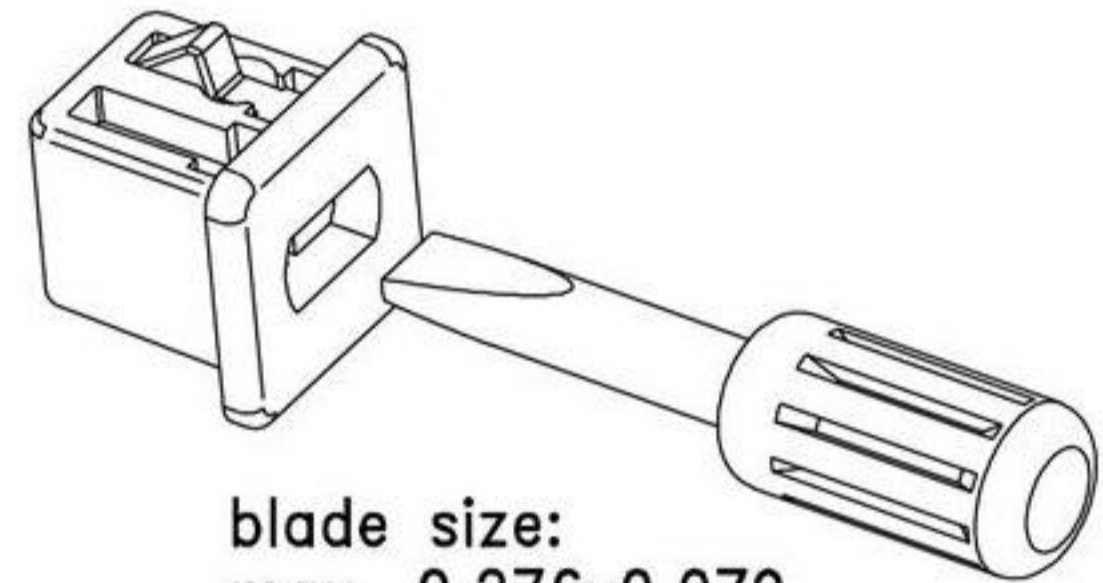
- The joining of metal sheets is achieved by pushing the Snap-Joiner into the cutouts.
- With a screwdriver this Snap-Joiner can be disengaged from outside.
- The dimension \textcircled{S} always means the thickness of both sheets together.

Material:

- **Housing:**
zinc die, natural
- **Snap wedges:**
sintered steel

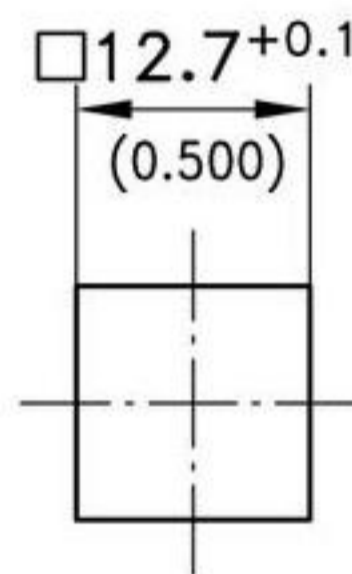
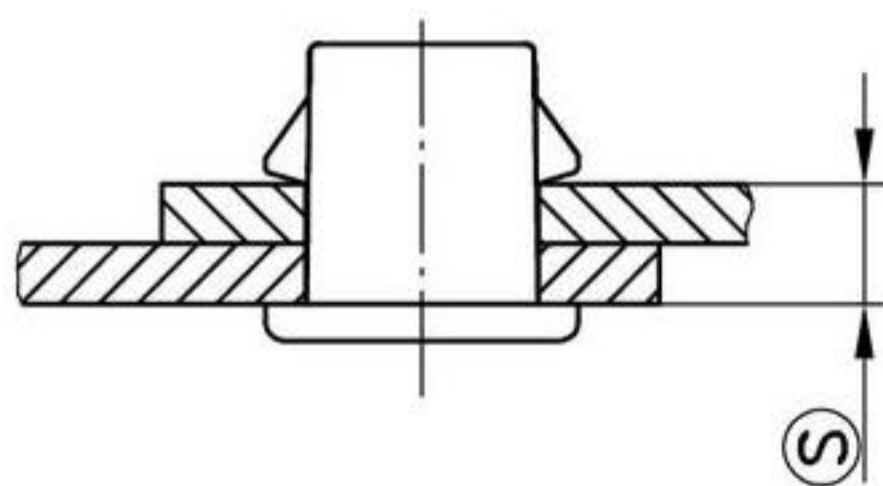


Cutout
incl. paint



blade size:
 max. 0.276x0.079
 min. 0.197x0.039

Example of application



	clamping range \textcircled{S}	Part No.
SNAP-Joiner	1,9 - 2,4	294-9103.00-01924
	2,9 - 3,4	294-9103.00-02934
	3,9 - 4,4	294-9103.00-03944
	5,4 - 5,9	294-9103.00-05459
	6,4 - 6,9	294-9103.00-06469
Other \textcircled{S} - dimension on request!		