

## 1-044SL DUAL SNAP-Joiner 30x10

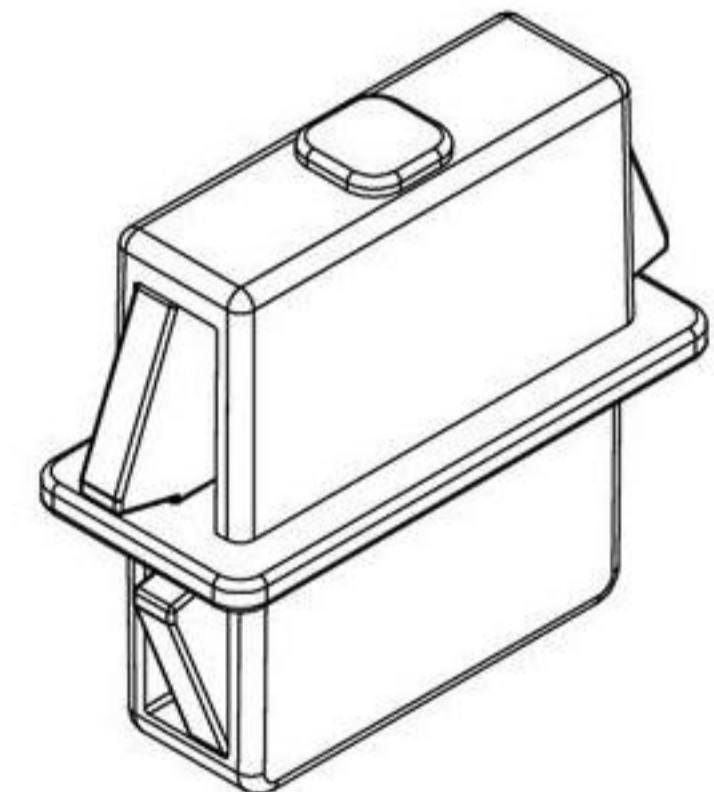
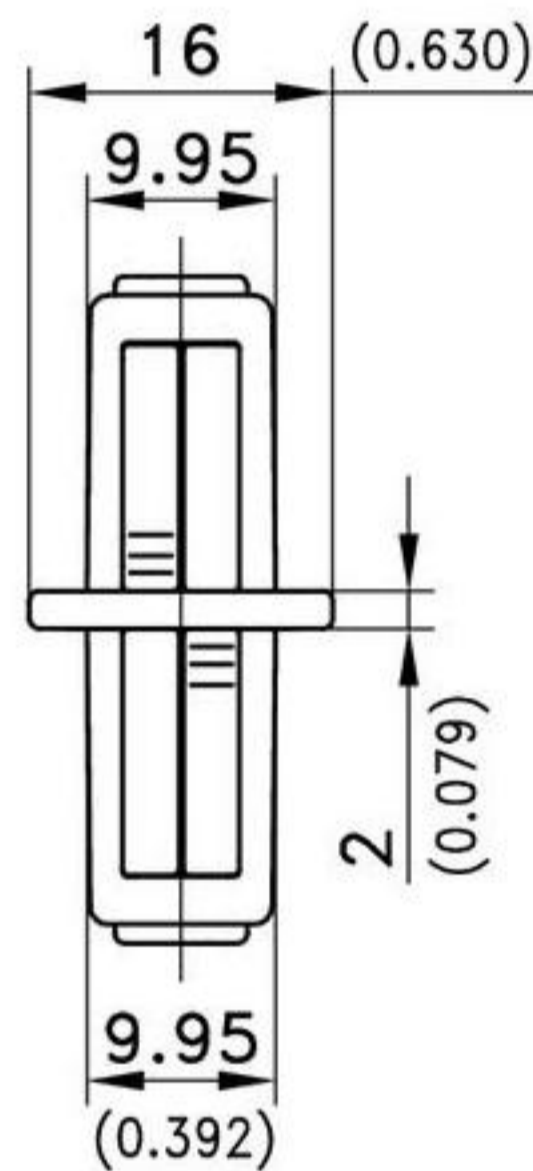
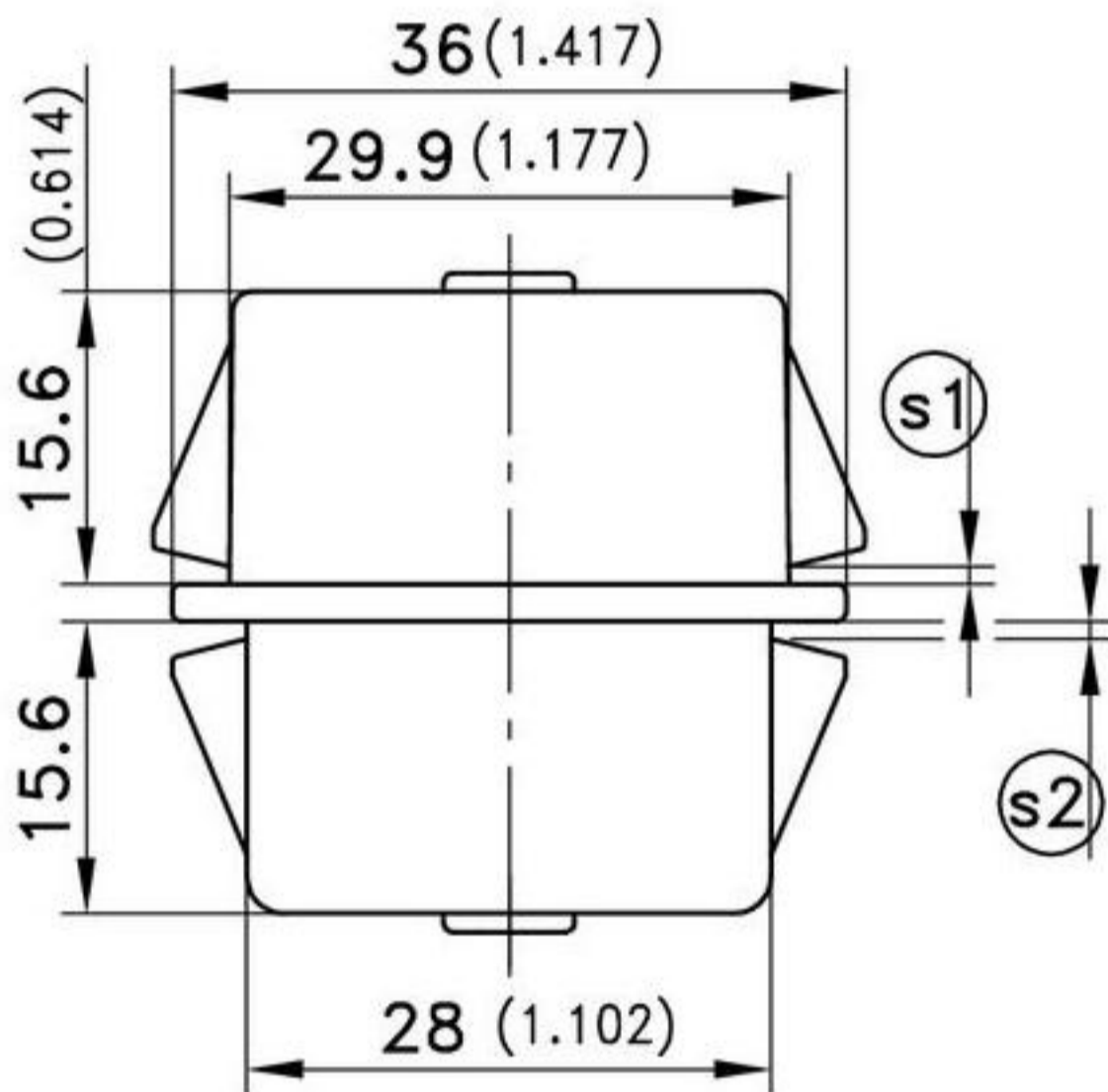


DUAL SNAP-Joiner for joining flat metal sheets.

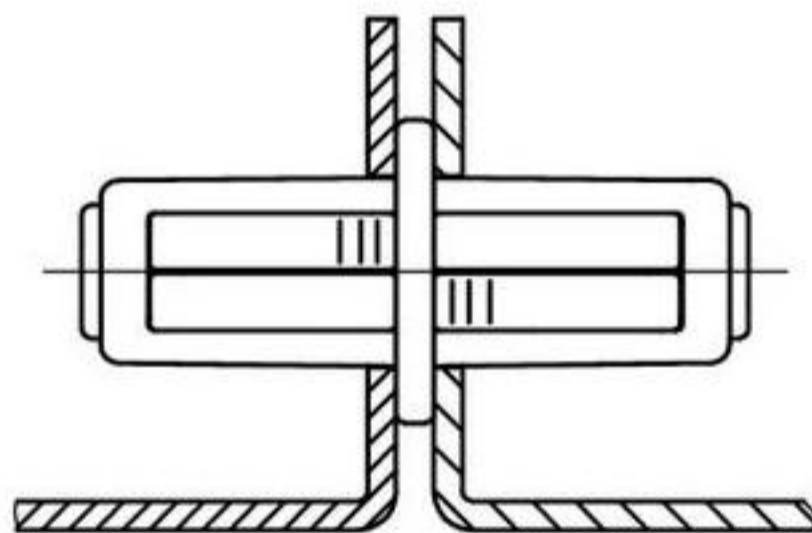
- In order to enable a tolerance compensation, one half of the housing is just 28mm long.

**Material:**

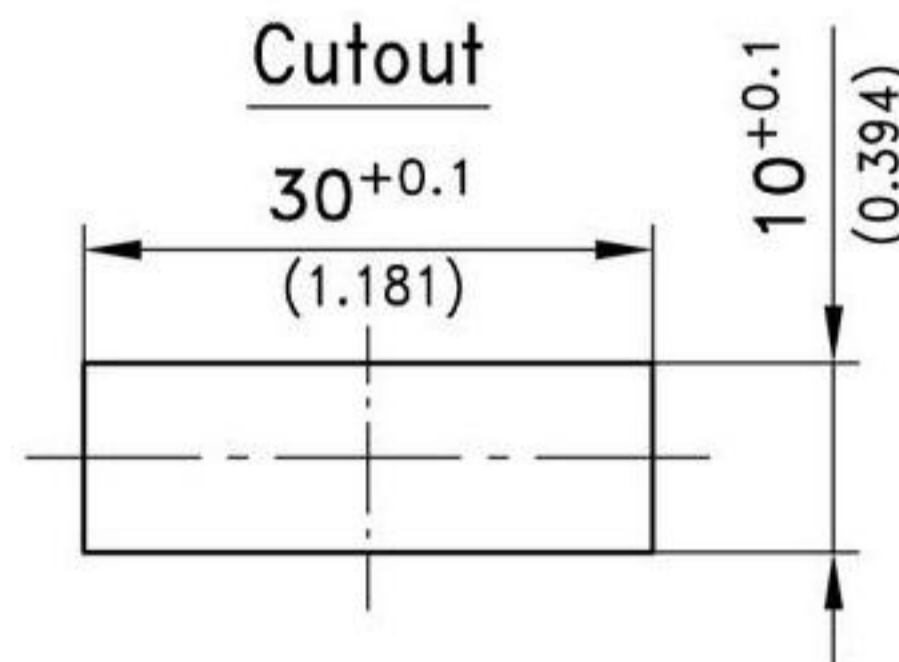
- Housing:** zinc die, black or PA black
- Snap wedges:** sintered steel



### Example of application



### Cutout



clamping range ©1	clamping range ©2	PA, black	zinc die, black	see page
0,7 - 1,2	0,7 - 1,2	294-9102.52-10010	294-9107.33-10010	
1,2 - 1,7	1,2 - 1,7	294-9102.52-15015	294-9107.33-15015	
1,7 - 2,2	1,7 - 2,2	294-9102.52-20020	294-9107.33-20020	
2,2 - 2,7	2,2 - 2,7	294-9102.52-25025	294-9107.33-25025	
2,7 - 3,2	2,7 - 3,2	294-9102.52-30030	294-9107.33-30030	
4,7 - 5,2	4,7 - 5,2	on request	on request	

Other combinations of different clampings (©1 + ©2 dimensions) on request!

Cover for cutout 30x10	292-0401.00-03010	292-0401.00-03010	01.106, 01.107
Reinforcement plate for thin-walled sheets and for higher loads:	292-0702.15-01030	292-0702.15-01030	01.108
Tool for uninstallation	292-0306.80-02530	292-0306.80-02530	01.109