

1-040SL SNAP-Joiner 8x15



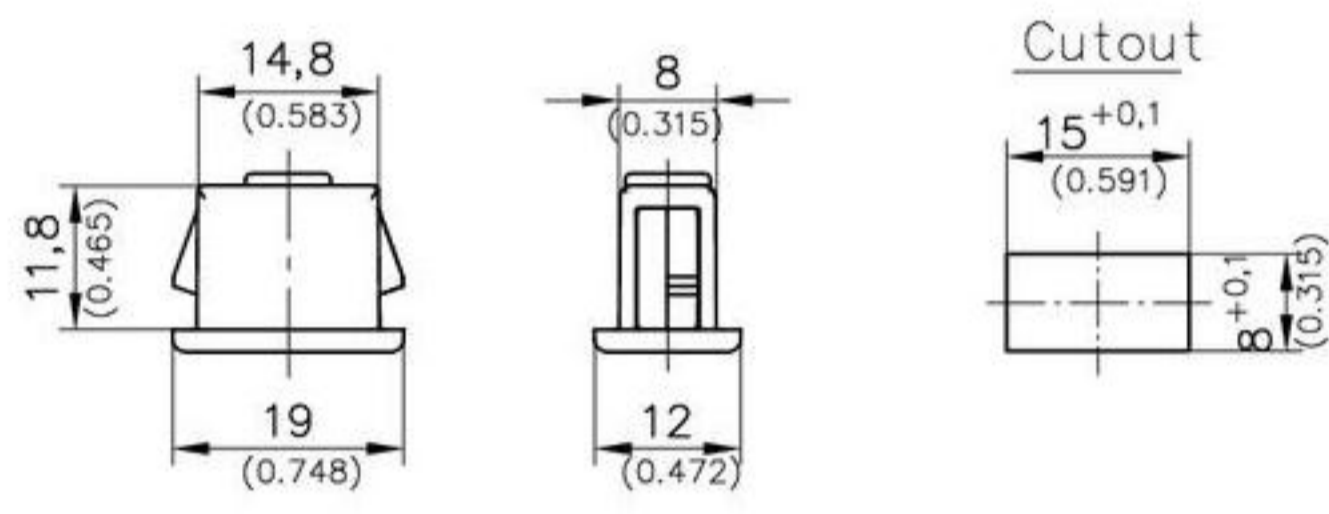
SNAP-Joiner for joining flat metal sheets.

- With tool/key Part-No.: 292-0302.70 page 01.109 (product system 6-080SL) this Snap-Joiner can be disengaged both from inside and outside.
- The tool is captive in the open position.
- The joining of two metal sheets is achieved by pushing the snap-joiner into the cutouts.
- The dimension \textcircled{S} always means the thickness of both sheets,

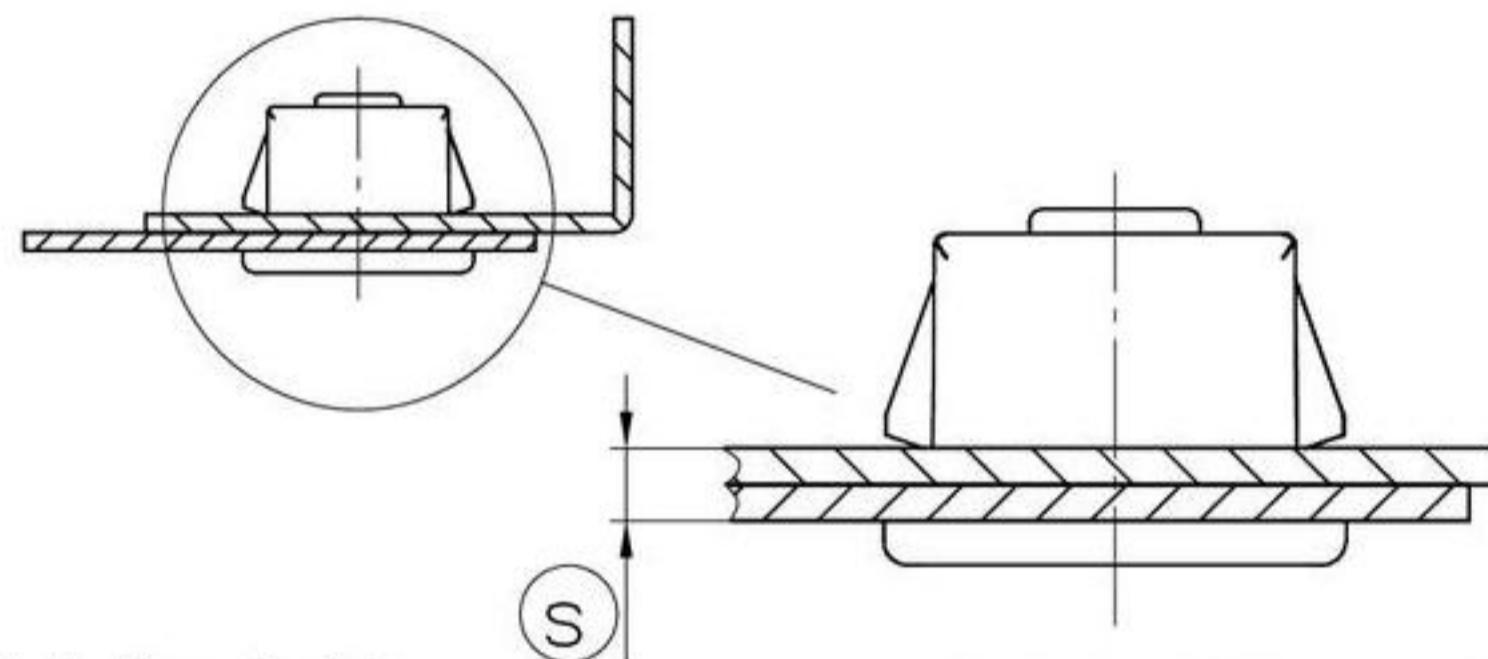
- e.g.
1,5+1,5=3
2,0+1,0=3
2,0+2,0=4

Material:

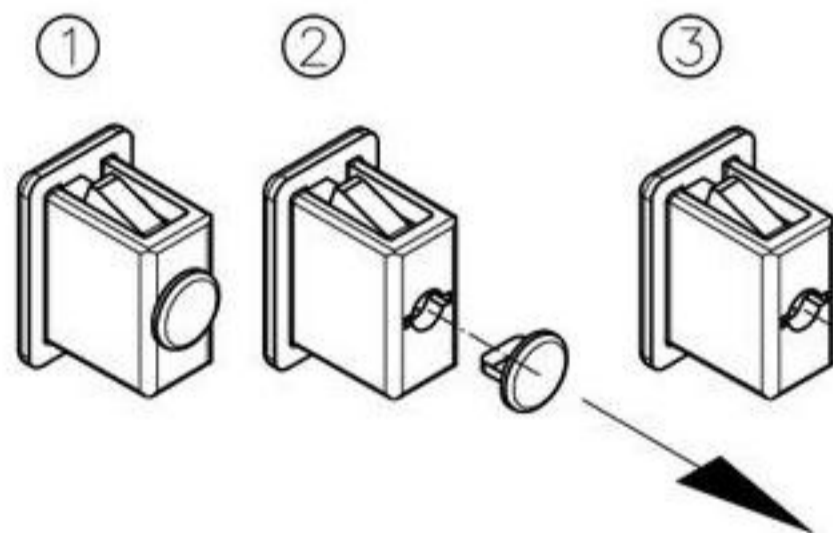
- **Housing:**
PA, black or light grey RAL 7035
- **Snap wedges:**
Grivory, black



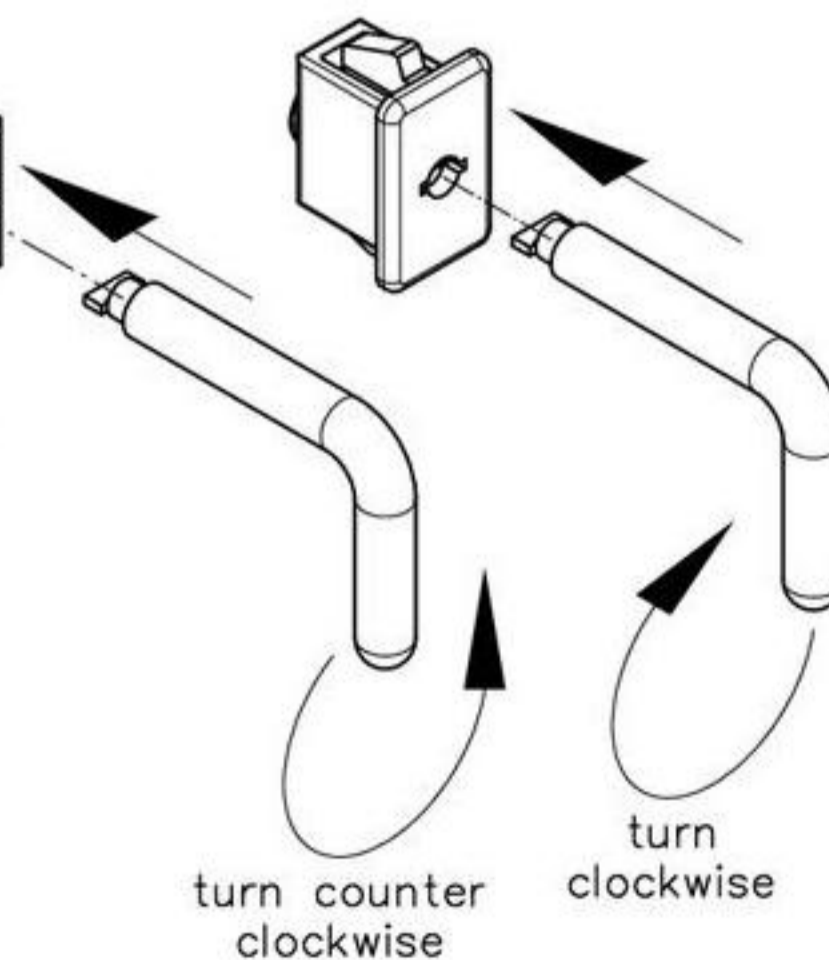
Example of application



Uninstallation inside:



Uninstallation outside:



SNAP-Joiner	clamping range \textcircled{S}	PA black	PA, RAL 7035 (grey)	see page
	1,5 - 1,8	294-9001.00-00015	294-9002.00-00015	
	2,0 - 2,3	294-9001.00-00020	294-9002.00-00020	
	3,0 - 3,3	294-9001.00-00030	294-9002.00-00030	
	4,0 - 4,3	294-9001.00-00040	294-9002.00-00040	
	Other \textcircled{S} - dimension on request!			
Tool for uninstallation		292-0302.70-00000	292-0302.70-00000	01.109