

6-079SL Reinforcement Plate for SNAP-LINE



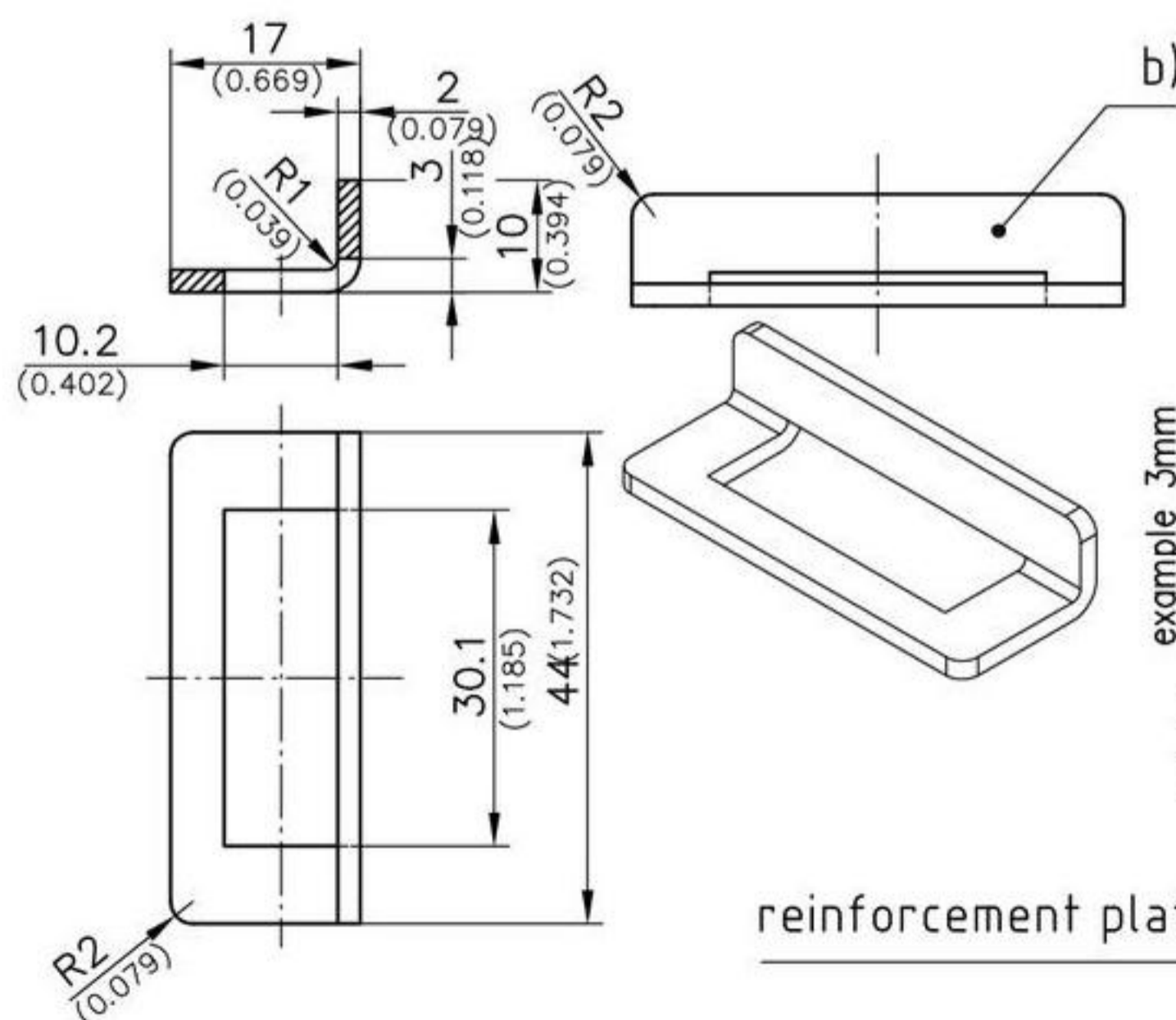
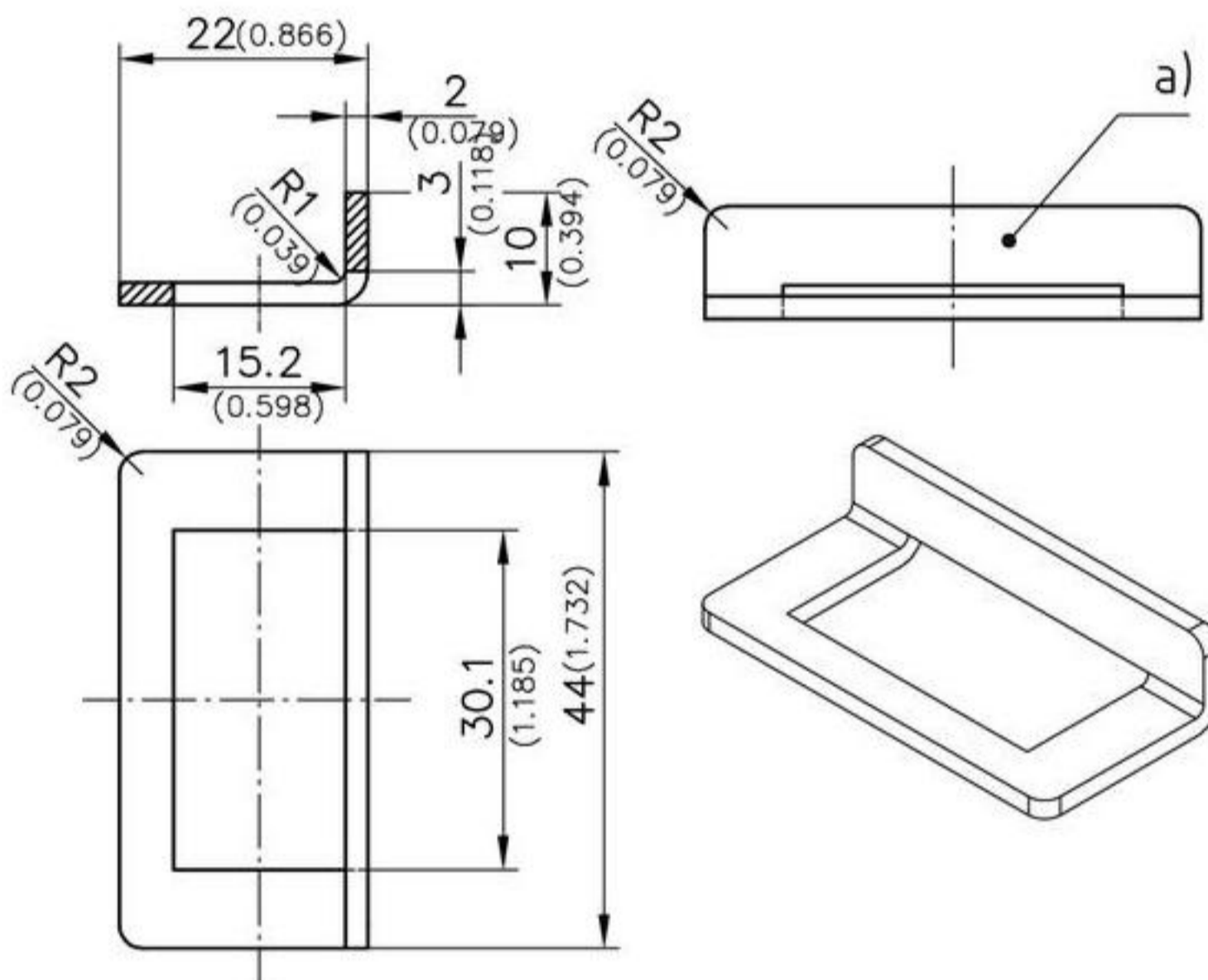
Reinforcement Plate for D-SNAP. For using the D-SNAP technology in thin-walled sheets and for higher loads. The Reinforcement Plate is placed behind the cutout.

- For cutouts 30x8, 30x10, 30x14 and 30x15.
- Installation of the Reinforcement Plate without tools together with the D-SNAP product by a simple push into the appropriate cutout.
- At the same time or later

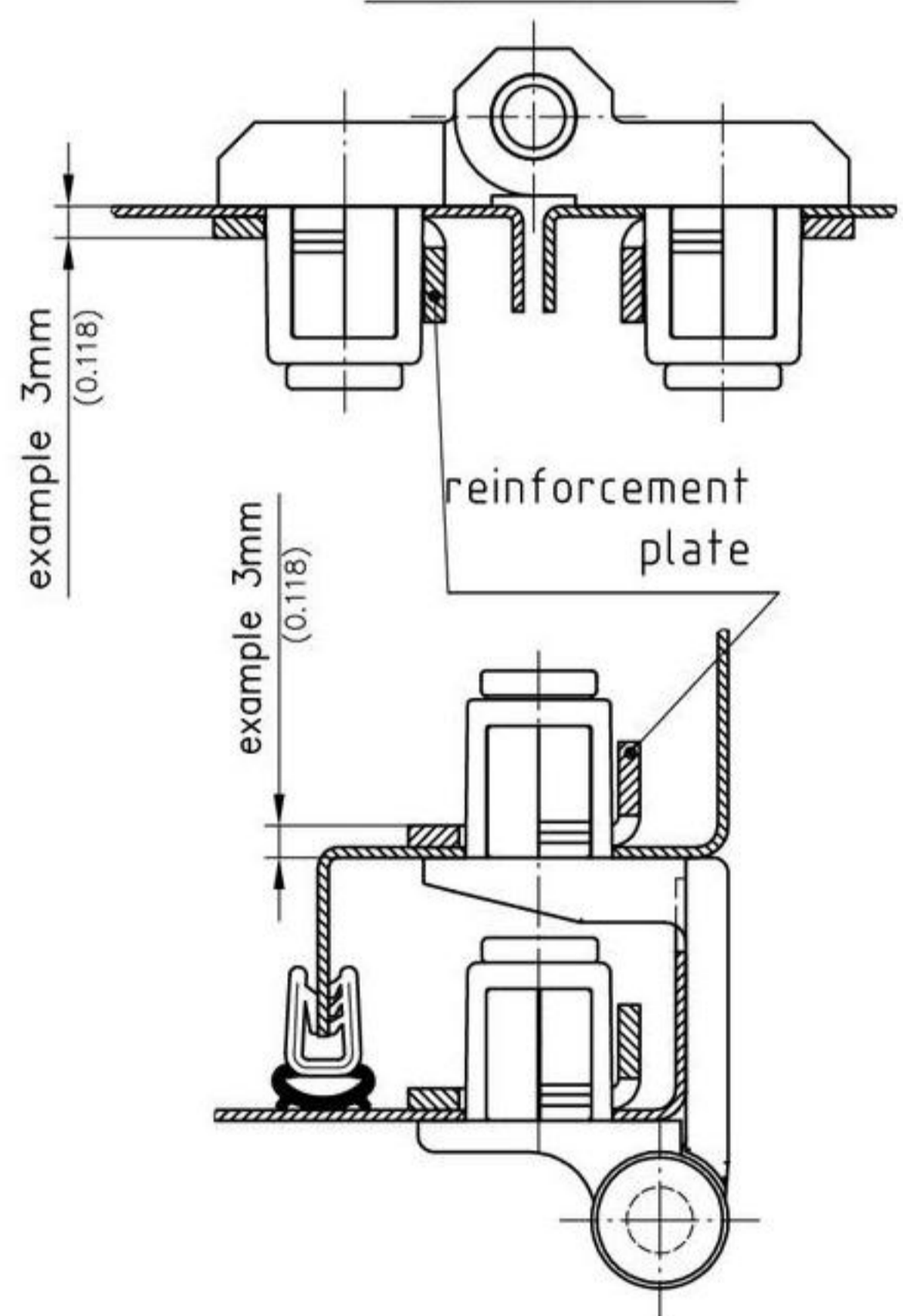
- This provides a vibration-proof connection of the Reinforcement Plate with the D-SNAP product.
- One side angled to be used at bendings.
- The clamping range \textcircled{S} results in sheet thickness and Reinforcement Plate. Example: Sheet thickness 1mm + Reinforcement Plate 2mm = 3mm clamping range \textcircled{S} .
- Can also be used for the uninstallation of D-SNAP products with the a.m. cutouts.

Material:

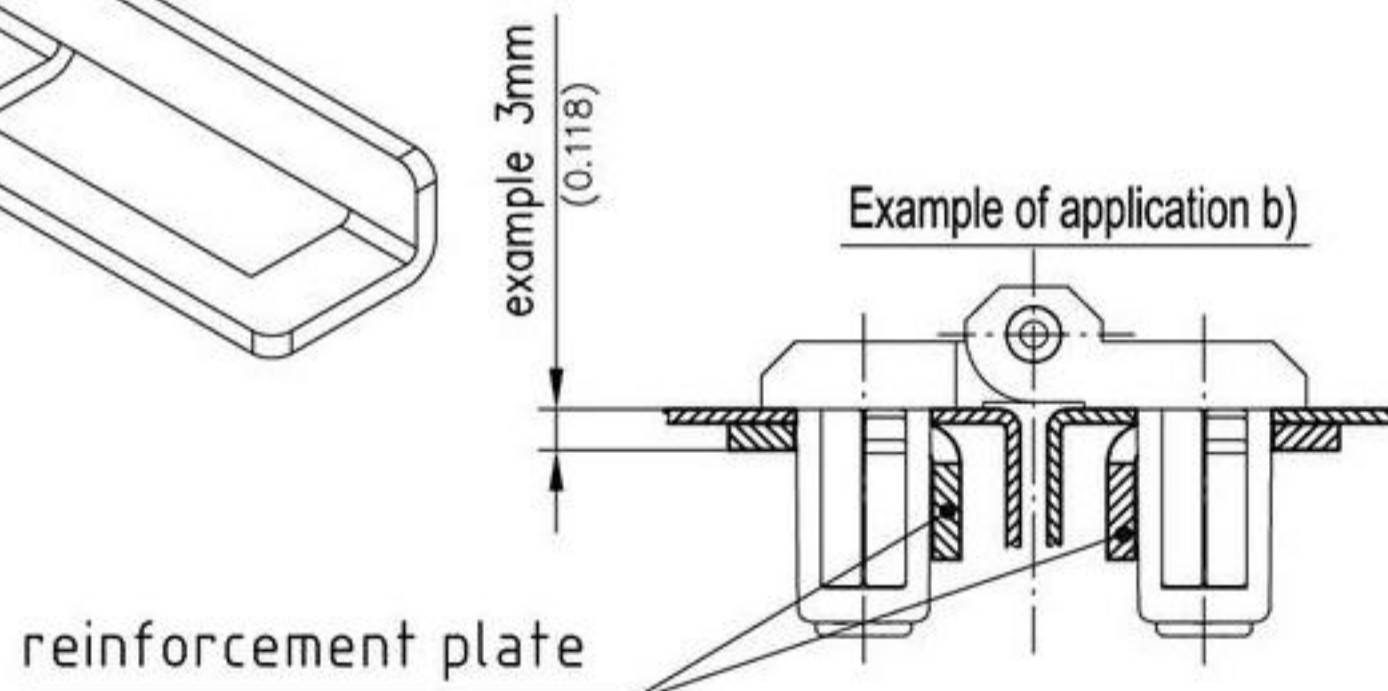
- **Reinforcement Plate:** steel, zinc plated



Examples of application a)



Example of application b)



a) Reinforcement plate for Cutouts 30x14 and 30x15
b) Reinforcement plate for Cutouts 30x8 and 30x10

Part No.
292-0701.15-01530
292-0702.15-01030