

6-127 Slam-Latch

flush



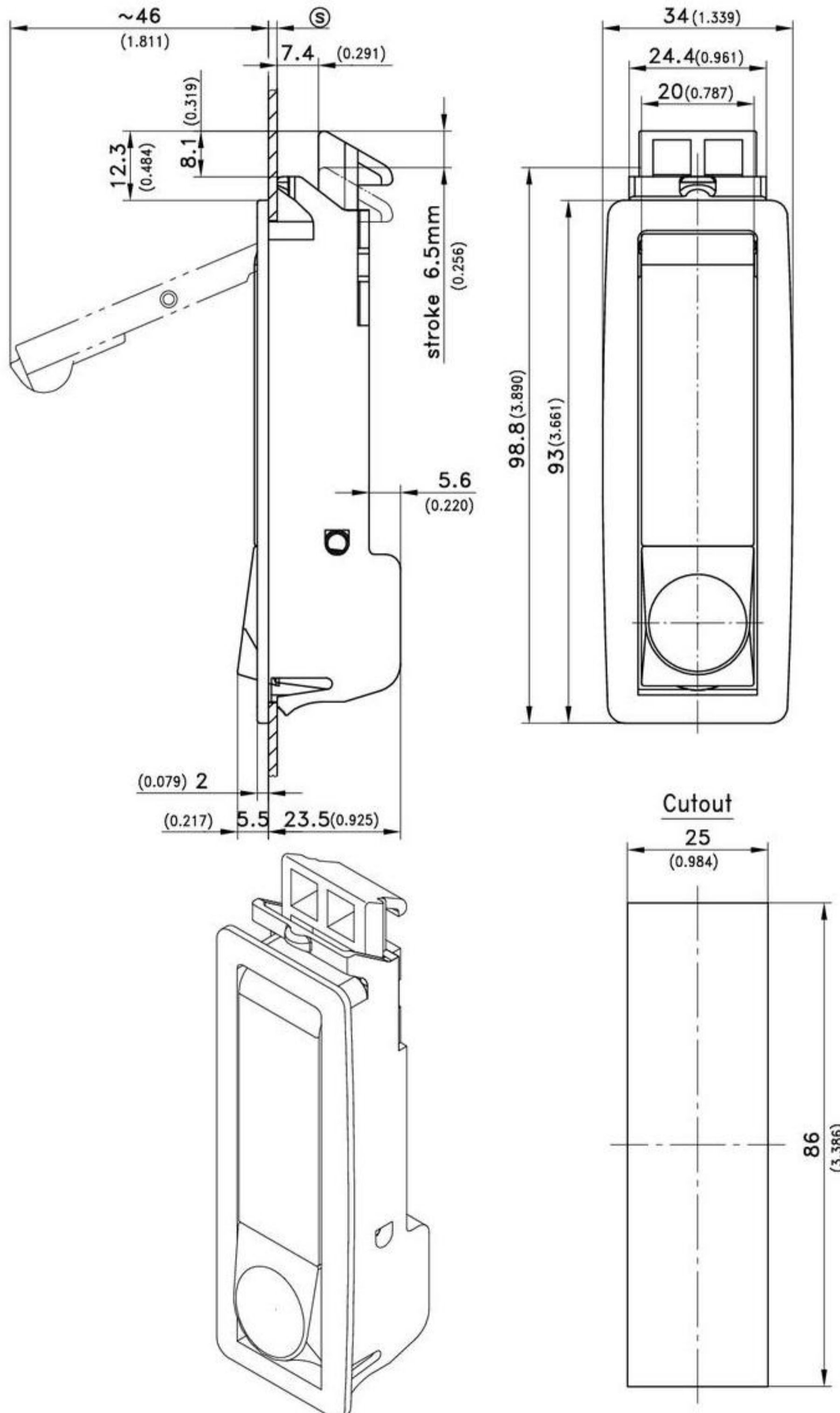
Clip-in low profile Slam-Latch for doors and panels with a sheet metal thickness of 1.5 to 2 mm.

- This Slam-Latch is mainly designed for light duty, applications: e.g. panels for electrical enclosures, A/C and air treatment enclosures.
- The completely pre-assembled latch is slid into the cutout and pushed down by hand into its final position.

- **Weight:**
 without cylinder: 33 gram
 with cylinder: 46 gram

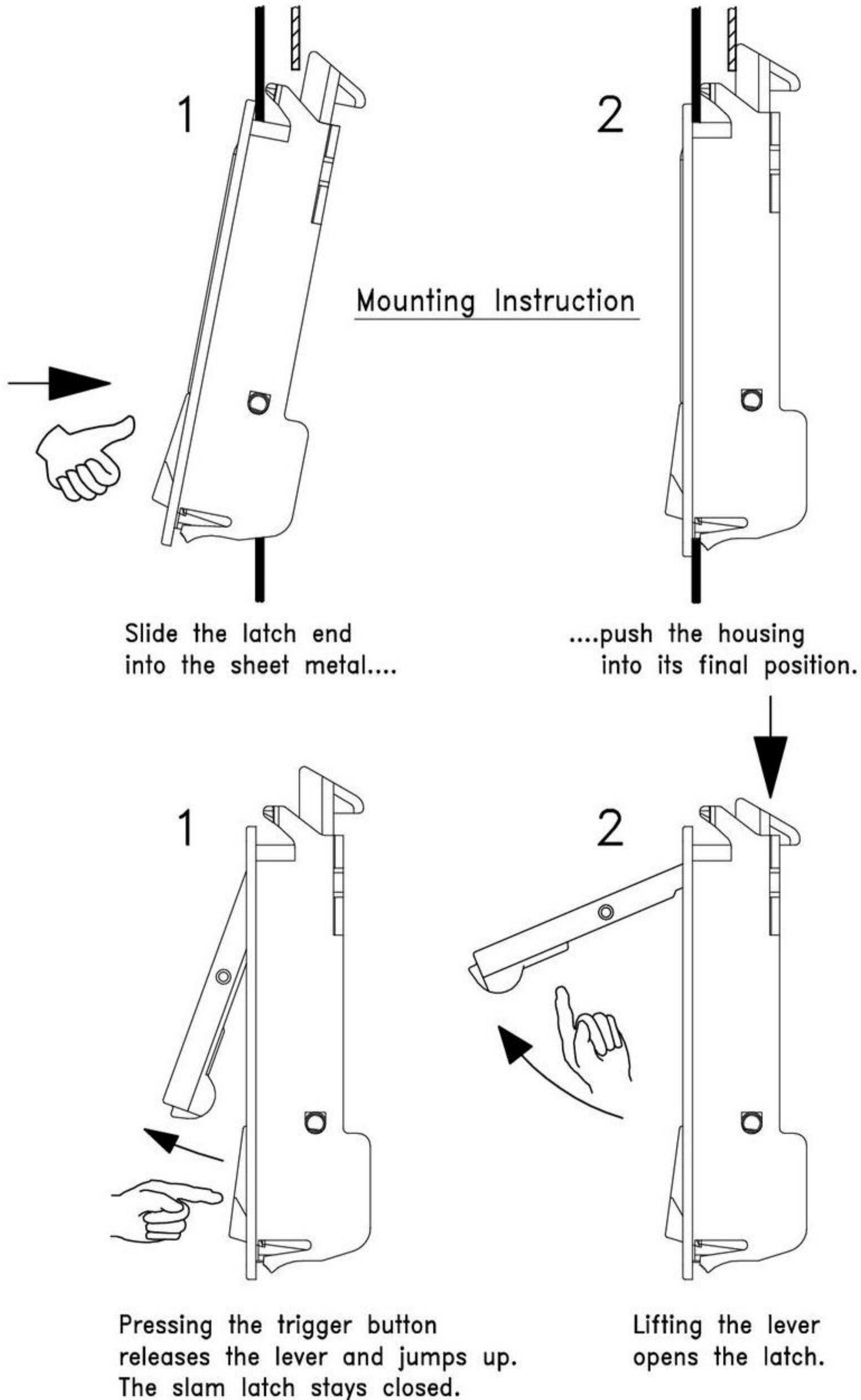
Material:

- **Slam-Latch, cpl.:**
 PA, black
- **Leg spring:**
 stainless steel
- **Spring for slam:**
 spring steel



6-127 Slam-Latch

flush



Slam-Latch	clamping range (s) from 1.5 (0.059) to 2mm (0.079)
non locking	282-9501
keyed alike DIRAK 1333*	282-9502
keyed different/mixed*	282-9503
* with stainless dust-shutter	