



## 6-162 Compression Latch

Z-Line Lever Actuated, Flush

Clip-in, low profile Compression Latch for doors and panels with a sheet metal thickness of 1.4 to 3mm or, with a different housing, 3 to 3.4mm thickness.

- This latch is mainly designed for light duty applications: e.g. panels and hatches for vehicles as well as for electrical enclosures, A/C and air treatment enclosures (glove compartments, maintenance panels etc.).
- The completely pre-assembled latch is slided into the cutout in the open position and pushed-down into its final position.

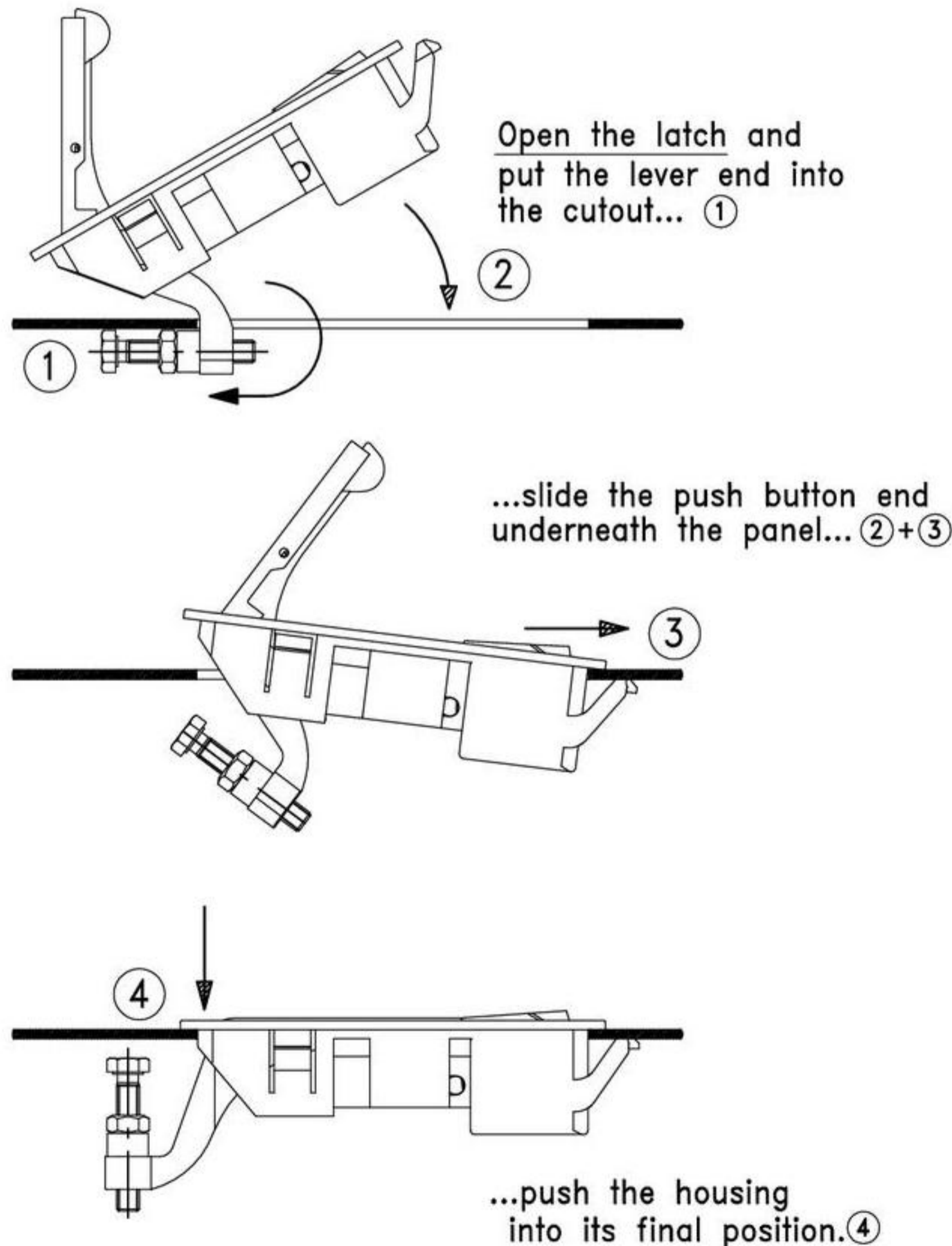
- The design of the wide hook and the two clips guarantee a strong and solid fixation in the panel.
- The adjusting screw guarantees a consistent pressure to the seal and can be adjusted upon need.
- Weight: without lock 40g/1.43 oz with lock 55g/2 oz

### Material:

- **Compression Latch:** PA, black
- **Screw and nut:** steel, zinc plated
- **Spring:** stainless steel



### Mounting instruction



| Compression Latch             | door thickness from 1.4 to 3 mm<br>0.055 to 0.118 | door thickness from 3 to 3.4 mm<br>0.118 to 0.134 |
|-------------------------------|---|---|
| non locking                   | 282-9408  | 282-9410  |
| keyed alike DIRAK 1333*       | 282-9407  | 282-9411  |
| keyed different/mixed*        | 282-9409  | 282-9412  |
| * with stainless dust-shutter |   |   |

## 6-162 Compression Latch

Z-Line Lever Actuated, Flush

