

6-160 Compression Latch

Lever Actuated, Flush



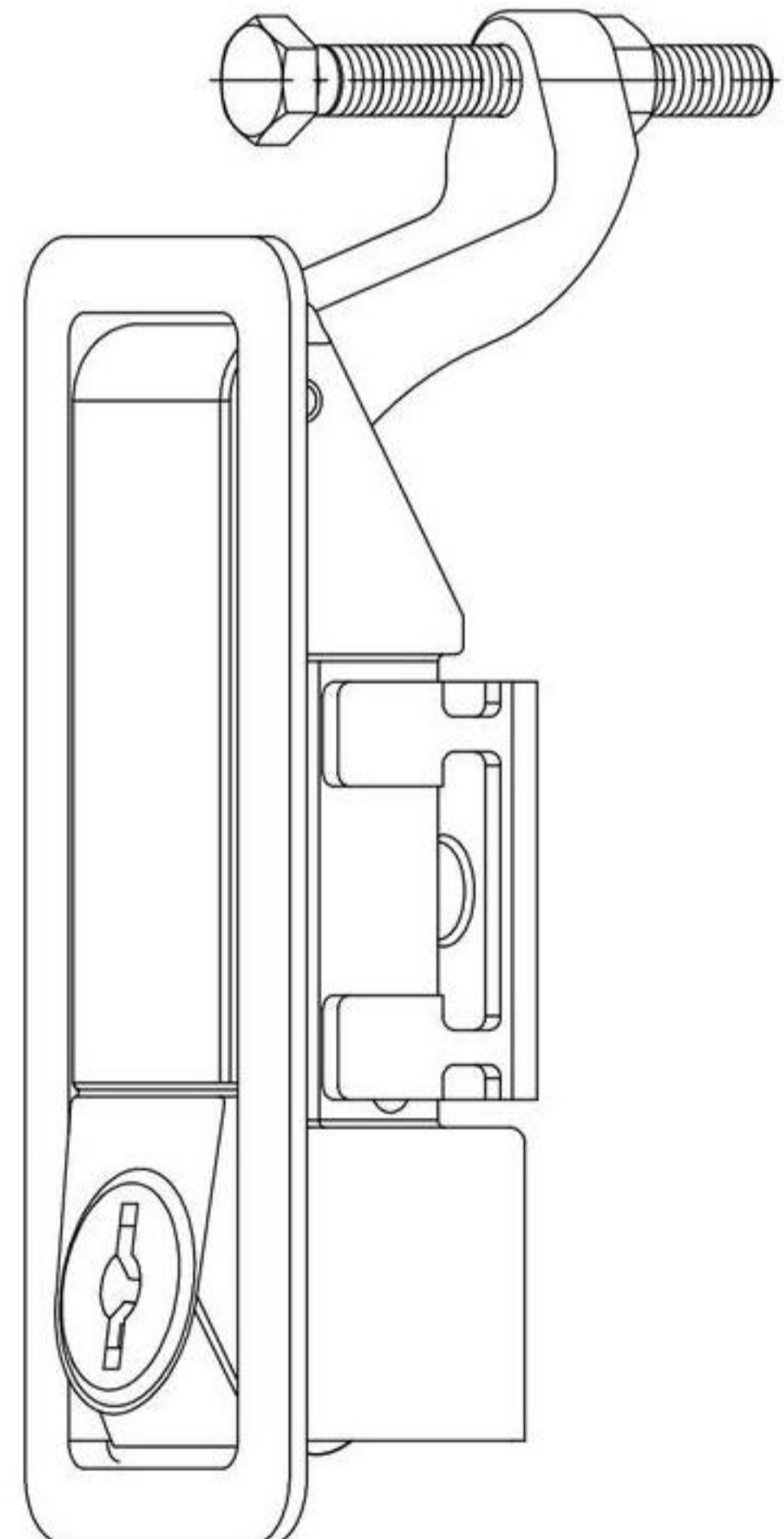
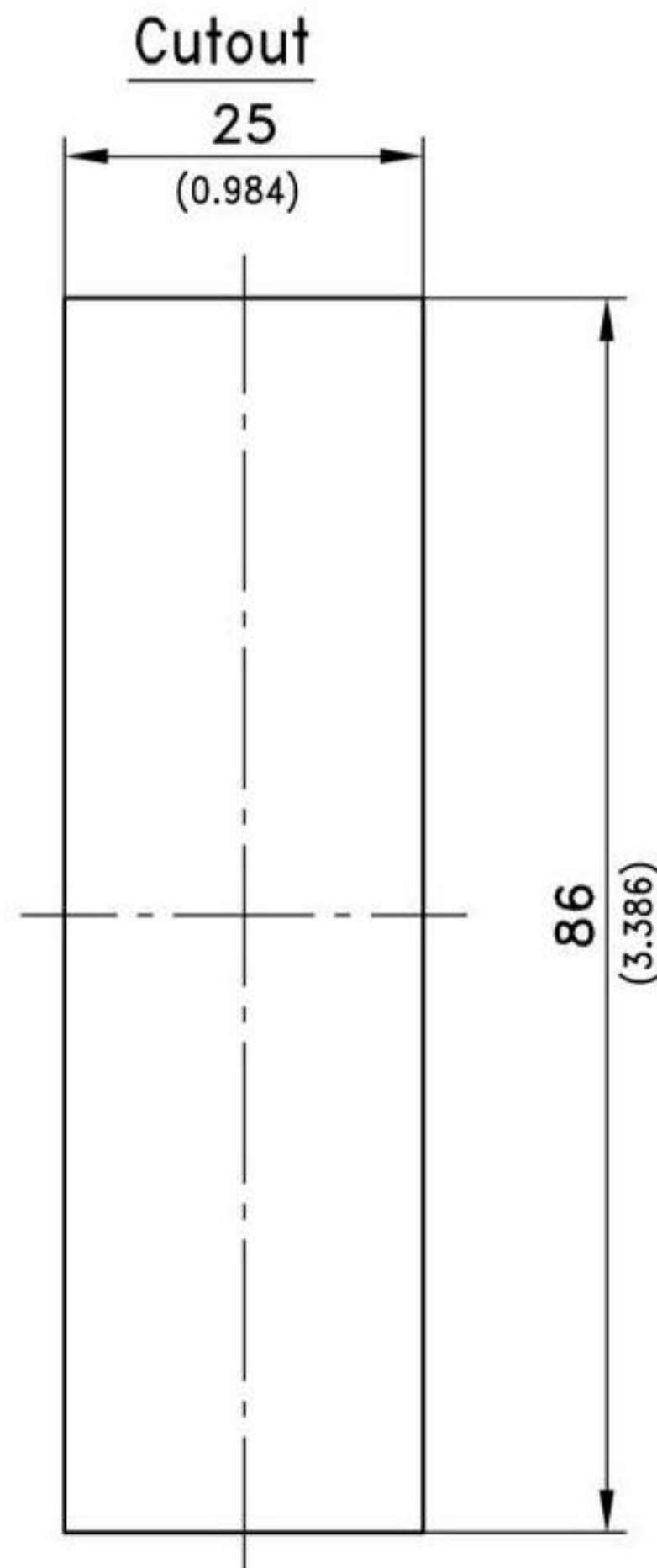
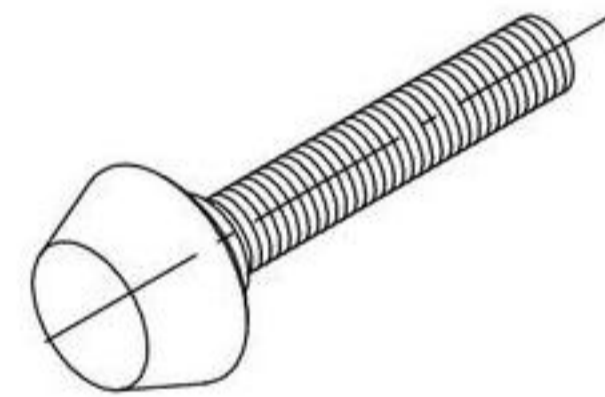
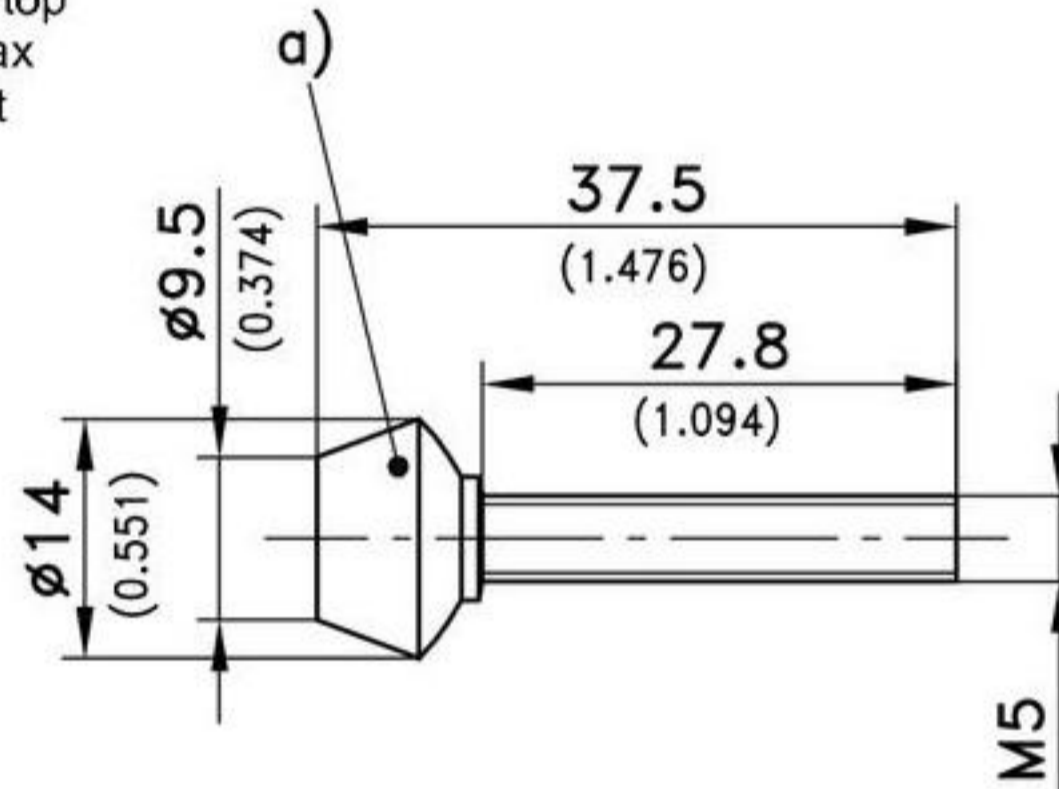
For the installation, the complete latch, including the pre-assembled U-shaped fastening bracket, is installed in the cutout from outside.

- By rotating the fastening screw from outside, the U-bracket automatically fastens the complete latch.
- In the "closed" position the screw can not be removed.
- The adjusting screw can also be used for retro-adjusting to increase or decrease the sealing pressure.
- **Attention:** Counternut for the adjusting screw: The standard position of the counternut is underneath the lever. Refer to A). On Request the counternut can be positioned on top of the lever. Refer B). If B) the max H-dimension decreases by about 4mm.

• PA version see page 05.29.

Material:

- **Compression Latch:**
 zinc die, black
 Other colors on request!



6-1600.01 Handle



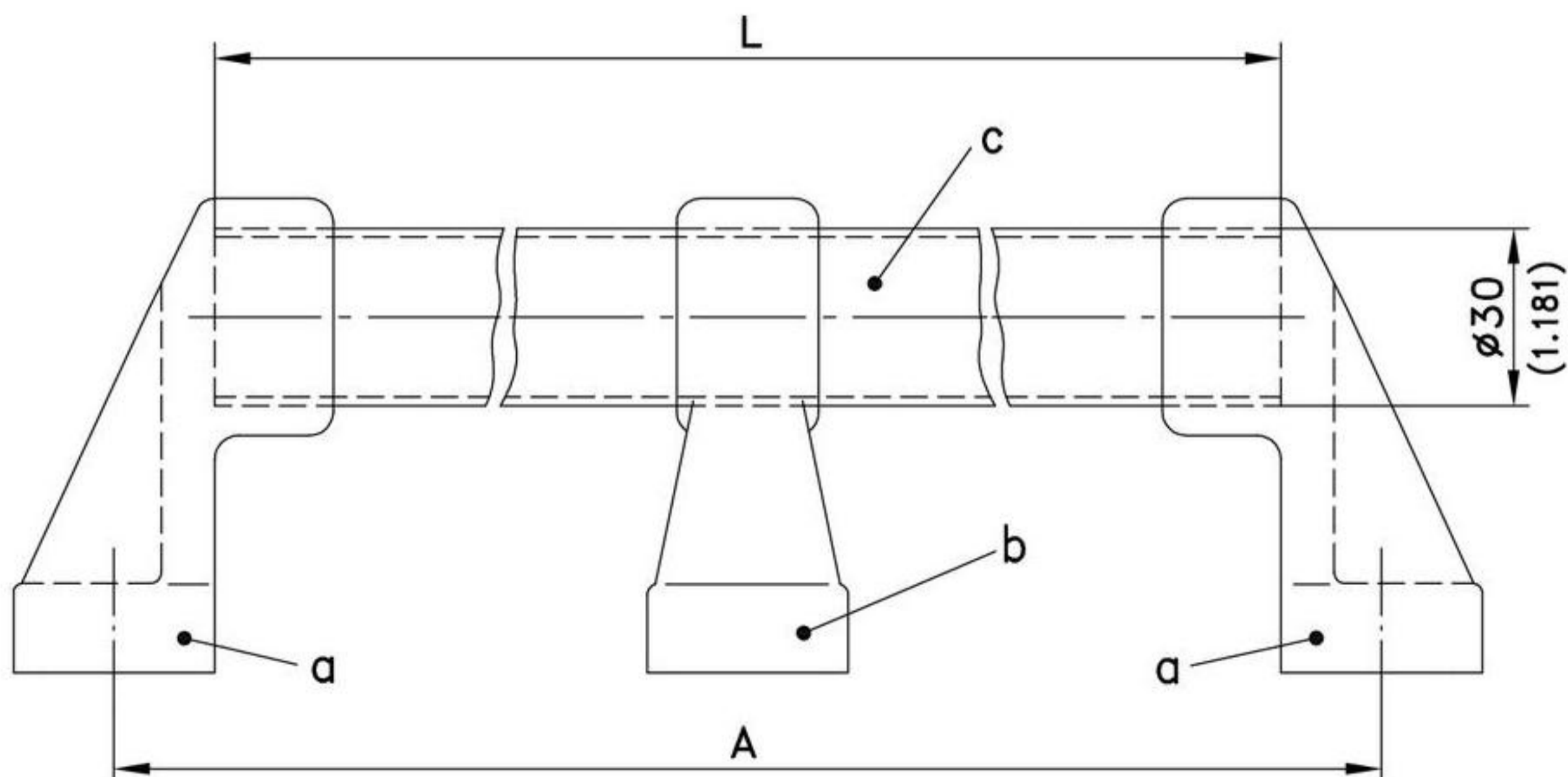
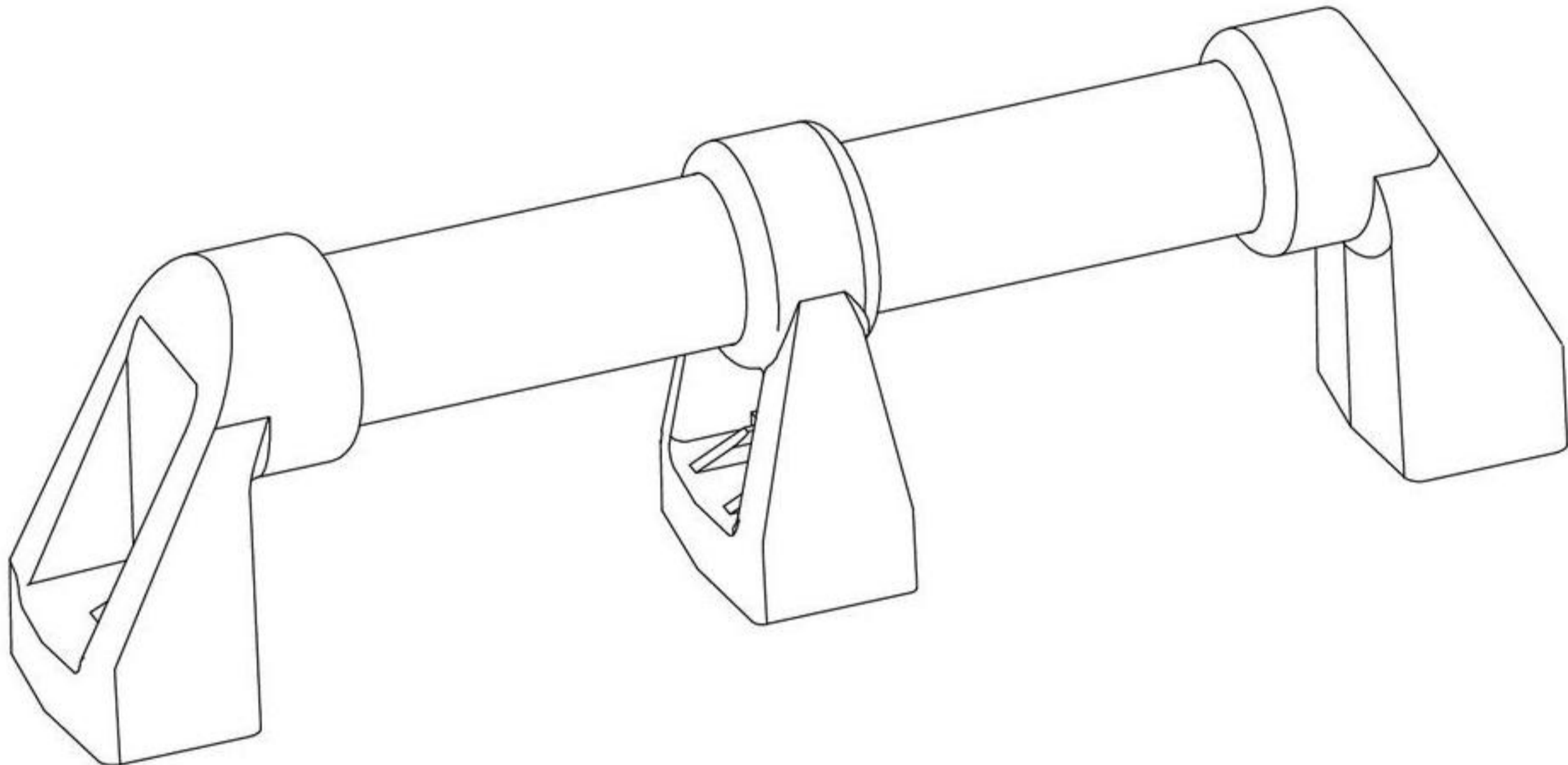
Handle with Ø30mm in various lengths.

- Designed for vertical or horizontal uses.
- The great diameter of the tube guarantees a sure and firm grab.
- Well-fitting and firm seat of the tube in the center support and the end pieces.
- For the total size, please add 68mm to the tube length.
- The optional usable center supports make this handle suitable especially for large and heavy doors and controlling enclosures.
- The center support is optional, but should be applied for tube length over 466mm length.
- For wall fastening please take the end piece a2).

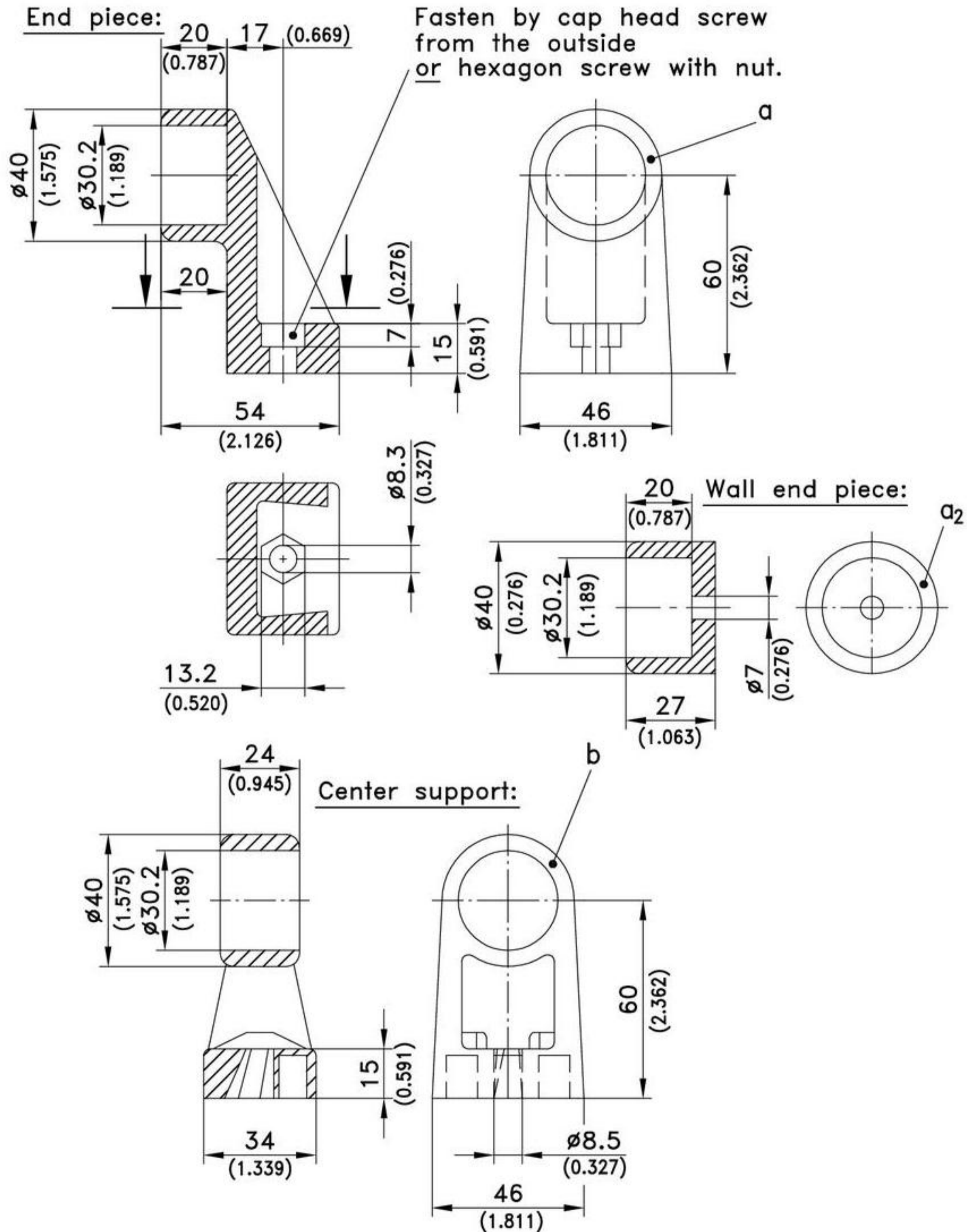
- Fastening from inside by hexagon head screw and nut, or from outside by cylinder head screw and nut.

Material:

- a) and a2)
- **End piece:**
PA, black
- b)
- **Center support:**
PA, black
- c), c1) and c2)
- **Tube:**
steel, PVC coated, black
stainless steel on request.



6-1600.01 Handle



Version			Part No.
a) End piece			213-0101.03-00000
a2) Wall End piece			213-0107.03-00000
b) Center support			213-0102.03-00000
c) Steel tube Ø30 x 1.5	L in mm/inch	A in mm/inch	
	266 / 10.472	300 / 11.811	213-0401
	366 / 14.409	400 / 15.748	213-0402
	466 / 18.346	500 / 19.685	213-0403
	566 / 22.283	600 / 23.622	213-0404
	666 / 26.220	700 / 27.559	213-0405
	766 / 30.157	800 / 31.496	213-0406
c1) Steel tube, Ø30x1,5 ; length 2500mm / 98.425			213-0407
c2) Steel tube, Ø30x1,5 ; in special lengths			213-0408.00-L in mm



6-1600.02 Handle

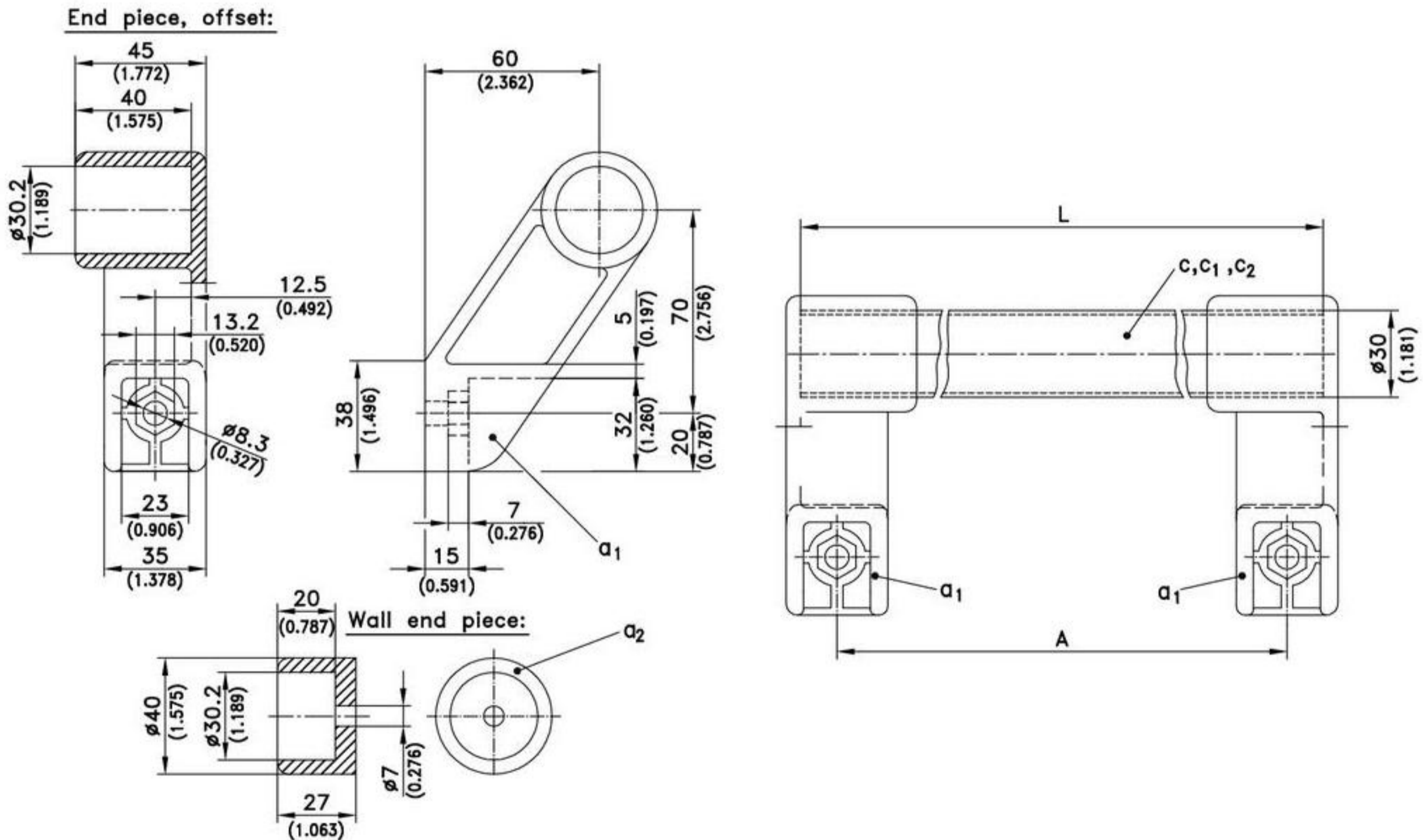
Handle, bent with Ø30mm in various length.

- Designed for vertical or horizontal uses.
- The great diameter of the tube guarantees a sure and firm grab.
- Well-fitting and firm seat of the tube in the center support and the end pieces.
- For the total size, please add 10mm to the tube length.
- Fastening from inside by hexagon head screw and nut, or from outside by cylinder head screw and nut.
- This handle is suitable especially for large and heavy doors and controlling enclosures.

- For wall fastening please take the end piece a2).
- Fastening from inside by hexagon head screw and nut, or from outside by cylinder head screw and nut.

Material:

- a1) and a2)
- **End piece:**
PA, black
b)
- **Center support:**
PA, black
c), c1) and c2)
- **Tube:**
steel, PVC coated, black
stainless steel on request.



Version	Part No.
a1) End piece, offset, RH (as drawn)	213-0103.03-00000
LH	213-0104.03-00000
a2) Wall End piece	213-0107.03-00000
b) Center support from Product System 6-1600.01 (page 08.19) usable.	213-0102.03-00000
c) Steel tube Ø30 x 1.5	
	L in mm/inch A in mm/inch Part No.
	266 / 10.472 241 / 9.488 213-0401
	366 / 14.409 341 / 13.425 213-0402
	466 / 18.346 441 / 17.362 213-0403
	566 / 22.283 541 / 21.299 213-0404
	666 / 26.220 641 / 25.236 213-0405
	766 / 30.157 741 / 29.173 213-0406
c2) Steel tube, Ø30x1,5 ; length 2500mm / 98.425	213-0407
c1) Steel tube, Ø30x1,5 ; in special lengths	213-0408.00-L in mm

6-1600SL Handle SNAP-LINE

variable length



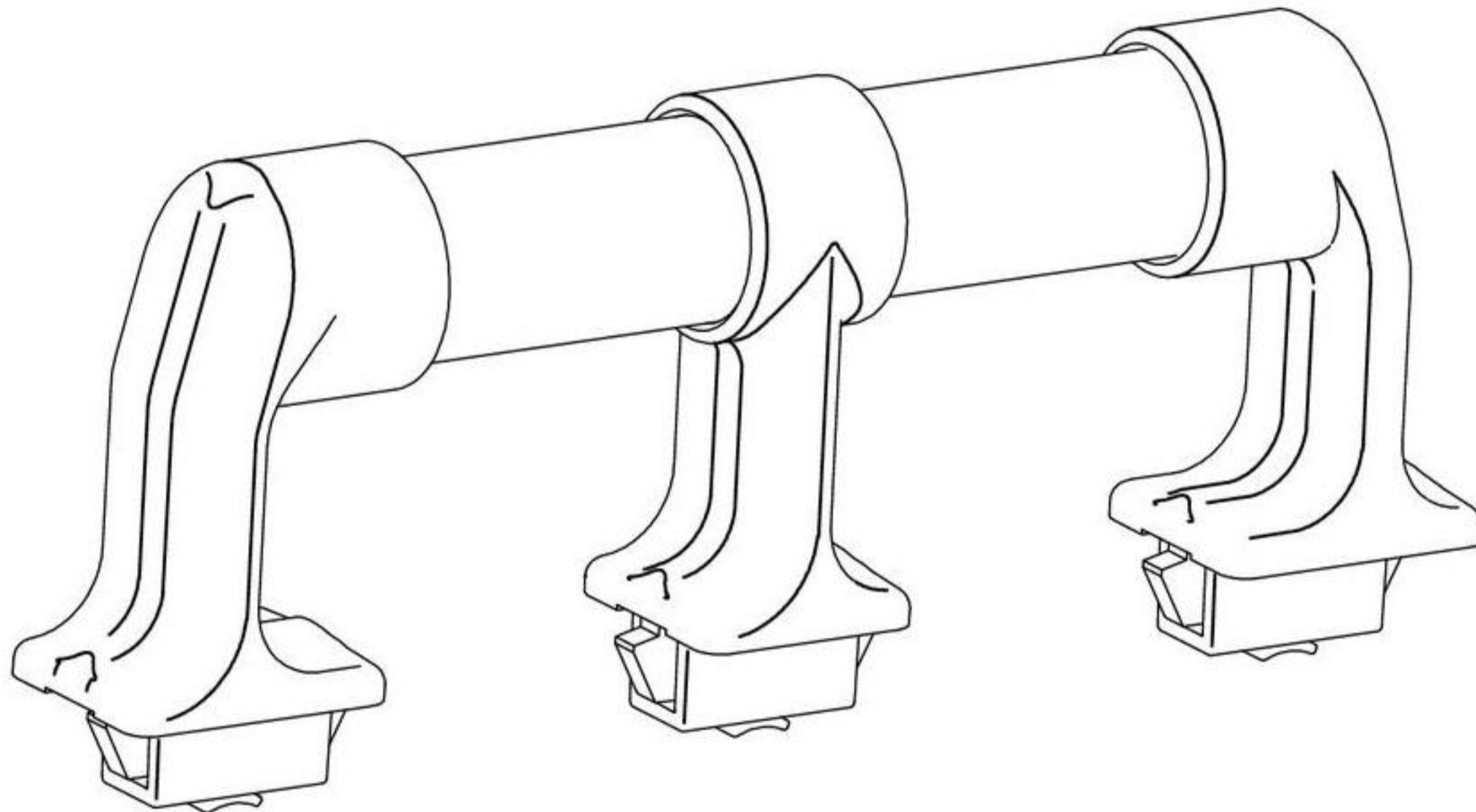
Handle with Ø30mm tube-bar in various lengths SNAP-LINE.

- Designed for vertical or horizontal uses.
- Insensitive to dirt and easy to clean.
- Inside radii min. 5mm.
- The great diameter of the tube guarantees a sure and firm grab.
- Well-fitting and firm seat of the tube in the center support and the end pieces.
- For the total size, please add 51mm to the tube length.

- The optional usable center supports make this handle suitable especially for large and heavy doors and controlling enclosures.
- The center support is optional, but should be applied for tube length over 466mm length.
- The installation is effected by a simple push into appropriate cutout.
- Bridge Handle see page 01.91.

Material:

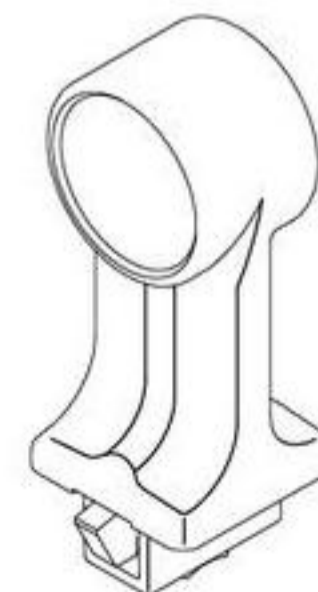
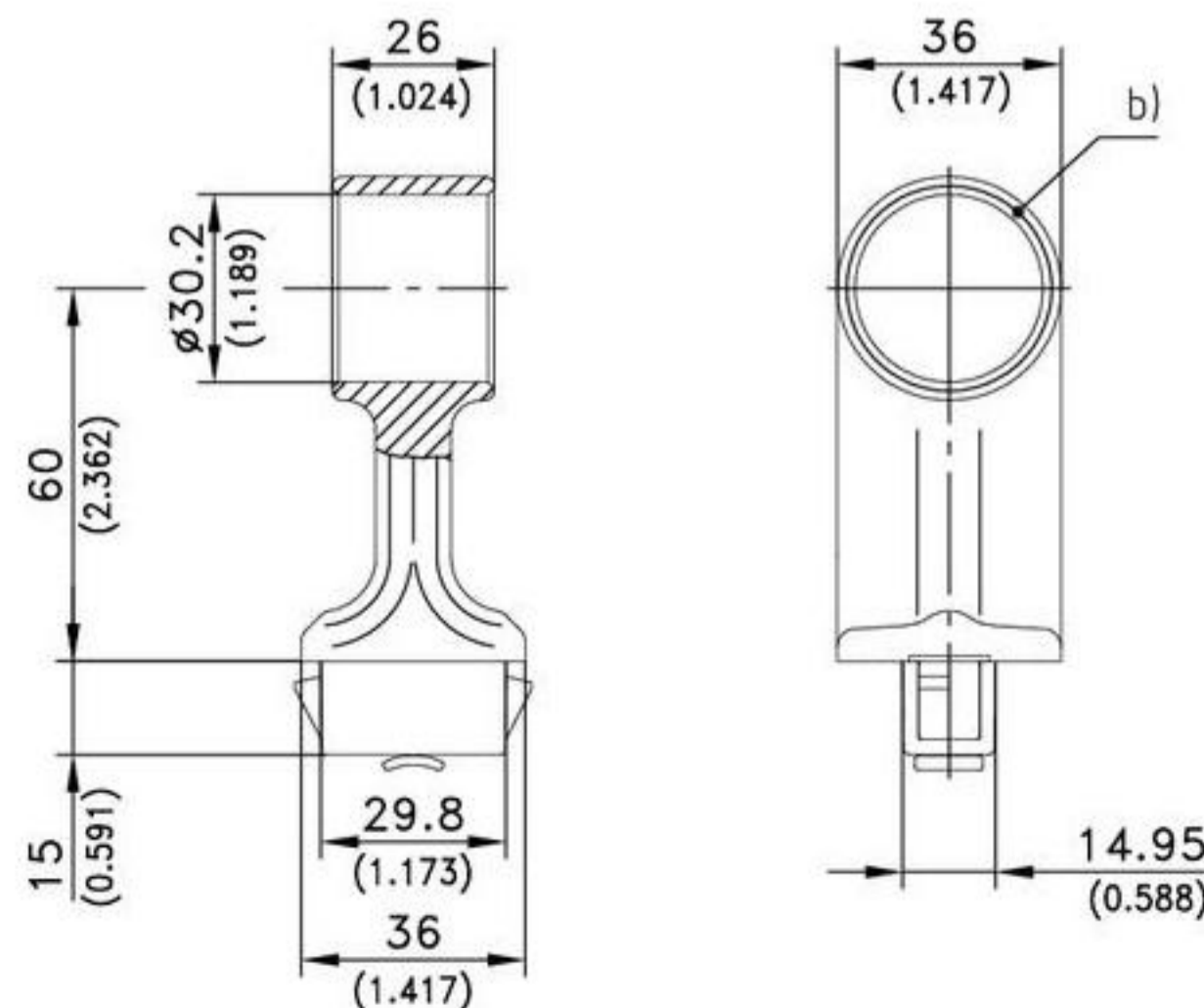
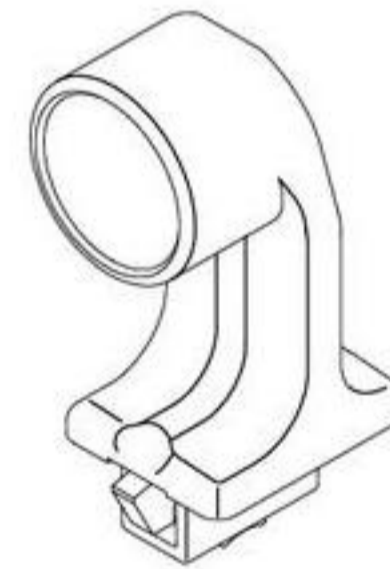
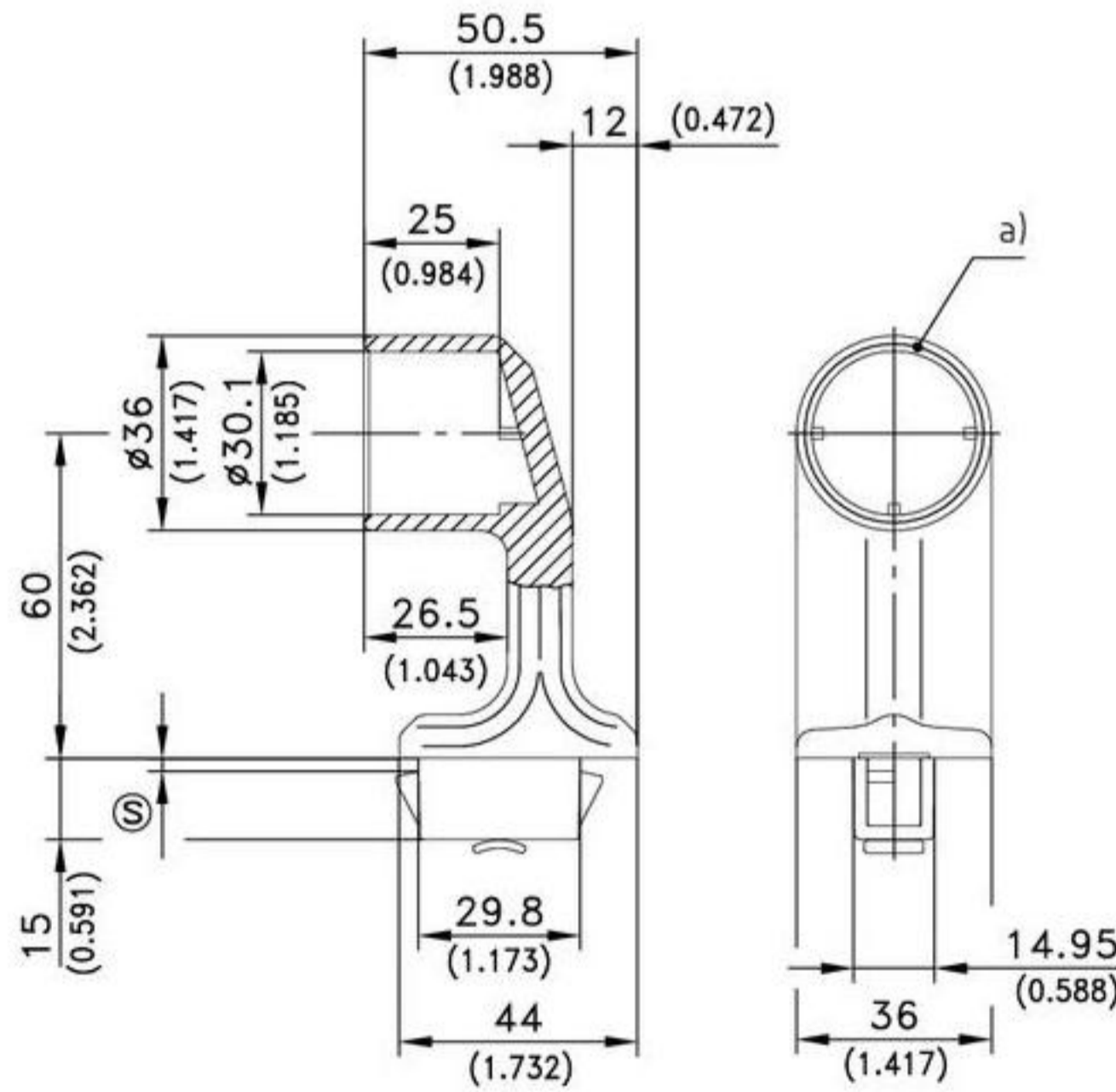
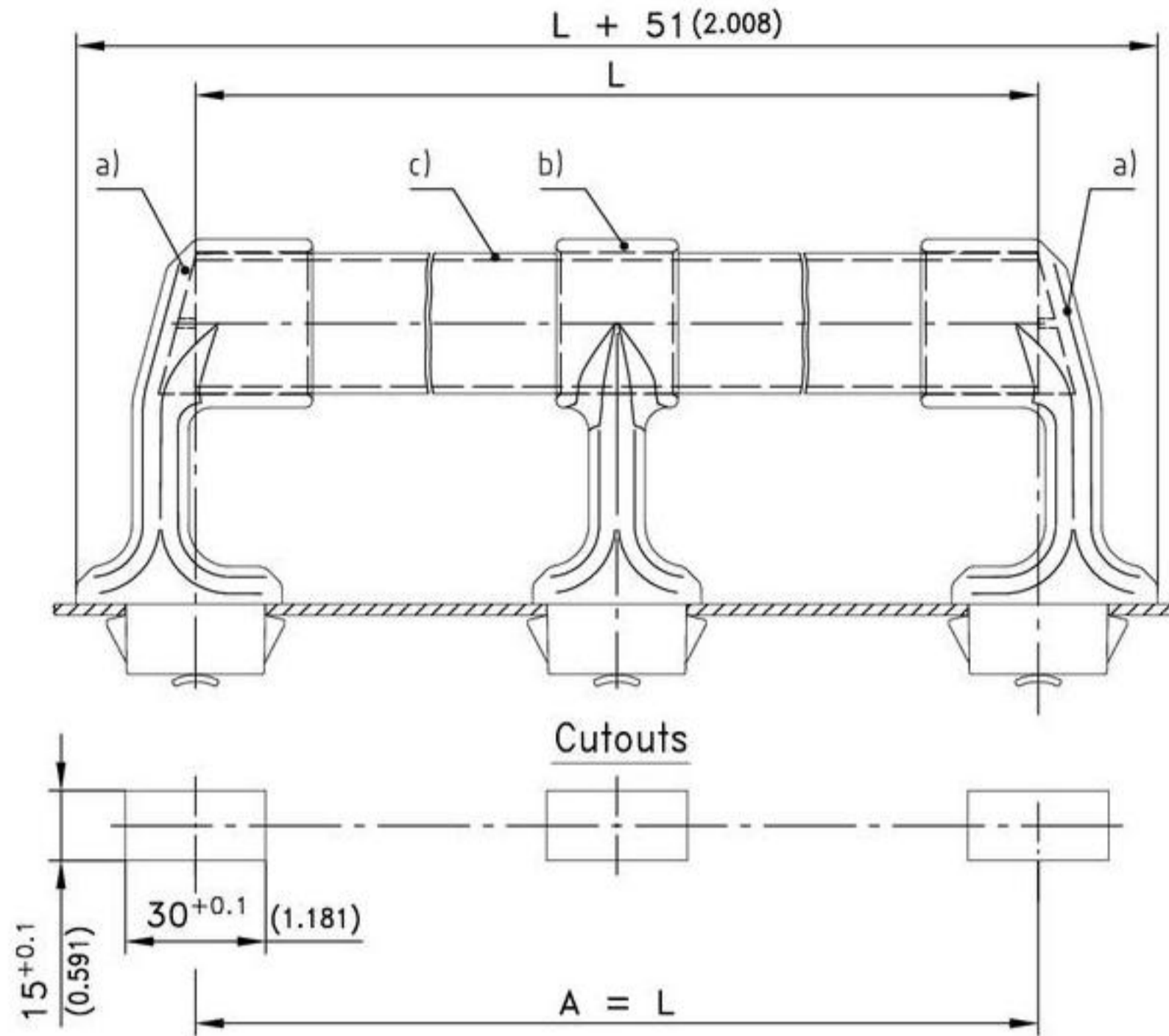
- a)
- **End piece:** PA, black
- b)
- **Center support:** PA, black c), c1) and c2)
- **Tube:** steel, PVC coated, black
- **Snap wedges:** sintered steel



	clamping range ©	Part No.	see page
a) End piece:	1,2 - 1,7	413-9101.00-00015	
	1,7 - 2,2	413-9101.00-00020	
	2,2 - 2,7	413-9101.00-00025	
	2,7 - 3,2	413-9101.00-00030	
b) center support	1,2 - 1,7	413-9102.00-00015	
	1,7 - 2,2	413-9102.00-00020	
	2,2 - 2,7	413-9102.00-00025	
	2,7 - 3,2	413-9102.00-00030	
c) Steel tube Ø30 x 1.5	L=tube length mm/ inch		
	266 / 10.472	213-0401	
	366 / 14.409	213-0402	
	466 / 18.346	213-0403	
	566 / 22.283	213-0404	
	666 / 26.220	213-0405	
	766 / 30.157	213-0406	
A=Distance between the center of the cutouts of the endpieces: A=L			
c1) Steel tube, Ø30x1,5	length 2500 / 98.425	213-0407	
c2) Steel tube, Ø30x1,5	special length	213-0408.00-L in mm	
Reinforcement plate for thin-walled sheets and for higher loads:		292-0701.15-01530	01.108
Tool for uninstallation		292-0306.80-02530	01.109
or		292-0301.15-00000	01.109

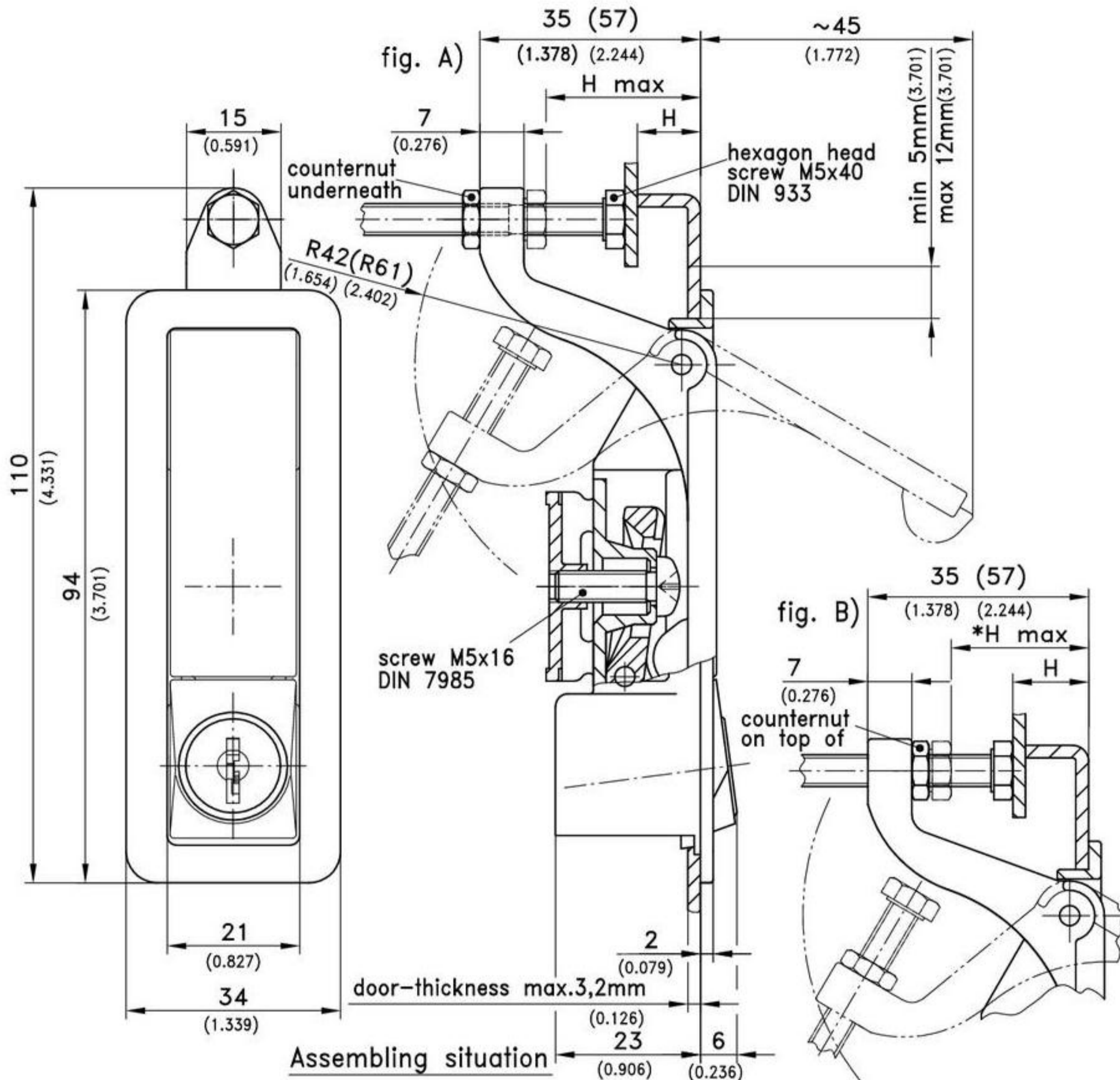
6-1600SL Handle SNAP-LINE

variable length

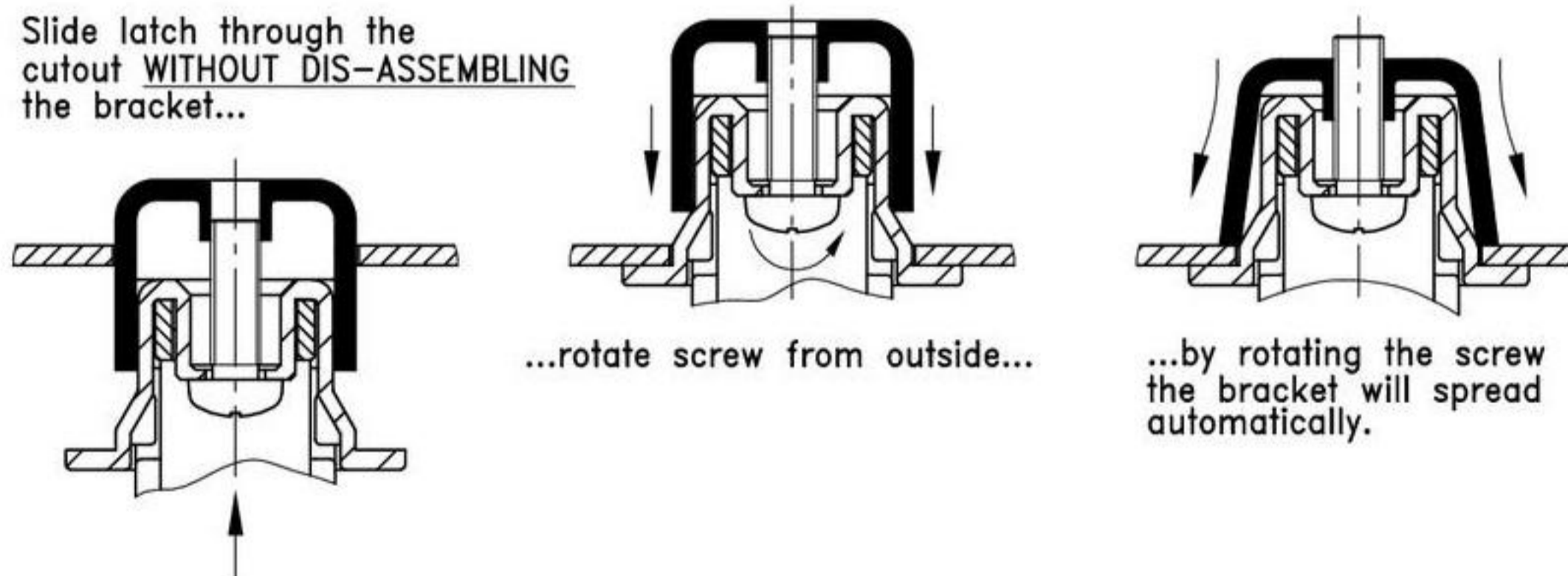


6-160 Compression Latch

Lever Actuated, Flush



Slide latch through the cutout WITHOUT DIS-ASSEMBLING the bracket...



Compression Latch	H-dimension from 3 to 24mm 0.118 to 0.945 inch	H-dimension from 22 to 46mm 0.866 to 1.811 inch
non locking	282-9401	282-9404
keyed alike DIRAK 1333*	282-9402	282-9405
keyed different/mixed*	282-9403	282-9406
* with stainless dust-shutter		
Please order separately:		
a) Screw with rubber buffer	202-1001	202-1001