

6-122 Snap-Lock

Polyamide

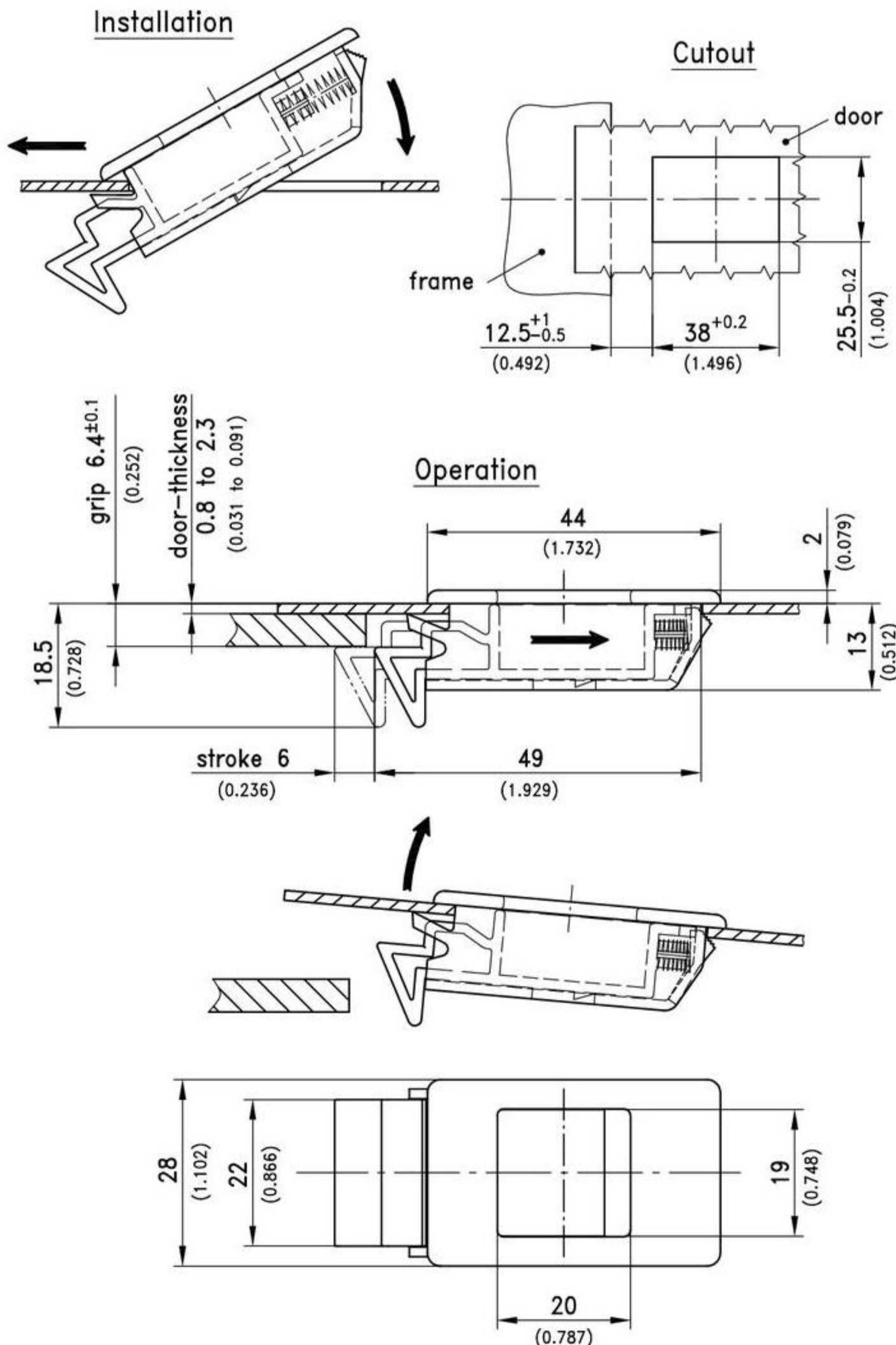


Snap-Lock, clip-in for door-thickness 0.8mm to 2.3mm (0.031 to 0.091).

- This non-corrosive closing device is especially suitable for latching of doors and lids.
- When the latch is released and in its final position a finger-tip grip becomes accessible to facilitate opening the door.
- Other colors on request!

Material:

- **Bolt and housing:**
PA, different colours
- **Spring:**
stainless steel



Version	color	Part No.
Snap-Lock	complete black	282-9001
Snap-Lock	complete grey RAL 7035	on request
Snap-Lock	complete red RAL 3020	on request