

6-1680 Handle



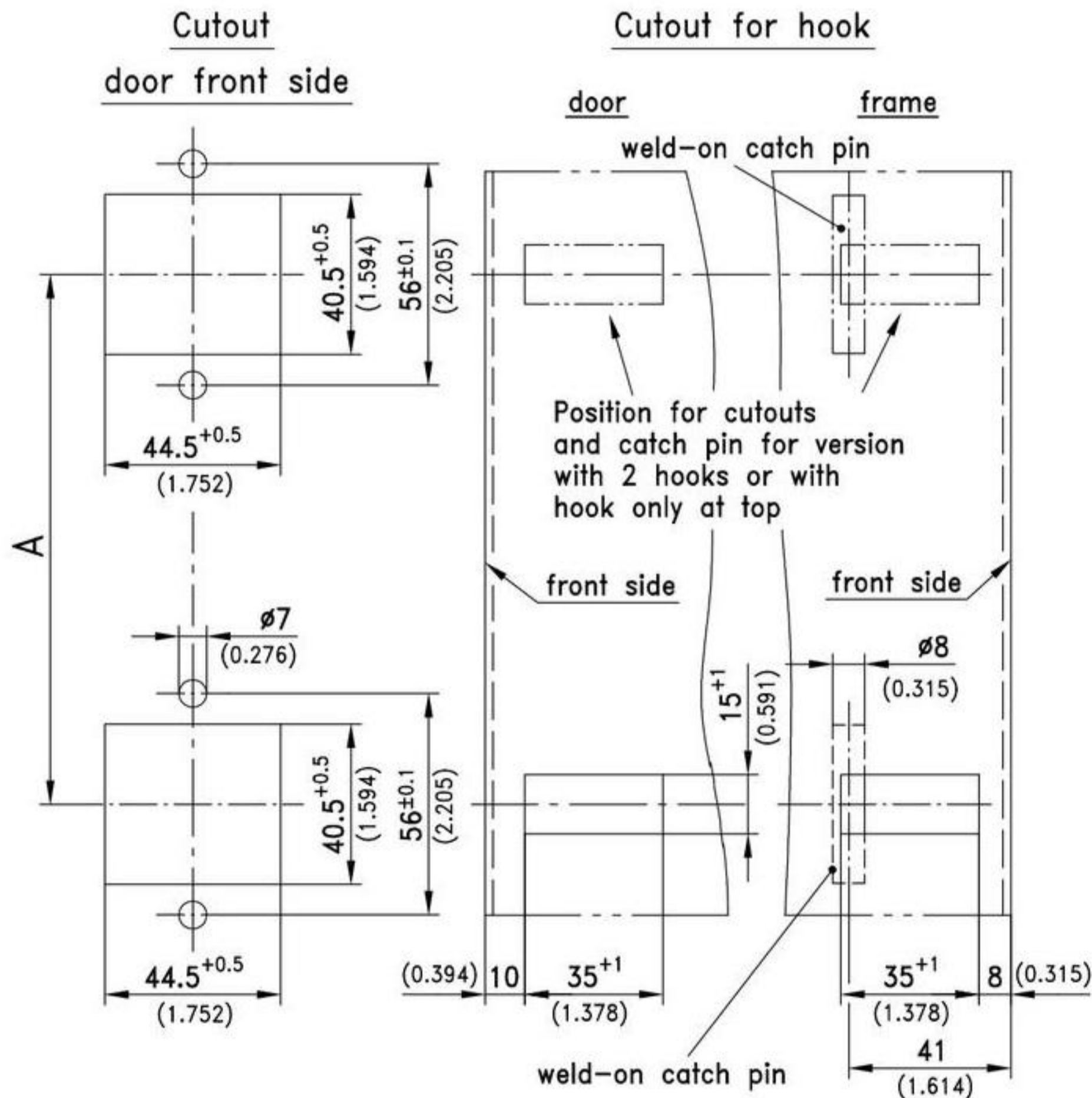
This handle has been especially designed for sliding doors on machine tools.

- The innovative idea behind this handle is the integration of sliding the door and the disengagement of the latching hook.
- This feature is possible by separating the mechanical latching from the handle, achieved by a hooked cam with a free stroke.
- Thus the annoying movement of the handle during the closing/latching process is avoided.
- Pulling the handle slightly will release the hook and the door can be opened.
- The latching devices can be linked by any 30mm round tube to create a complete handle.

- The upper and lower latching devices can be applied with or without the latching hook.

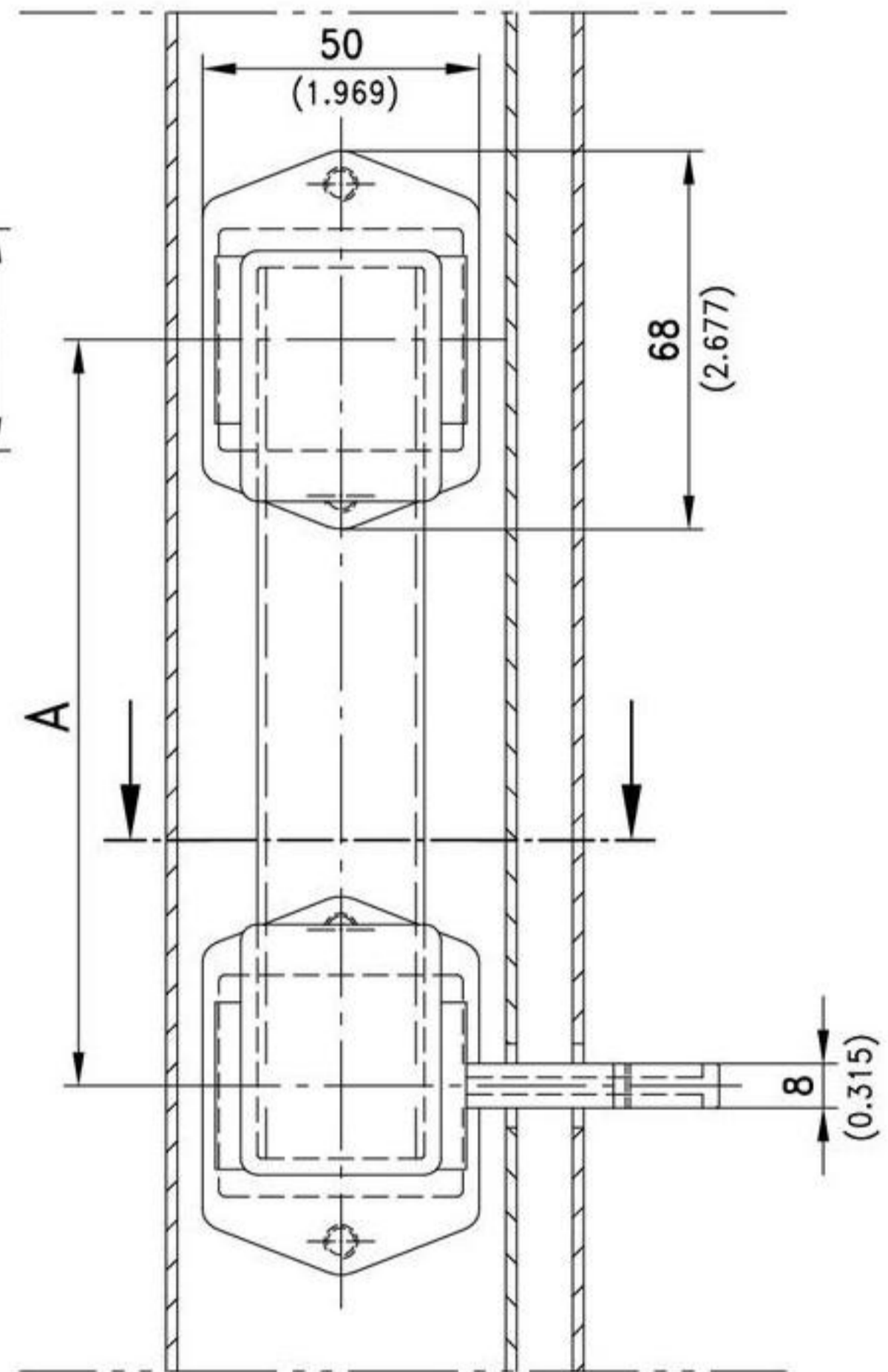
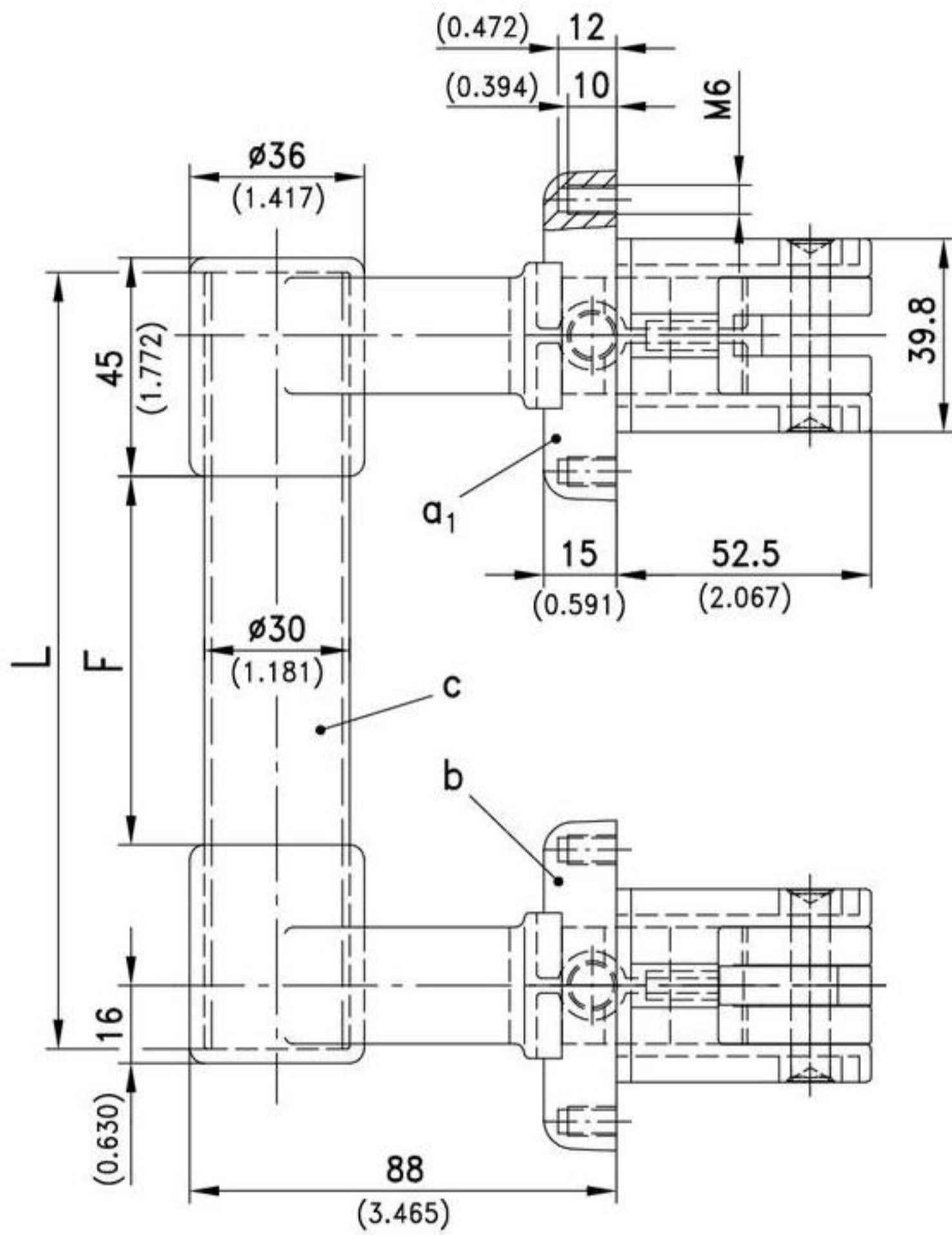
Material:

- a), a1), b) and b1)
- **Base:** zinc die, black
- **Tube housing:** zinc die, black
- **Pins:** brass
- **Spring:** stainless steel
- a) and b) add.
- **Latching hook:** steel, zinc plated
- c)
- **Handle-tube:** steel tube with synthetic coating, black stainless steel on request.



Version referring to situation as drawn	Opening direction of sliding door		Part No.
	left	right	
a) Latching device top with hook (not drawn)	280-9001	280-9003	
a1) Latching device top without hook (as drawn)	280-9002	280-9004	
b) Latching device bottom with hook (as drawn)	280-9003	280-9001	
b1) Latching device bottom without hook (not drawn)	280-9004	280-9002	
c) Handle- tube	L in mm/inch	A in mm/inch	F in mm/inch
	266 / 10.472	244 / 9.606	186 / 7.323
	366 / 14.409	344 / 13.543	286 / 11.260
	466 / 18.346	444 / 17.480	386 / 15.197
	566 / 22.283	544 / 21.417	486 / 18.134
	666 / 26.220	644 / 25.354	586 / 23.071
	766 / 30.157	744 / 29.291	686 / 27.008

6-1680 Handle



shown is a sliding-door with opening direction "left"

