



## 6-150 Slam-Latch

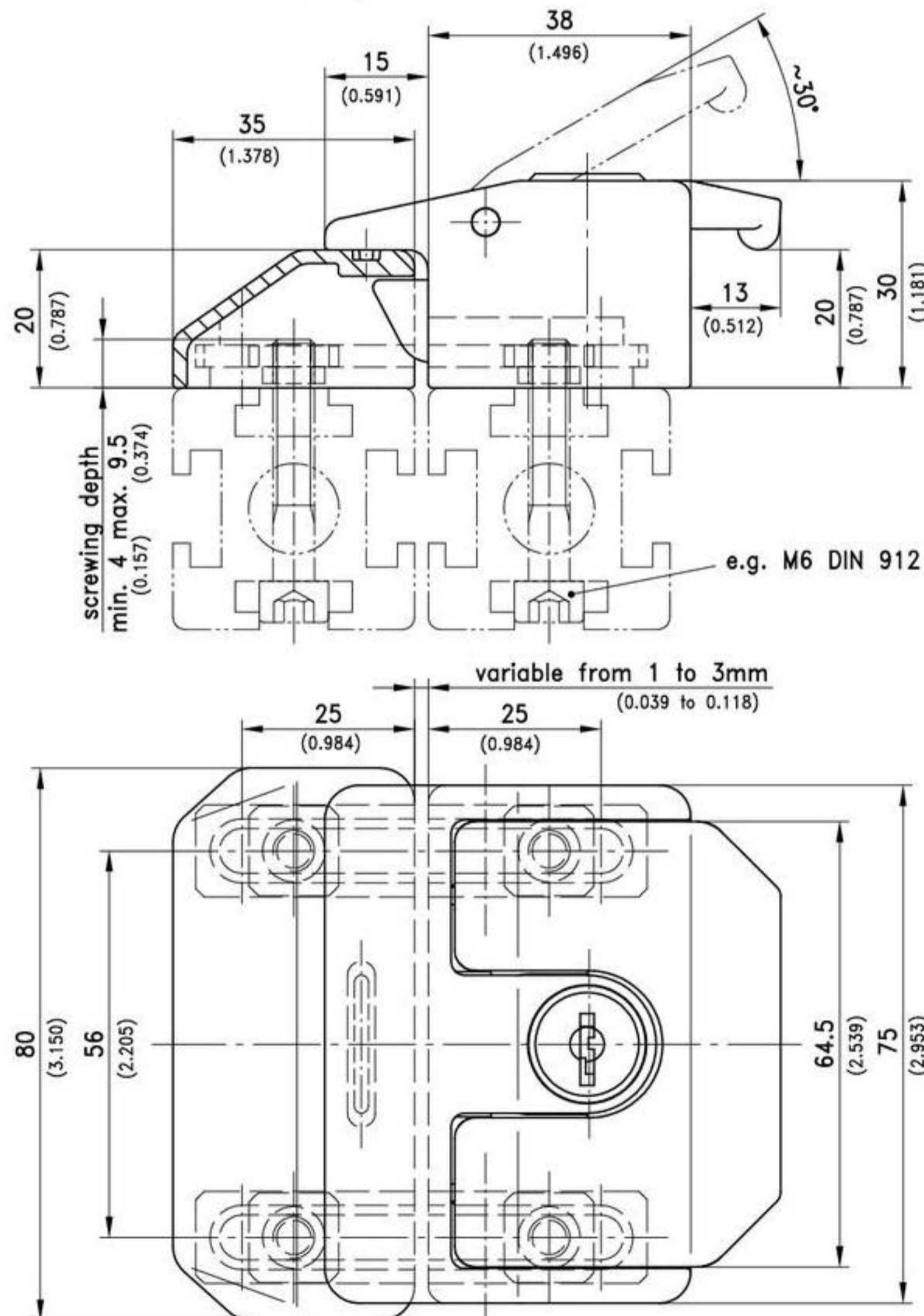
The slam-latch for aluminium profiles or flush/nested doors consists of two units: The handle part with slam-bolt and the frame part.

- This frame part catches the slam-bolt and is also the limit stop for the door.
- In this way, different profile widths can be connected with each other.
- Gently pulling the handle will disengage the Slam-Bolt.
- A gentle push will latch the door.

- The complete unit is fastened with 4 screws M6 (e.g. DIN 912, not included) into sliding tenon nuts which are included.
- All lockable slam latches are supplied with 2 keys.
- Combined versions (chrome plated/black coated) on request.

### Material:

- **Door- and frame housing:** zinc die, black or chrome plated
- **Handle:** zinc die, black or chrome plated
- **Bolt:** zinc die, untreated
- **Tenon nut:** steel, zinc plated



Slam-Latch	chrome plated	black
non locking	265-9606	265-9605
keyed alike DIRAK 1333*	265-9601	265-9602
keyed alike DS200*	565-9601	565-9602
keyed different/mixed	265-9603	265-9604

\* with stainless dust-shutter

## 6-1500.01SL Grip handle 25x5.4 SNAP-LINE

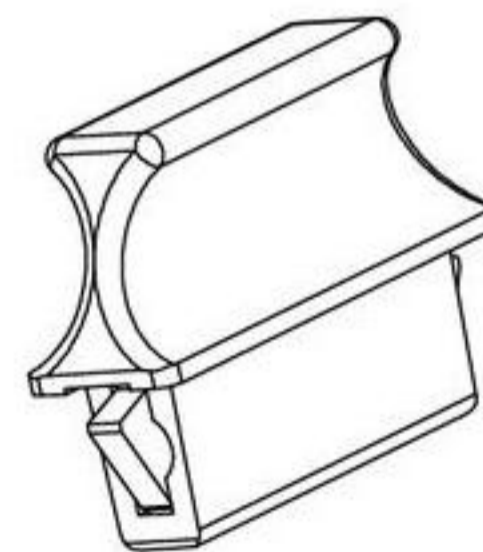
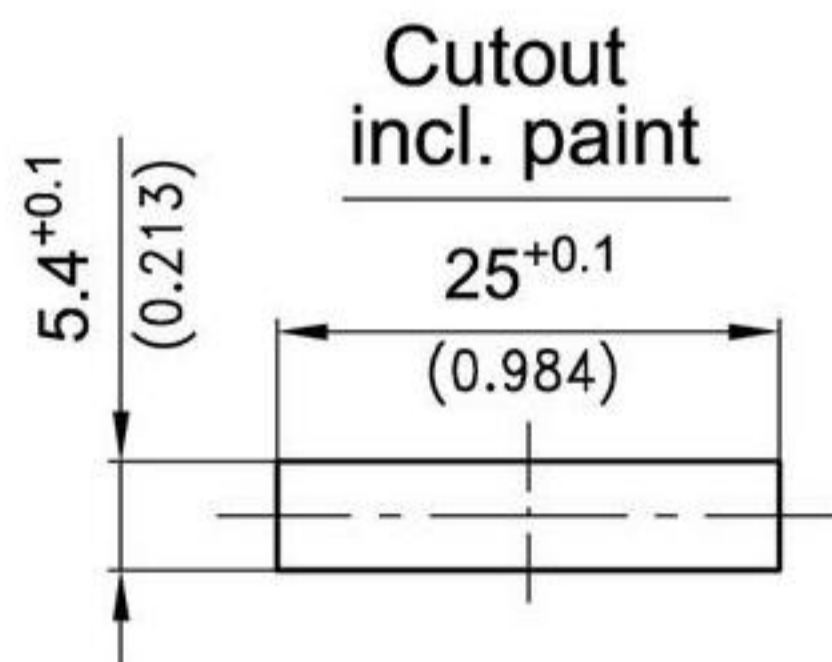
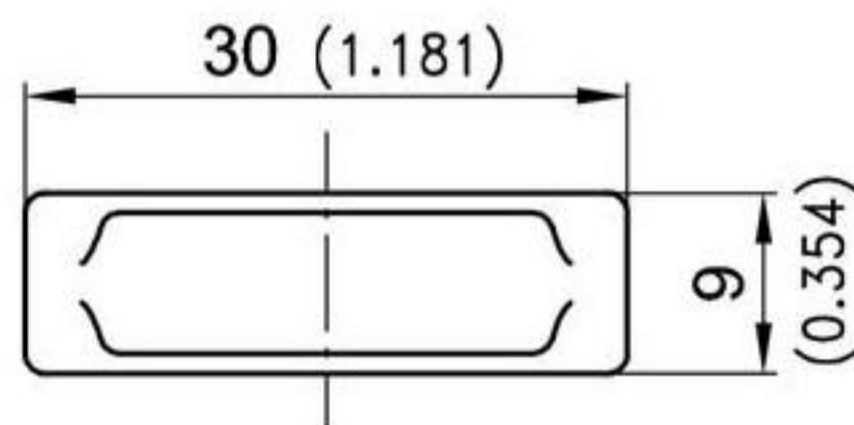
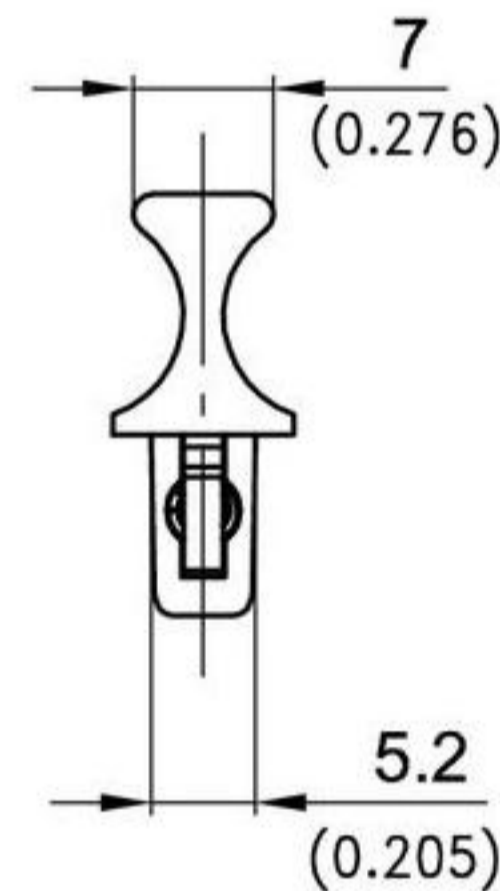
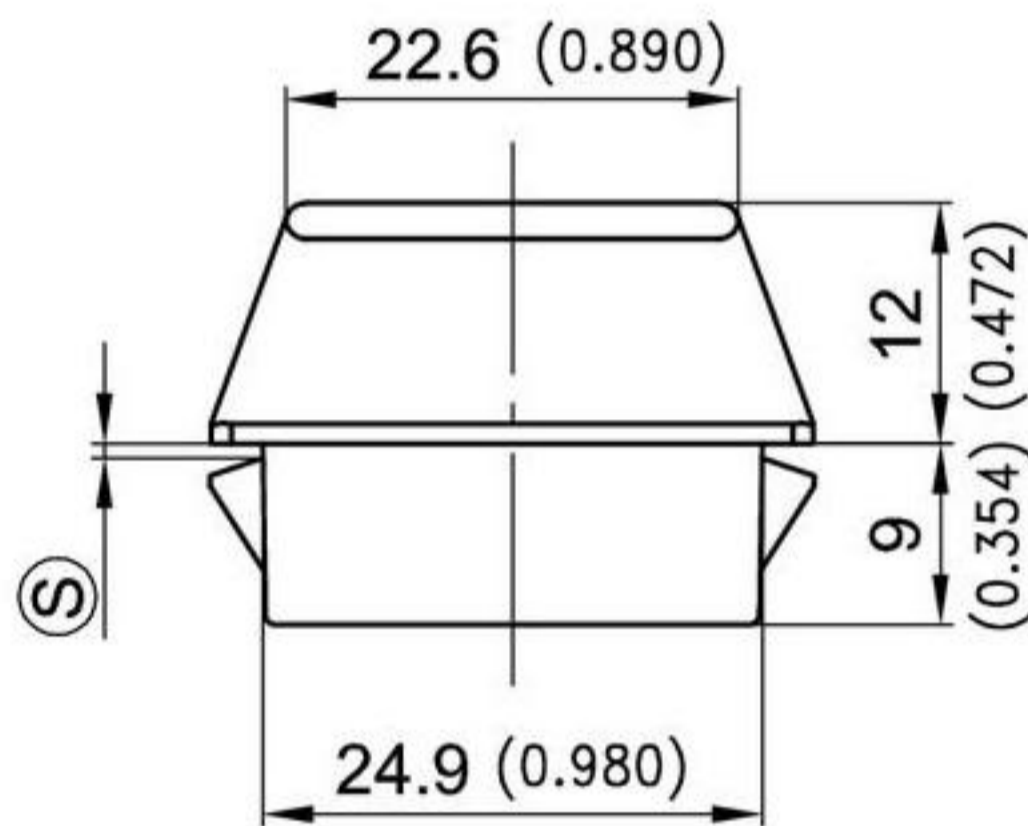


Elegant flat grip handle.

- This Handle is suitable for the computer industry, 19" technology, insertions and equipments and other applications.
- Small space requirement.
- Designed for vertical or horizontal uses.
- To be mounted by a simple push into the appropriate cutout.

**Material:**

- **Grip handle:** zinc die, matt chrome plated.
- **Other surfaces: on request**
- **Snap wedges:** sintered steel



	clamping range ©	Part No.	see page
Grip handle	0,6 - 0,9	413-9201.00-00609	
	0,8 - 1,1	413-9201.00-00811	
	1,2 - 1,5	413-9201.00-01215	
	1,8 - 2,1	413-9201.00-01821	
	2,2 - 2,5	413-9201.00-02225	
<b>Other © - dimension on request!</b>			
Tool for uninstallation		292-0306.80-02530	01.109

## 6-1500.02SL Grip Handle 9.5x8.5 SNAP-LINE

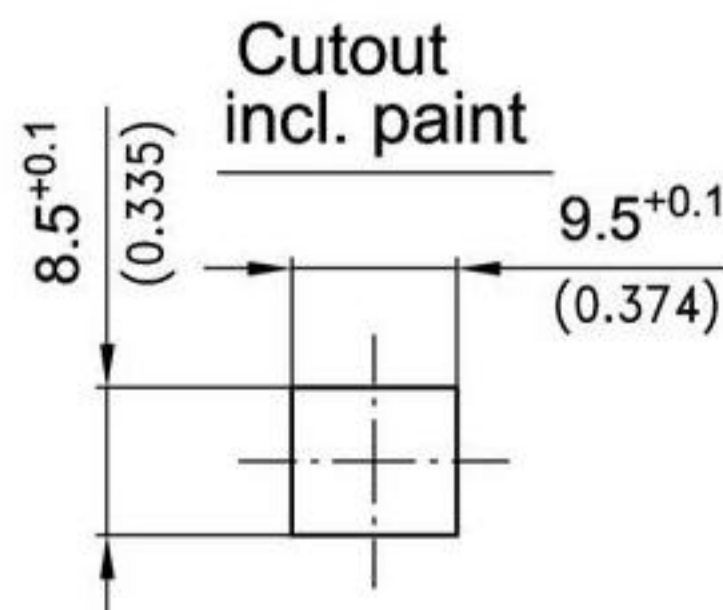
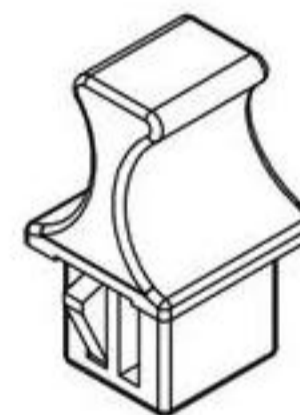
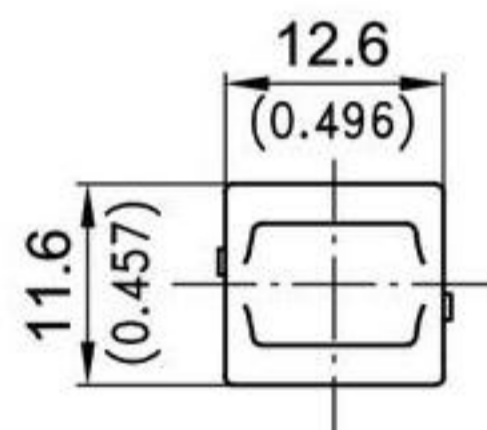
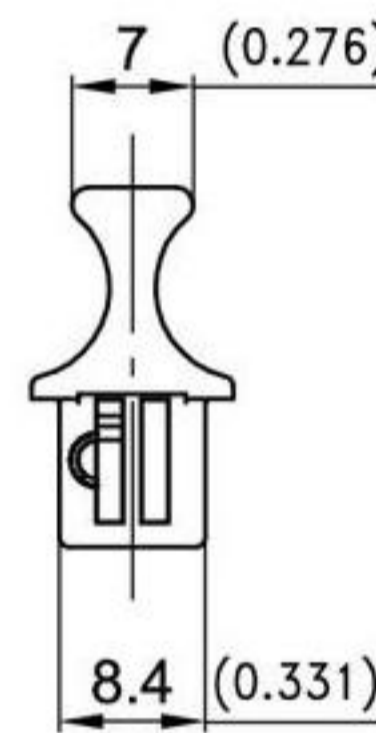
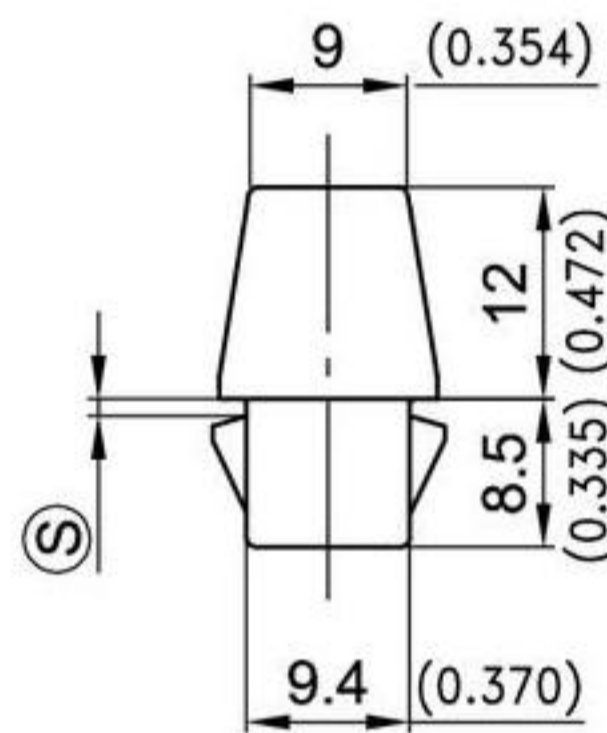


Elegant flat grip handle.

- This Handle is suitable for the computer industry, 19" technology, insertions and equipments and other applications.
- Small space requirement.
- Designed for vertical or horizontal uses.
- To be mounted by a simple push into the appropriate cutout.

**Material:**

- **Grip handle:**  
zinc die, matt chrome plated or black
- **Snap wedges:**  
sintered steel



	clamping range ©	zinc die, matt chrome plated	zinc die, black
Grip handle	0,8 - 1,0	413-9202.00-00810	413-9203.00-00810
	1,1 - 1,3	413-9202.00-01113	413-9203.00-01113
	1,2 - 1,5	413-9202.00-01215	413-9203.00-01215
	2,0 - 2,2	413-9202.00-02022	413-9203.00-02022

Other © - dimension on request!