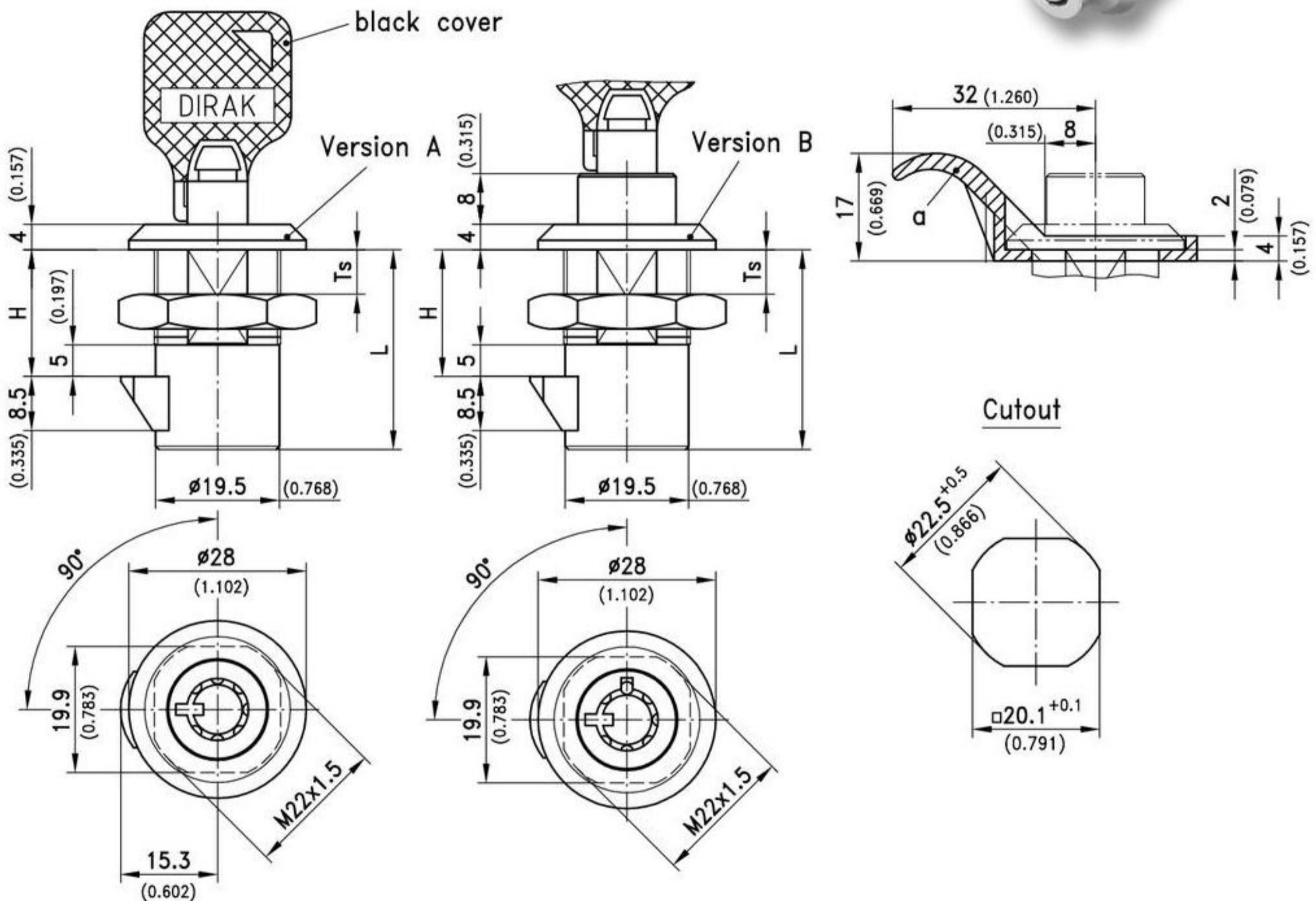


1-501 Snap-Lock L31.5/36.5



- Snap-lock in two different versions.
- Version A: The spring loaded cam is operated by the key.
 - Version B: The spring loaded cam is operated by a lockable push-button.

- Material:**
- **Snap-Lock:** zinc die, chrome plated
 - **Nut:** zinc die



				see page
Length of body	L	31.5	36.5	
Door-thickness	Ts max.	10	15	
Latching distance	H	20	25	
A Snap-lock Key controlled with plain grounding/earthing nut				
keyed alike DIRAK D0205		264-9002	264-9004	
keyed different/mixed		264-9001	264-9003	
B Snap-lock Push-button controlled with plain grounding/earthing nut				
non locking		264-9009	-	
keyed alike DIRAK D0205		264-9006	264-9008	
keyed different/mixed		264-9005	264-9007	
All locks supplied with two keys.				
Please order separately:				
a) Finger pull:			200-4703.03-00000	02.80
By using a finger pull the dimensions Ts and H decreases by 2mm!				