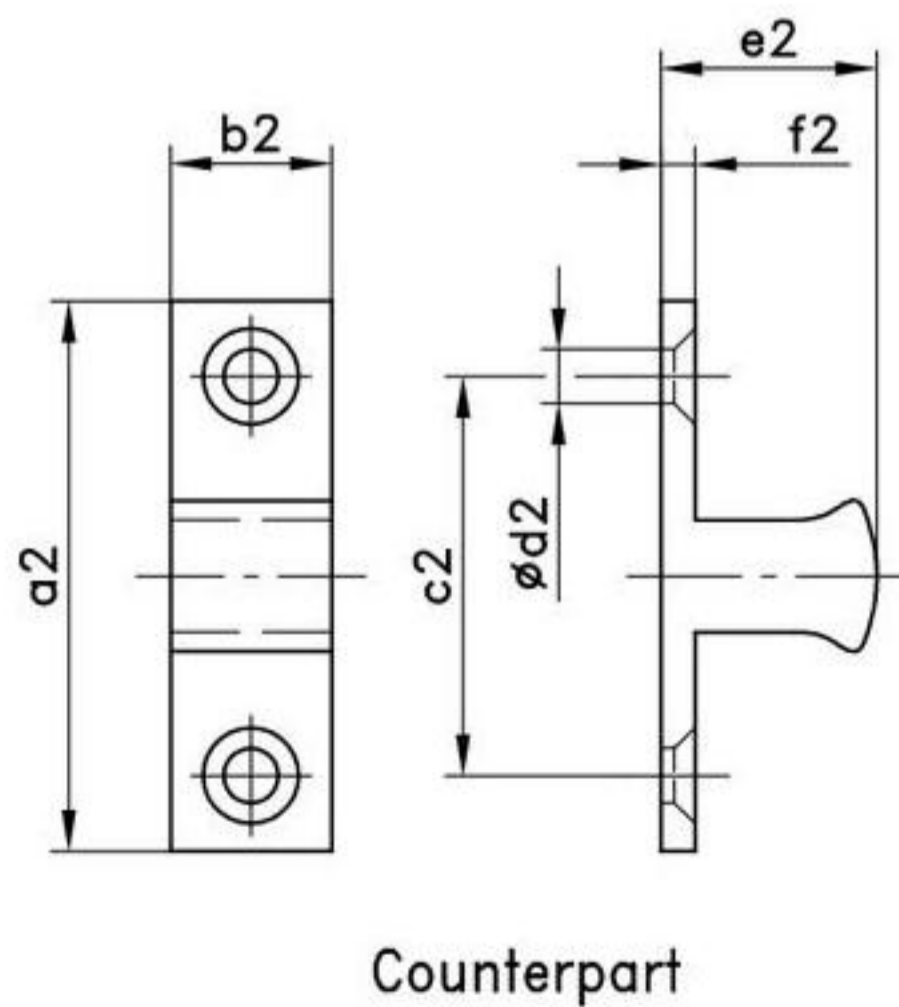
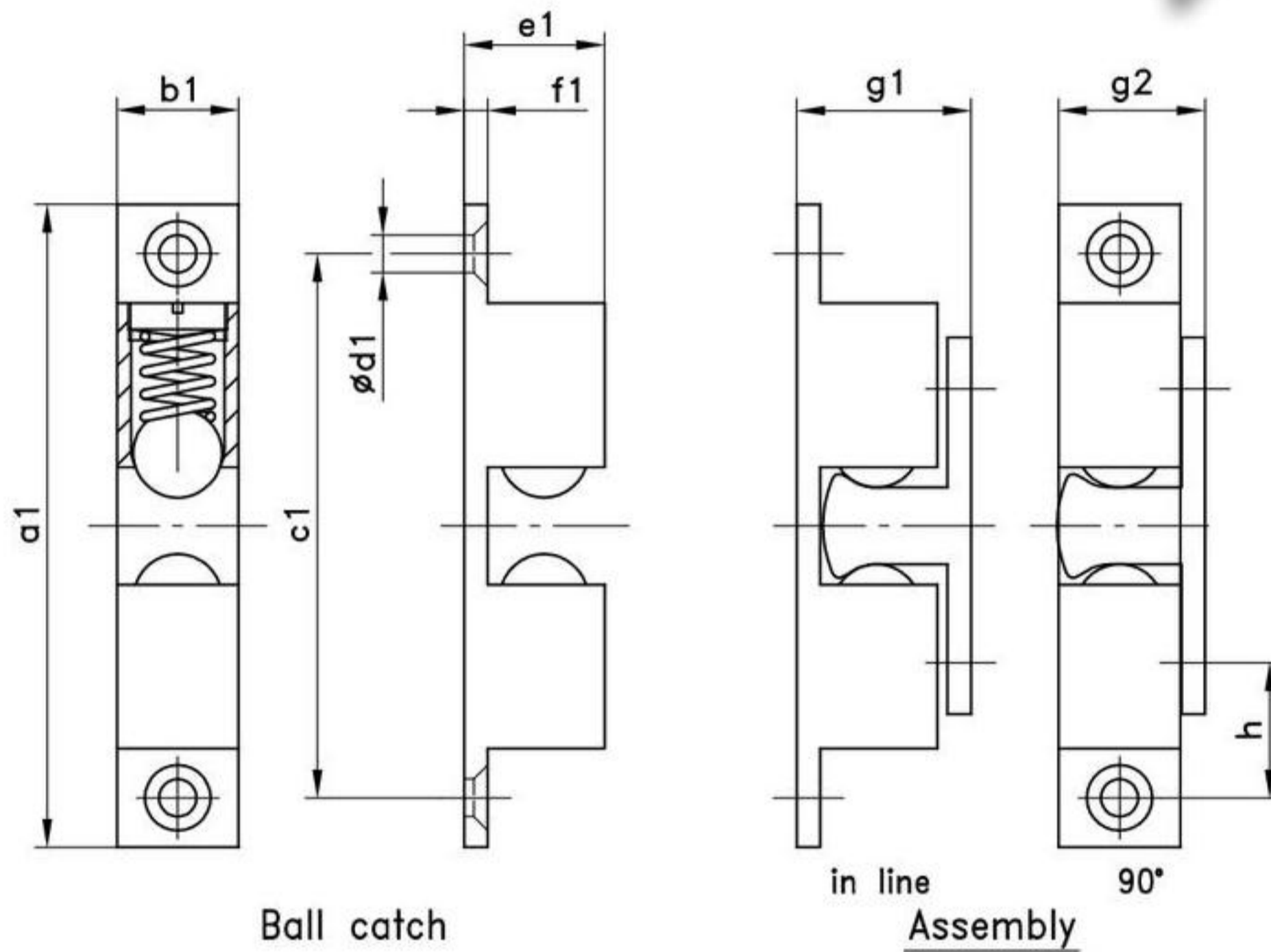


6-130 Dual Ball Catch



Material:

- **Ball catch and counterpart:**
brass or brass, chrome plated
- **Spring:**
stainless steel
- **Ball:**
stainless steel



Part No.		Ball catch						Counterpart						Assembly		
brass	chrome plated	a1	b1	c1	d1	e1	f1	a2	b2	c2	d2	e2	f2	g1	g2	h
263-9001	263-9007	43.5	8.0	35.0	3.8	9.4	2.0	24.7	7.5	15.2	3.8	9.8	1.7	11.8	9.7	9.9
263-9002	263-9008	49	8.8	39.8	3.8	10.6	2.0	28.8	7.6	19.8	3.8	11.2	2.0	13.2	10.8	10.0
263-9003	263-9009	59.8	11.2	49.8	5.2	13.2	2.4	34.8	10	24	5.2	13.5	2.2	15.9	13.4	12.9
263-9004	263-9010	68.4	13.0	58.0	5.2	15.0	2.4	40.2	12	30	5.2	15.7	2.3	18.1	15.2	14.0

6-1300SL Finger Pull Handle SNAP-LINE

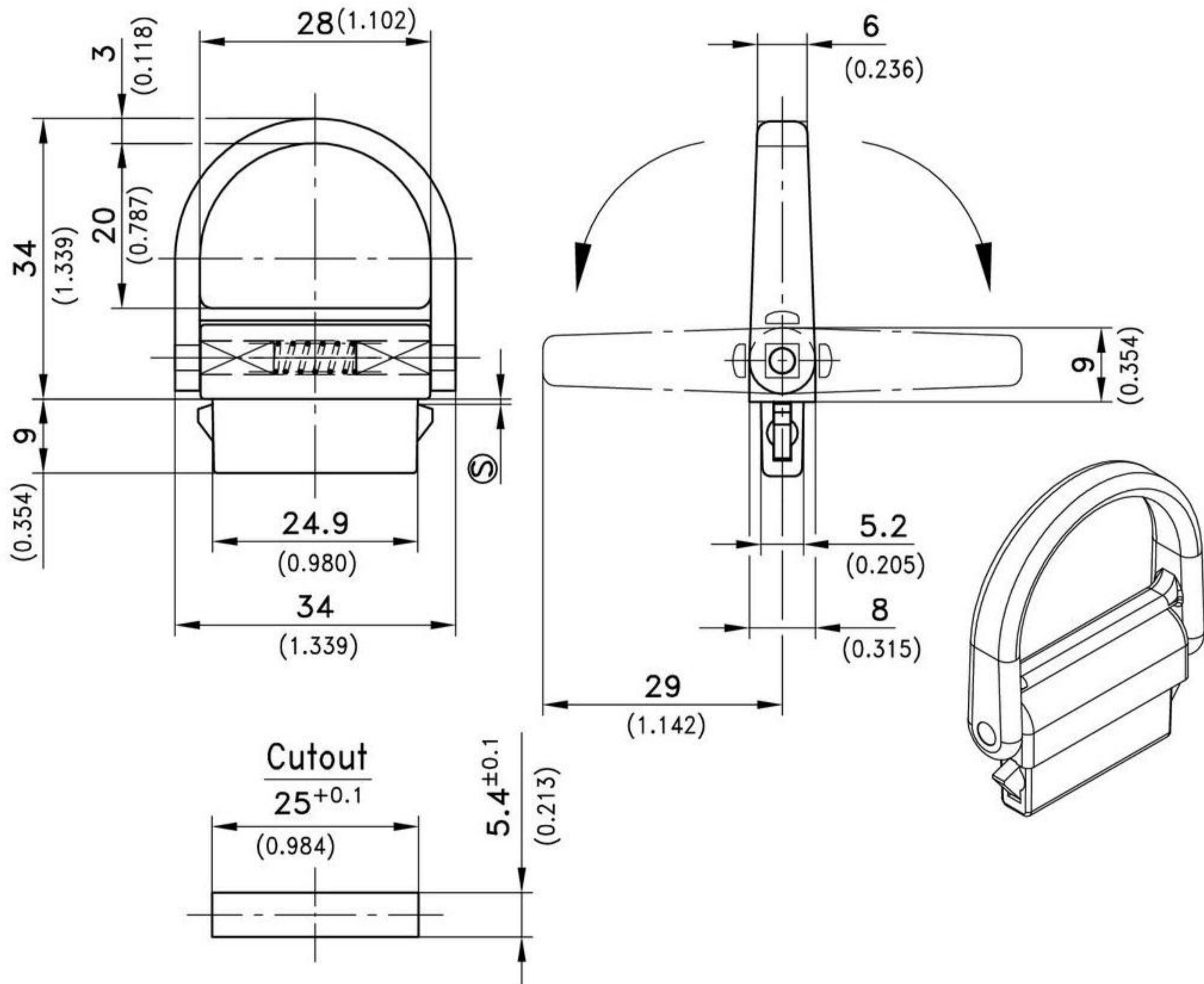


Finger pull sideways folding.

- Small space requirement.
- This Finger Pull Handle is suitable for the computer industry, 19" technology, insertions and equipments and other applications.
- Installation by a simple push into the cutout.

Material:

- **Handle- and Snap-part:** zinc die, matt chrome plated.
- **Pins:** steel, zinc plated
- **Spring:** spring steel, zinc plated
- **Other surfaces: on request**
- **Snap wedges:** sintered steel



	clamping range ©	Part No.	see page
Folding Finger Pull Handle	0,8 - 1,1	413-9016.00-00811	
	1,2 - 1,5	413-9016.00-01215	
	1,8 - 2,1	413-9016.00-01821	
	2,2 - 2,5	413-9016.00-02225	
Other © - dimension on request!			
Tool for uninstallation		292-0306.80-02530	01.109