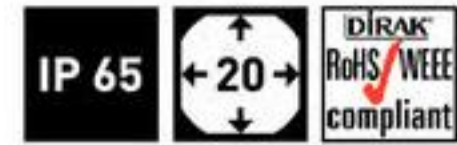


7-075 Safety Quarter-Turn Pr20.1 L18

stainless steel AISI 316

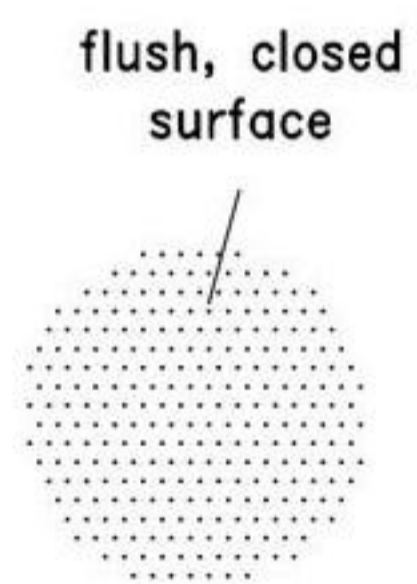
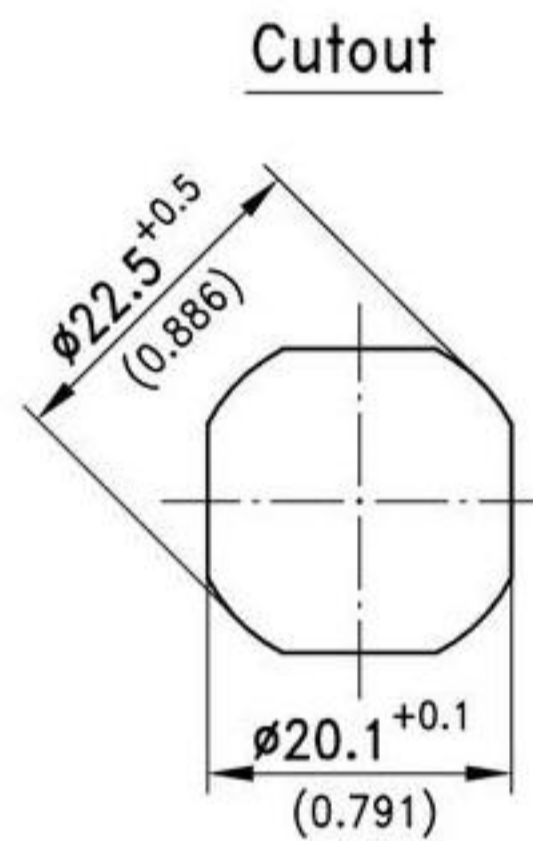
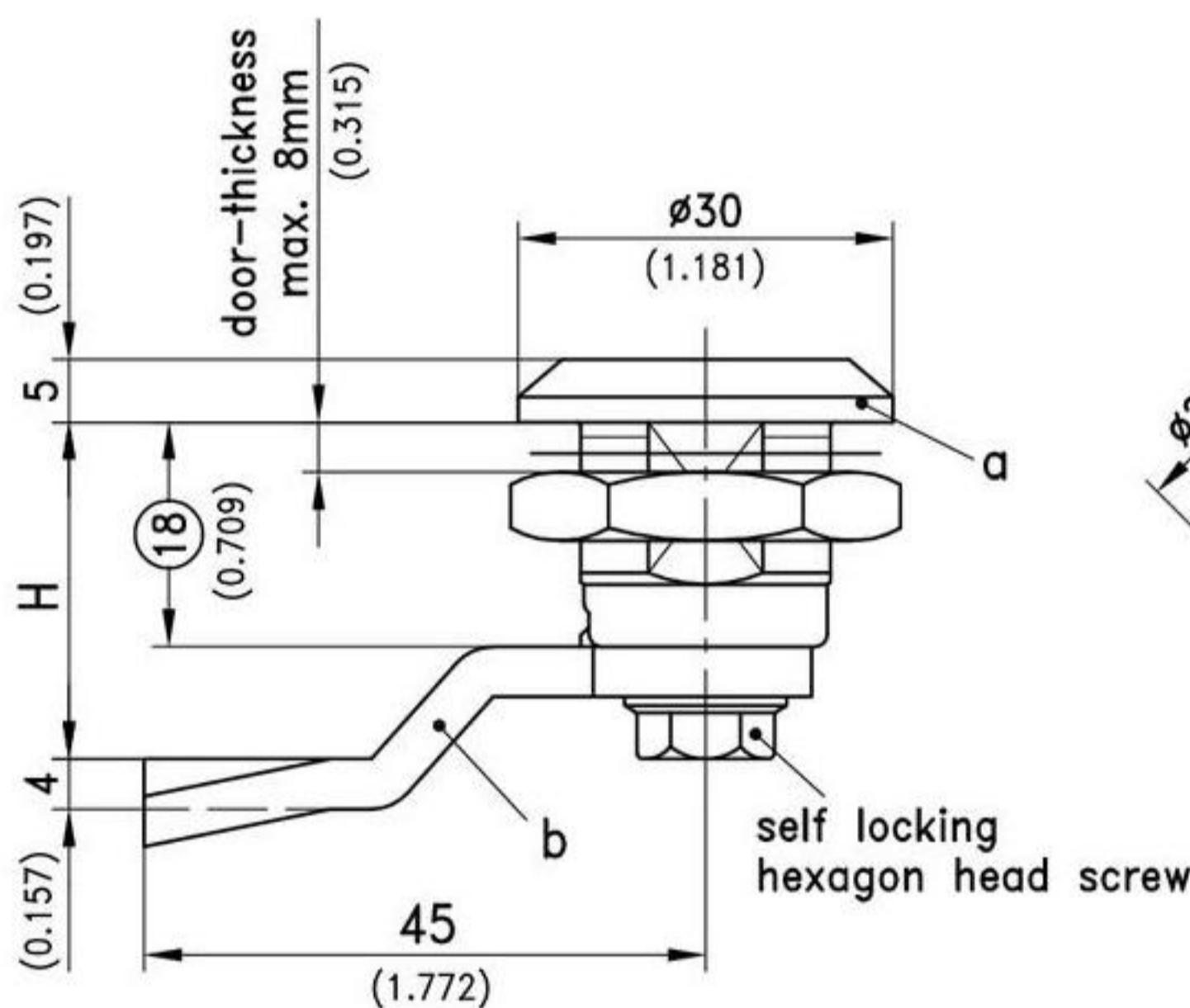


Safety Quarter-Turn, vibration-proof with high compression force.

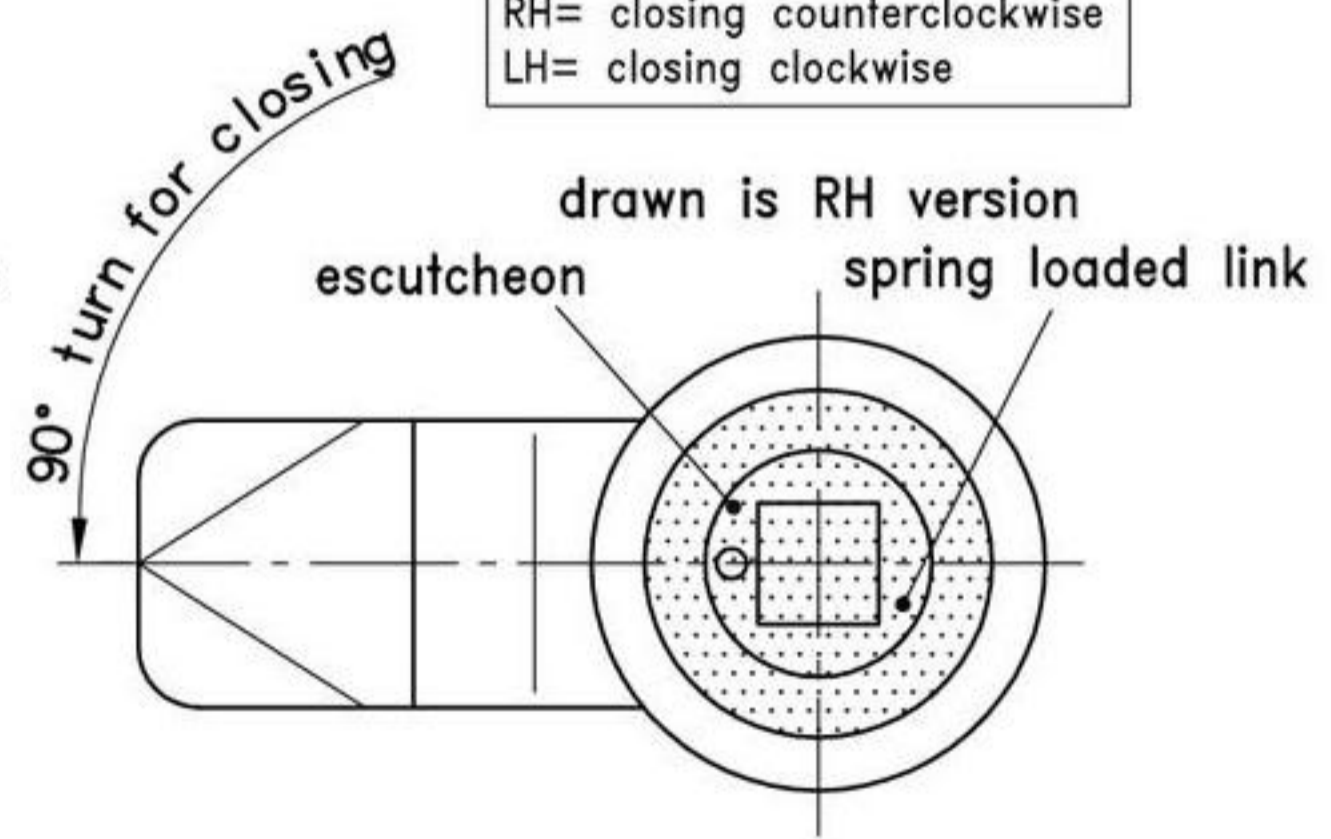
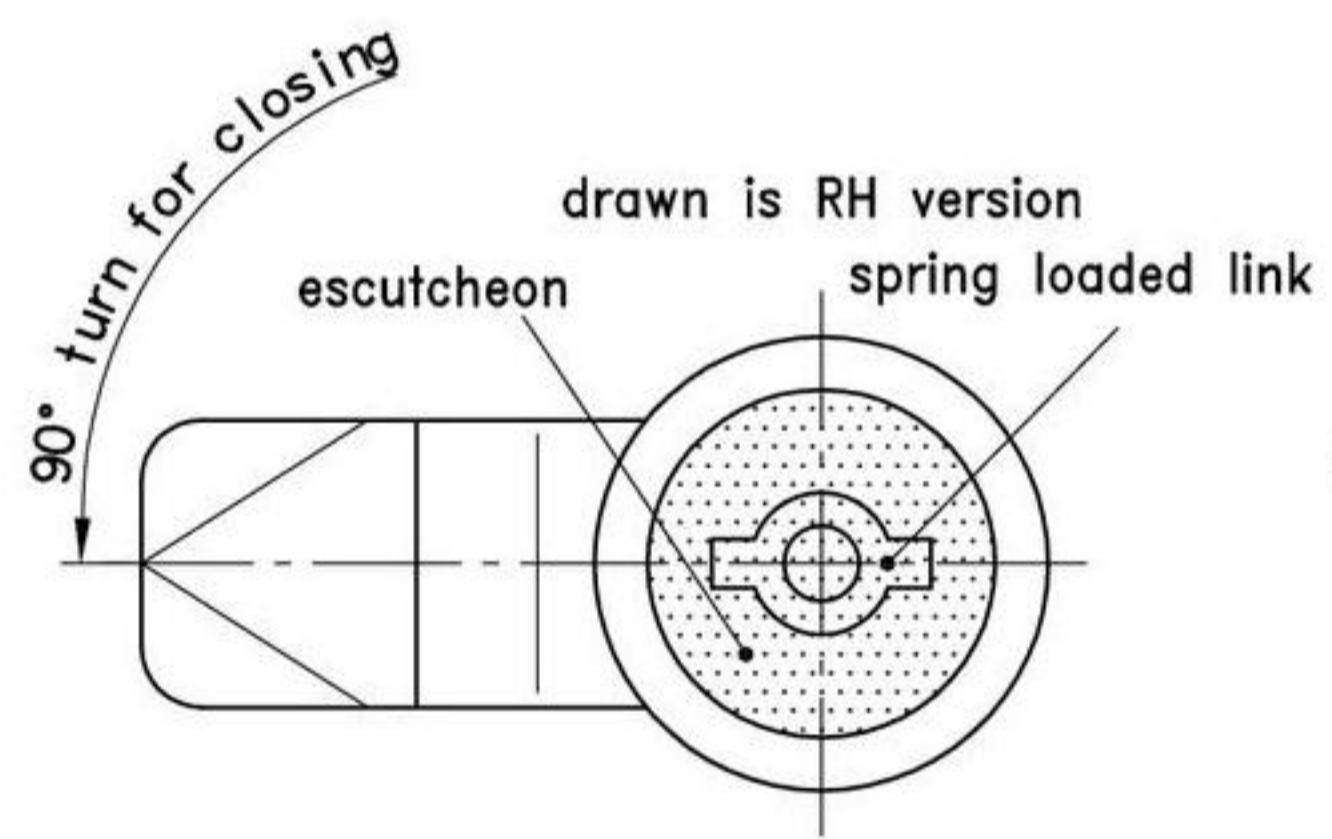
- With the double bit versions the key is captive in the open position, according to DIN 43668.
- Water- and dust-tight according to IP65 DIN EN 60529.
- On request cams can be assembled by DIRAK.
- Additional advantage: completely closed surface.

Material:

- a) and b)
- **Housing, insert, escutcheon and spring loaded link, pin and cam:** stainless steel or b1)
- **Cam:** PA, black



Assemble cam in the direction of marking
RH= closing counterclockwise
LH= closing clockwise



a) Control unit is completely assembled and sealed but without cam			
Insert		Part No.	see page
Double bit 5 pin	RH*	255-9409	
Double bit 5 pin	LH	255-9410	
Square 7	RH / LH	255-9402	
Square 8	RH / LH	255-9403	
Triangular 8	RH / LH	255-9405	
b) Cam stainless steel			
b1) Cam PA (black)			10.10
Special cams			02.30
Optional:			02.61
c) Assembling of cam			
*as drawn		200-0001	