

6-320 Locking Bar System

Heavy duty

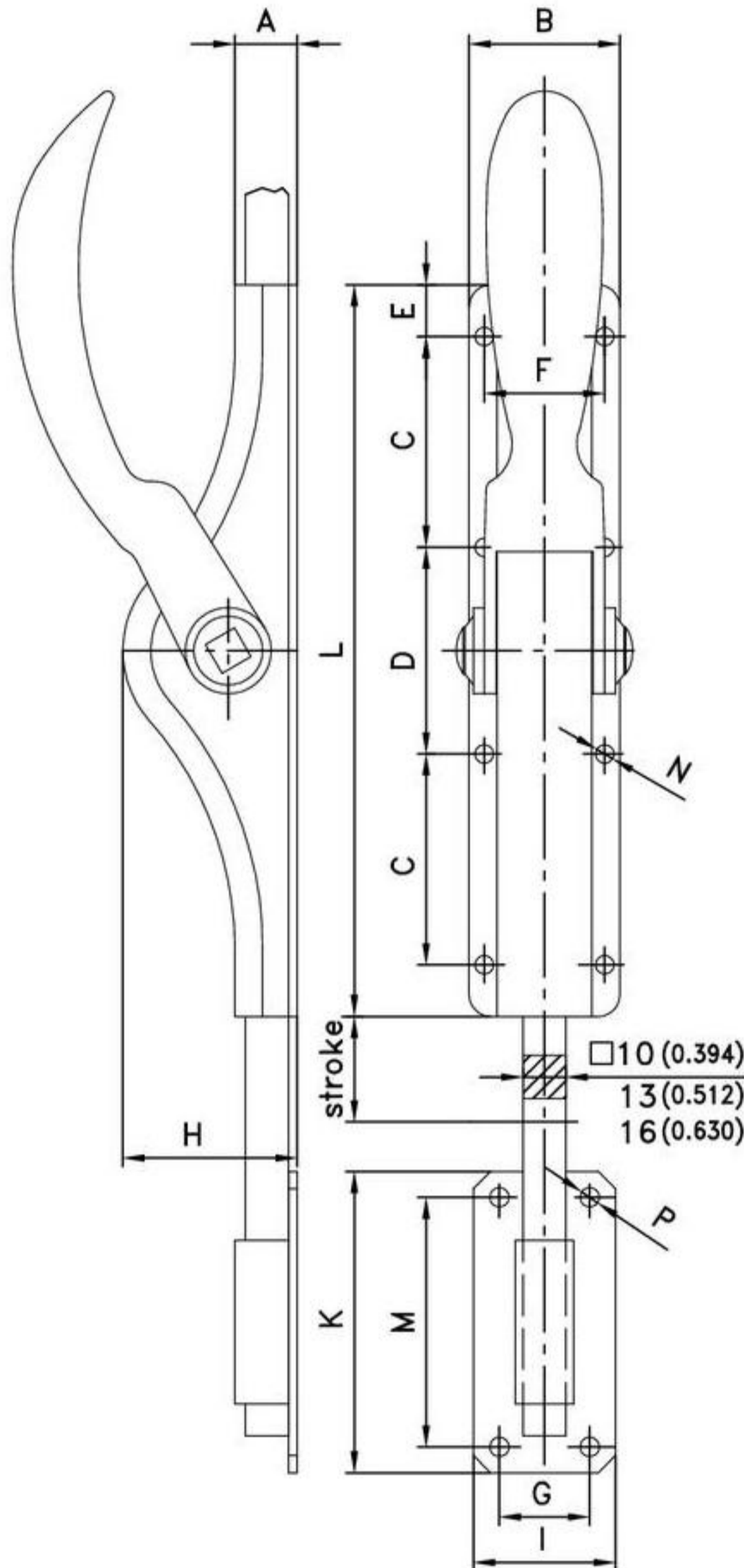


Locking bar system, for heavy doors.

- The rod is supplied complete.
- Both ends can be connected to the gear mechanism.
- This allows any positioning of the gear casing.

Material:

- a) and b)
- **Gear mechanism:**
steel, blue zinc plated
- **(yellow zinc plated on request, but not RoHS compliant)**



Dimensions of gear casing and Rod Guide:

	□10 mm / inch	□13 mm / inch	□16 mm / inch
A	14.5 / 0.571	18.5 / 0.728	23 / 0.906
B	35 / 1.378	42 / 1.654	58 / 2.283
C	49 / 1.929	53 / 2.087	67 / 2.638
D	48 / 1.890	46 / 1.811	68 / 2.677
E	12 / 0.472	13 / 0.512	12 / 0.472
F	28 / 1.102	28 / 1.102	42.5 / 1.673
G	21 / 0.827	23 / 0.906	38 / 1.496
H	40.5 / 1.594	44.5 / 1.752	60 / 2.362
I	33 / 1.299	36 / 1.417	55 / 2.165
K	70 / 2.756	70 / 2.756	78 / 3.071
L	170 / 6.693	178 / 7.008	226 / 8.898
M	58 / 2.283	58 / 2.283	62 / 2.441
N	4.3 / 0.169	5.5 / 0.217	6 / 0.236
P	4.5 / 0.177	4.8 / 0.189	4.8 / 0.189

	Cross-section of rod		
	□ 10	□ 13	□ 16
a) Gear mechanism without rod but with Rod Guides	249-9000*	249-9100*	249-9200*
b) Gear mechanism with rod 1500mm/59" long and Rod Guides	249-9001*	249-9101*	249-9201*
b1) Gear mechanism with rod 2000mm/79" long and Rod Guides	249-9002*	249-9102*	249-9202*
b2) Gear mechanism with rod 2500mm/98" long and Rod Guides	249-9003*	249-9103*	249-9203*
b3) Gear mechanism with rod 3000mm/118" long and Rod Guides	249-9004*	249-9104*	249-9204*
Number of Rod Guides	2	3	4
Rod Stroke	19 / 0.748	19 / 0.748	28 / 1.102
c) Additional rod guide	249-0401*	249-0402*	249-0403*
d) Rod catching plate straight (not shown)	249-0201*	249-0202*	249-0203*
d1) Rod catching plate angled (not shown)	249-0301*	249-0301*	249-0302*
e) Rod catching bushing for concrete (2 parts) (not shown)	249-9401*	249-9402*	249-9403*

* Delivery time on request.