

1-080 Compression Quarter-Turn 21.6

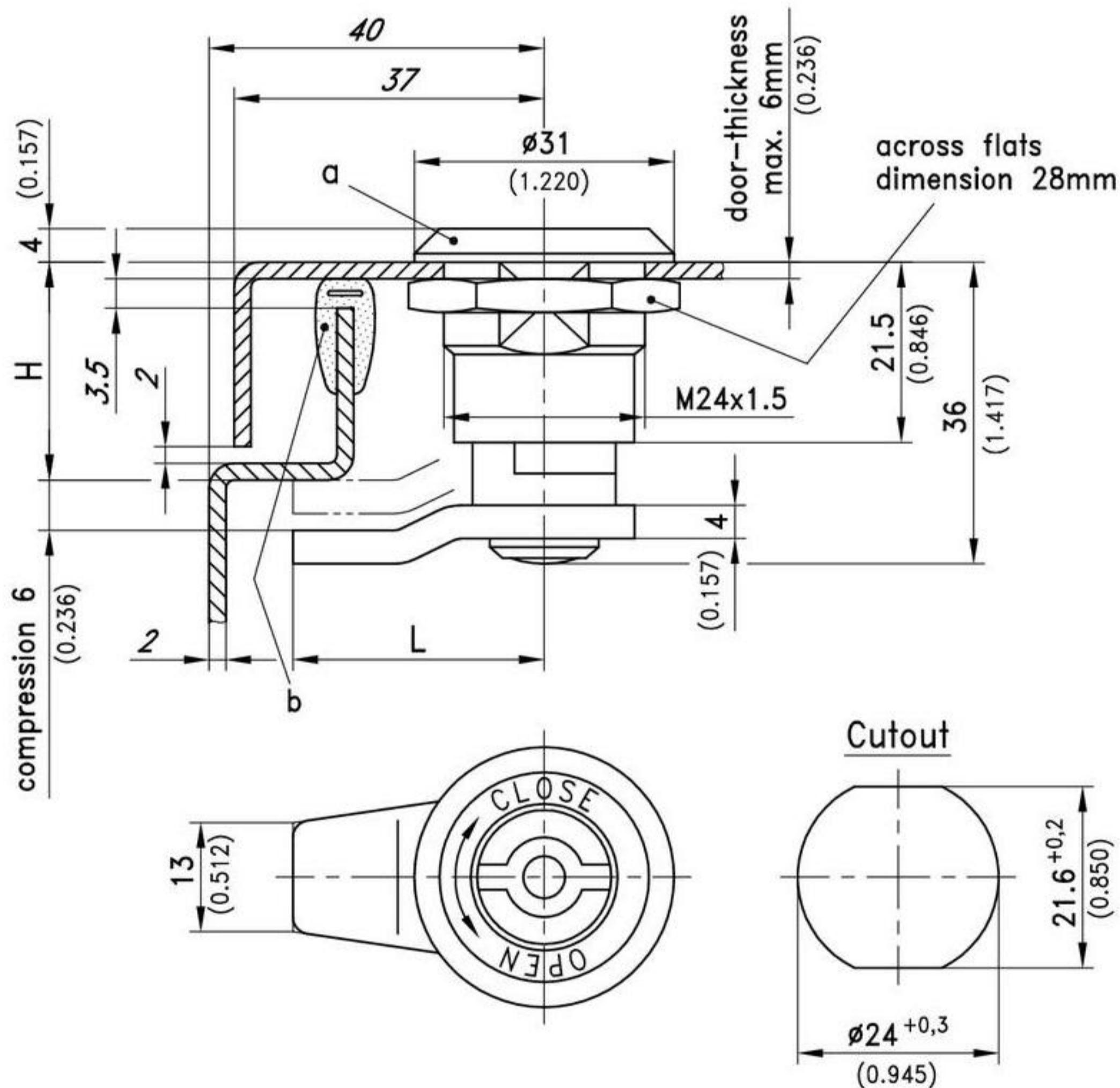


Compression Quarter-Turn with 6mm clamping-grip.

- RH or LH application
- Vibration proof
- The closing process is always clockwise.
- By turning the insert 90° the cam is at first put into closed position.
- Continuing rotation to the right will pull the cam towards the door.

Material:

- **Housing:** zinc die, zinc plated
- **Insert:** brass, nickel plated
- **Spring and Cam:** stainless steel
- **Nut:** steel, zinc plated



a) Compression Quarter-Turn	H 18/L 30	H 21,5/L 30	H 27/L 30	H 20/L 45	H 21,5/L 45	see page
Insert						
Square 7	248-9001.35	248-9009.35*	248-9017.35	248-9025.35*	248-9033.35	
Square 8	248-9002.35*	248-9010.35*	248-9018.35	248-9026.35*	248-9034.35	
Triangular 7	248-9003.35	248-9011.35	248-9019.35*	248-9027.35*	248-9035.35	
Triangular 8	248-9004.35*	248-9012.35*	248-9020.35	248-9028.35*	248-9036.35*	
Triangular 10	248-9005.35*	248-9013.35*	248-9021.35*	248-9029.35*	248-9037.35*	
Double bit 3 pin	248-9006.35	248-9014.35*	248-9022.35*	248-9030.35*	248-9038.35	
Double bit 5 pin	248-9007.35*	248-9015.35*	248-9023.35	248-9031.35*	248-9039.35*	
Slotted 2x4mm deep	248-9008.35*	248-9016.35	248-9024.35	248-9032.35*	248-9040.35*	
b) e.g. Clip-on profile	209-0302.00	209-0302.00	209-0302.00	209-0302.00	209-0302.00	07.9

* Price and delivery time on request